

Date: _____ Location: _____
 Product: _____ Project: _____
 Quantity: _____ Catalog #: _____

LED LOC-GDHB High Bay Light HV Series



FEATURES

- IP65 rated
- Optional microwave sensor and emergency backup
- Easy installation and maintenance
- Corrosion and rust proof
- 50,000 hours lifetime

SUITABLE APPLICATIONS

- Warehouses
- Stadiums
- Factories
- Supermarkets
- Logistic Centers
- Exhibition Halls

CONSTRUCTION:

Unique design with built-in sensor. The lens has a spherical design and can emit light evenly. Each product is equipped with a shorting cap which is convenient for customers to replace the sensor.

OPTICAL SYSTEM:

Seoul SMD LED chips. 60° or 120° beam angle options.

WARRANTY:

5-year limited warranty. Actual performance may differ as a result of end-user environment and application.

ELECTRICAL:

Available as 120-347V or 277-480V input. 8FT cord comes standard on 120-347V. 5FT cord comes standard on 277-480V. -40°C to 50°C, -40°F to 122°F

INSTALLATION & MOUNTING:

Hanging hook or U-Bracket.

CONTROLS & DIMMING:

0-10V dimming comes standard. Suitable for use with LED dimmers. Motion sensor and remote-control options available.



277-480V Models – 5FT cord comes standard

| MODEL NUMBER – 5,000K | WATTAGE | LUMENS | EFFICACY | CRI | POWER FACTOR | THD | REPLACES |
|------------------------------|---------|----------|----------|-----|--------------|-------|-------------------|
| LOC-GDHB-150W50KD-HV[MS;NS]C | 150W | 22,110LM | 146lm/W | 70 | 0.9 | 10.2% | 400W – 600W HID |
| LOC-GDHB-200W50KD-HV[MS;NS]C | 200W | 29,537LM | 146lm/W | 70 | 0.9 | 10.6% | 600W – 750W HID |
| LOC-GDHB-250W50KD-HV[MS;NS]C | 250W | 36,855LM | 146lm/W | 70 | 0.9 | 9.2% | 750W – 1,000W HID |

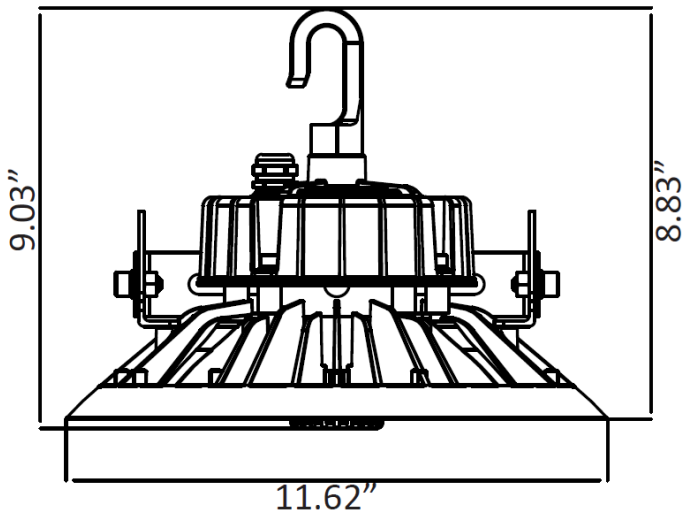
DLC Product ID:

- LOC-GDHB-150W50KD-HV – PL50TMPQARTN
- LOC-GDHB-200W50KD-HV – PLB5CRBAYCQY
- LOC-GFHB-250W50KD-HV – PLDDA5ZEP2Q2

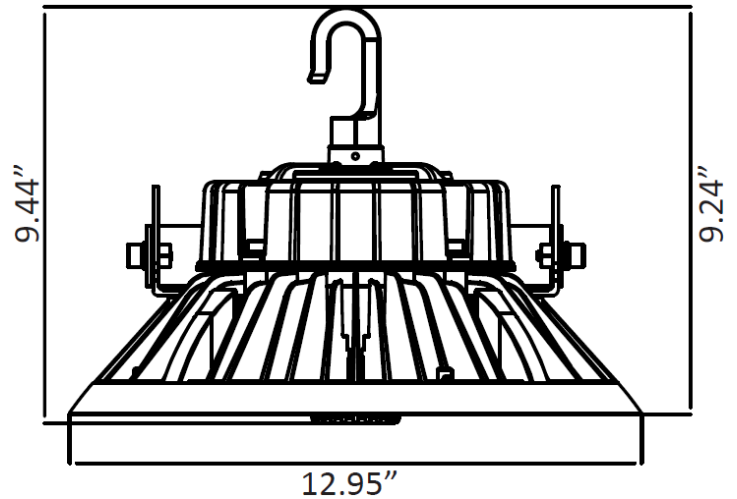
| | | | | |
|---------------------------------------|--|------------------------------|---|---|
| Series LOC-GDHB | Wattage 150W 200W 250W | CCT Options 5,000K | Dimming Options 0-10V Dimming Integrated Motion Sensor | Voltage Options HV = 277-480VAC |
| Optional MS - Motion Sensor | Beam Angle 60° 120° | | | |

MEASUREMENTS (277-480V)

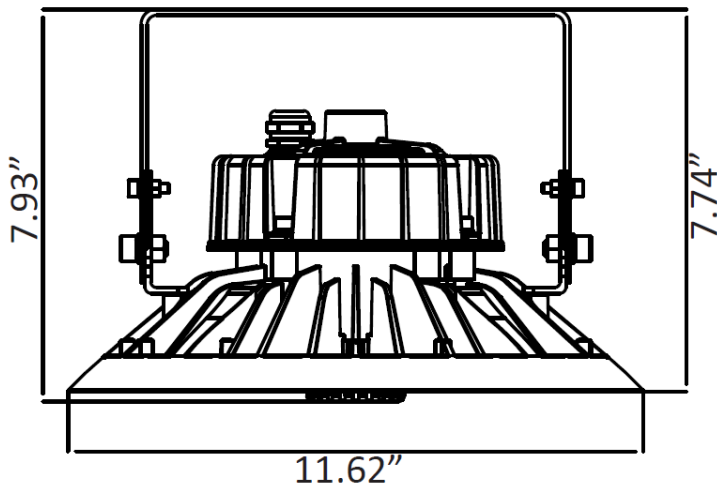
150W w/ Hook



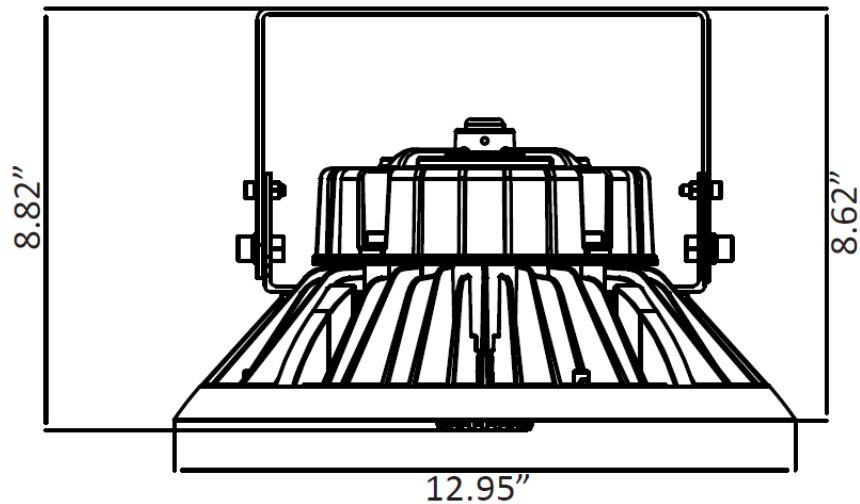
200W – 250W w/ Hook



150W w/ U-Bracket

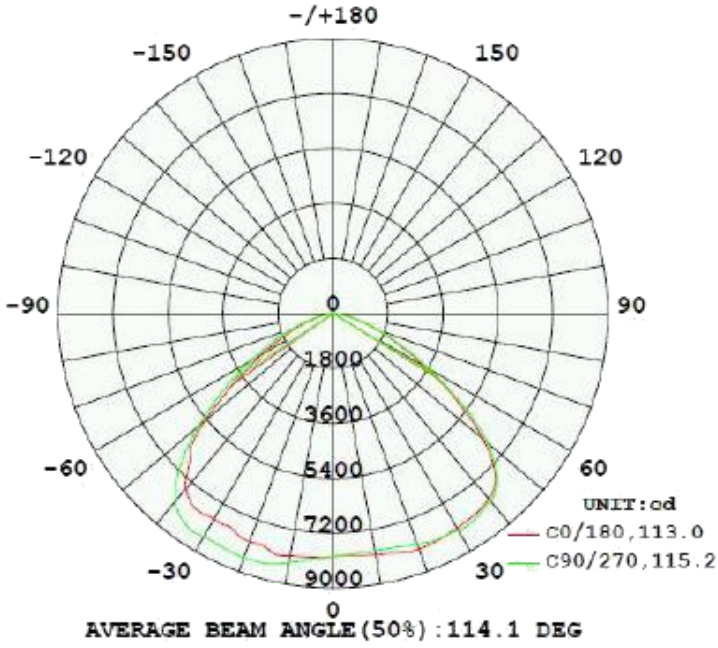


200W – 250W w/ U-Bracket



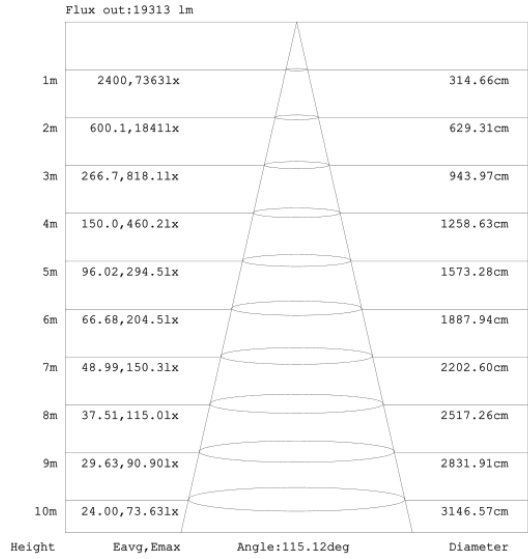
| MODEL | QUANTITY | WEIGHT | UPC CODE |
|------------------------------|----------|-----------|----------------|
| LOC-GDHB-150W50KD-HV[MS;NS]C | 1 | 7.05 lbs | 00815586029419 |
| LOC-GDHB-200W50KD-HV[MS;NS]C | 1 | 11.68 lbs | 00815586029426 |
| LOC-GDHB-250W50KD-HV[MS;NS]C | 1 | 11.68 lbs | 00815586029433 |

150W

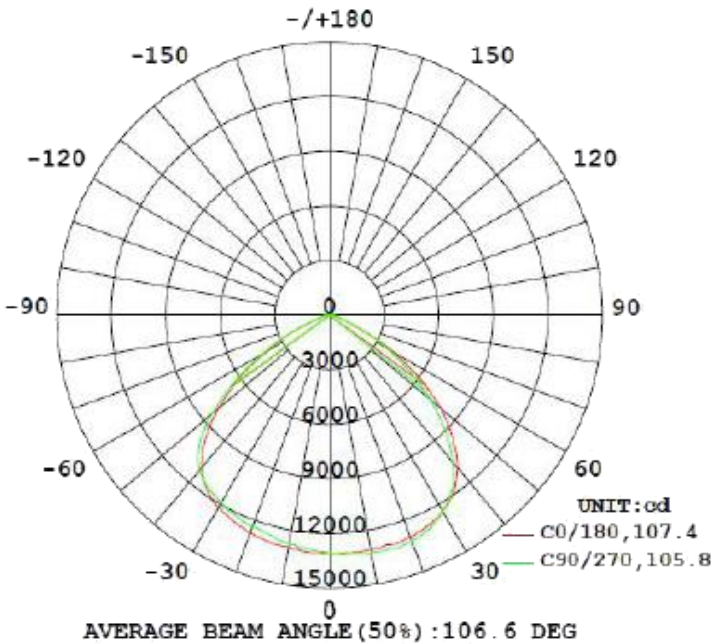


AAI Figure

| | | |
|---|-----------|----------------------|
| Test: U:120.04V I:1.2721A P:151.81W PF:0.9942 Freq:60.01Hz Lamp Flux:23080.4x1 lm | | |
| NAME: LED Fixed Luminaire | TYPE: LED | WEIGHT: N/A |
| SPEC.: N/A | DIM.: | SERIAL No.: N/A |
| MFR.: LED One Corporation | SUR.: | Shielding Angle: N/A |

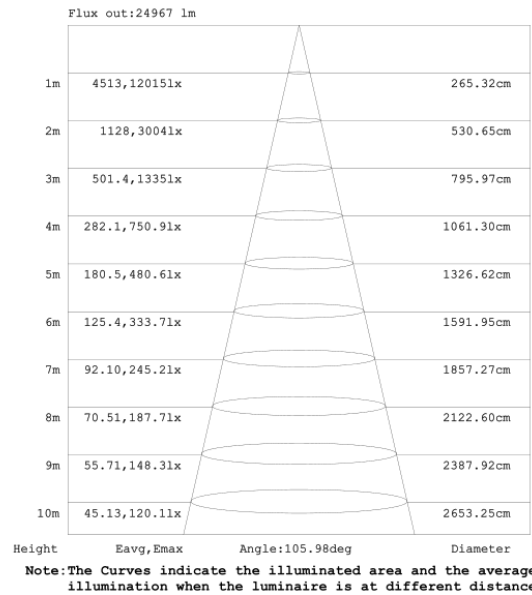


200W



AAI Figure

| | | |
|---|-----------|----------------------|
| Test: U:120.17V I:1.6828A P:201.76W PF:0.9977 Freq:60.01Hz Lamp Flux:30893.8x1 lm | | |
| NAME: LED Fixed Luminaire | TYPE: LED | WEIGHT: N/A |
| SPEC.: N/A | DIM.: | SERIAL No.: N/A |
| MFR.: LED One Corporation | SUR.: | Shielding Angle: N/A |

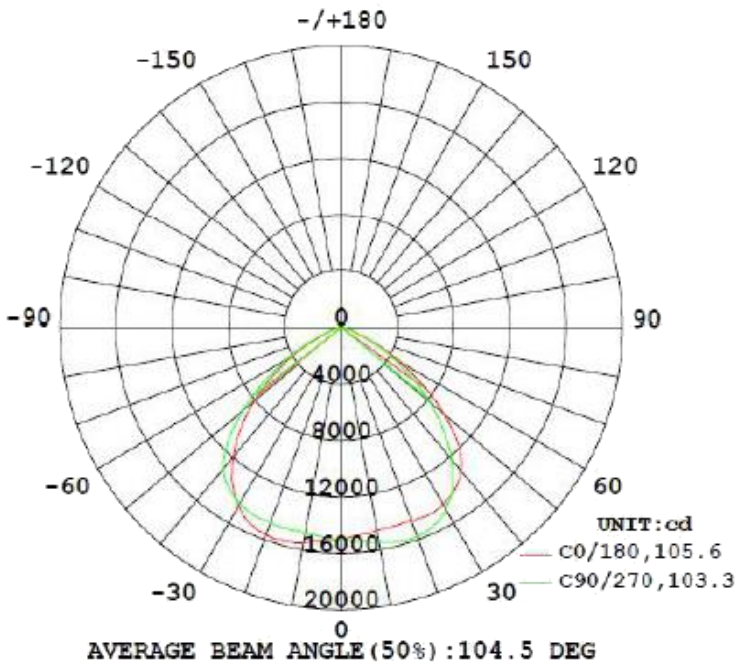


PHOTOMETRIC DATA

250W

AAI Figure

| | | |
|--|----------|---------------------|
| Test:U:120.08V I:2.1233A P:254.36W PF:0.9977 Freq:60.01Hz Lamp Flux:38835.4x1 lm | | |
| NAME: LED Fixed Luminaire | TYPE:LED | WEIGHT:N/A |
| SPEC.:N/A | DIM.: | SERIAL No.:N/A |
| MFR.: LED One Corporation | SUR.: | Shielding Angle:N/A |



Flux out:30995 lm

| Height | Eavg, Emax | Angle:103.30deg | Diameter |
|--------|---------------|-----------------|-----------|
| 1m | 6022,15210lx | | 252.80cm |
| 2m | 1506,3803lx | | 505.61cm |
| 3m | 669.1,1690lx | | 758.41cm |
| 4m | 376.4,950.6lx | | 1011.21cm |
| 5m | 240.9,608.4lx | | 1264.02cm |
| 6m | 167.3,422.5lx | | 1516.82cm |
| 7m | 122.9,310.4lx | | 1769.62cm |
| 8m | 94.10,237.7lx | | 2022.43cm |
| 9m | 74.35,187.8lx | | 2275.23cm |
| 10m | 60.22,152.1lx | | 2528.03cm |

Note: The Curves indicate the illuminated area and the average illumination when the luminaire is at different distance.

MOUNTING OPTIONS



U-Bracket (optional) or Hook

OPTIONAL ACCESSORIES



Motion Sensor
HD06VCRH
(Compatible with remote control)



Remote Control
LOC-GDHB-HD05R



Photocell
HS05
(Compatible with remote control)



Emergency Driver
LOC-HBEMDR-25WHV



Reflector