

Date: \_\_\_\_\_ Location: \_\_\_\_\_  
 Product: \_\_\_\_\_ Project: \_\_\_\_\_  
 Quantity: \_\_\_\_\_ Catalog #: \_\_\_\_\_

## LED LOC-LHB V2 Linear High Bay Light Series



**110W or 160W**

### FEATURES

- IP54 rated
- Easy installation and maintenance
- 100,000 hours lifetime

### SUITABLE APPLICATIONS

- Warehouses
- Stadiums
- Factories
- Supermarkets
- Logistic Centers
- Exhibition Halls

#### CONSTRUCTION:

PMMA lens material. Steel and aluminum body.

#### OPTICAL SYSTEM:

Samsung 2835 LED chips. Frosted lens. 120° beam angle options.

#### WARRANTY:

5-year limited warranty. Actual performance may differ as a result of end-user environment and application.

#### ELECTRICAL:

Available as 120-277V input. -20°C to 40°C, -4°F to 104°F

#### INSTALLATION & MOUNTING:

Hanging hook or pendant mount.

#### CONTROLS & DIMMING:

0-10V dimming comes standard. Suitable for use with LED dimmers. Motion sensor and remote-control options available.

#### Special Order:

- Other CCTs



MODEL NUMBER – 5,000K	WATTAGE	LUMENS	EFFICACY	CRI	POWER FACTOR	THD	REPLACES
LOC-LHB110W-50K-V2-[Blank,EM]-[Blank,MS]	110W	15,207LM	137LM/W	80	0.9	20%	250W HID
LOC-LHB160W-50K-V2-[Blank,EM]-[Blank,MS]	160W	22,057LM	137LM/W	80	0.9	20%	400W HID

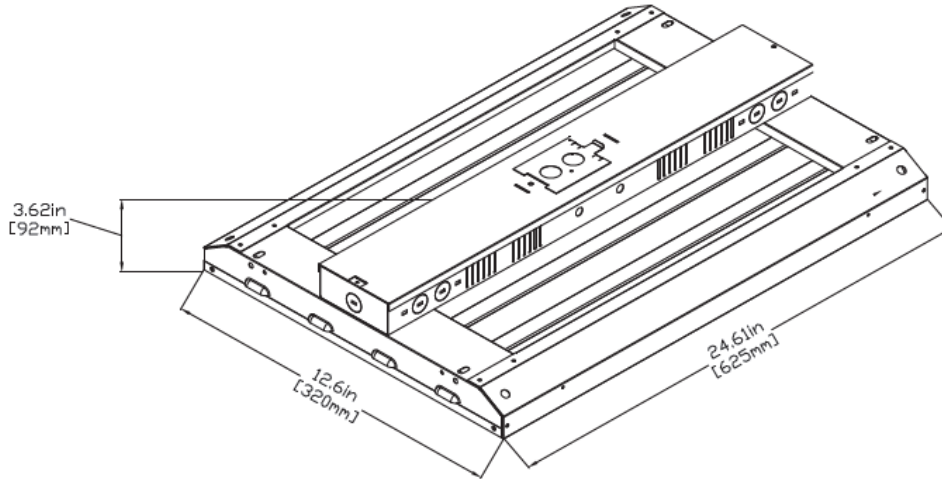
#### DLC Product ID:

- LOC-LHB110W-50K-V2 – S-6G2TEO
- LOC-LHB160W-50K-V2 – S-HY5VPB

# LED LOC-LHB V2 Linear High Bay Light Series

Series	Wattage	CCT Options	Dimming Options	Version	Optional
LOC-LHB	110W 160W	5,000K	0-10V Dimming Integrated Motion Sensor	V2 = Version 2	MS - Motion Sensor EM – Emergency Battery

## MEASUREMENTS



110W or 160W

MODEL	QUANTITY	WEIGHT	UPC CODE
LOC-LHB110W-50K-V2-[Blank,EM]-[Blank,MS]	1	10.80 lbs	00815586025046
LOC-LHB160W-50K-V2-[Blank,EM]-[Blank,MS]	1	10.80 lbs	00815586021406

## MOUNTING OPTIONS



Pendant Mount



Chain & Hook

## OPTIONAL ACCESSORIES



Non-Dim Motion Sensor  
LOD-BRI819P-B-O



Motion Sensor  
LOD-BRI819P-B-D

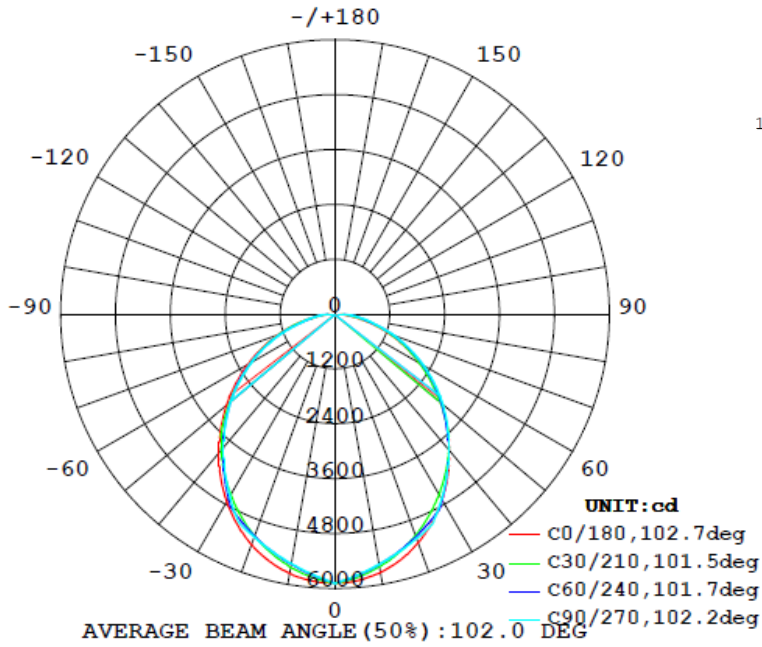


Remote Control  
LOC-RC100

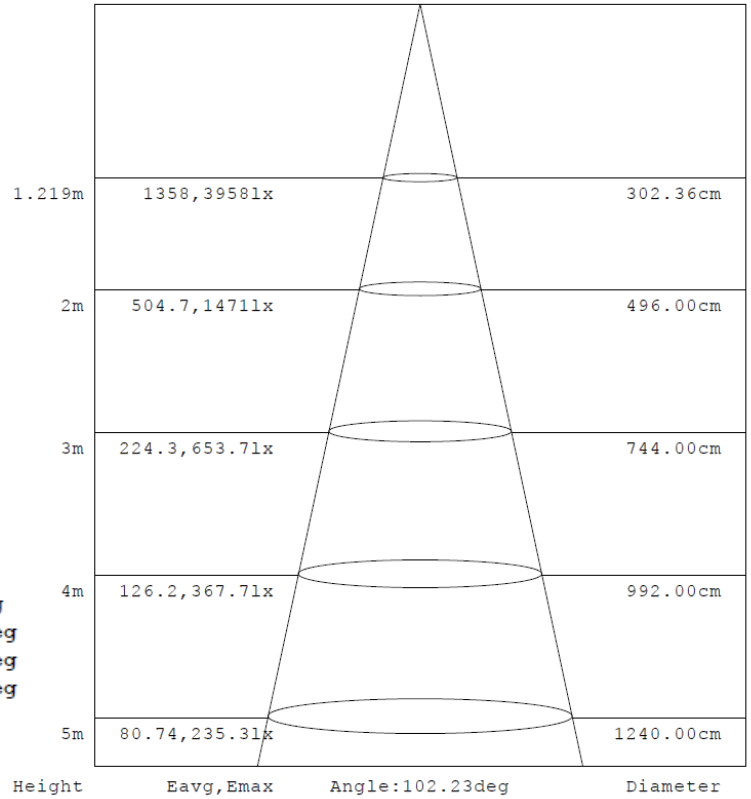


Emergency Driver  
LOC-EMDR-25WHV

## 110W

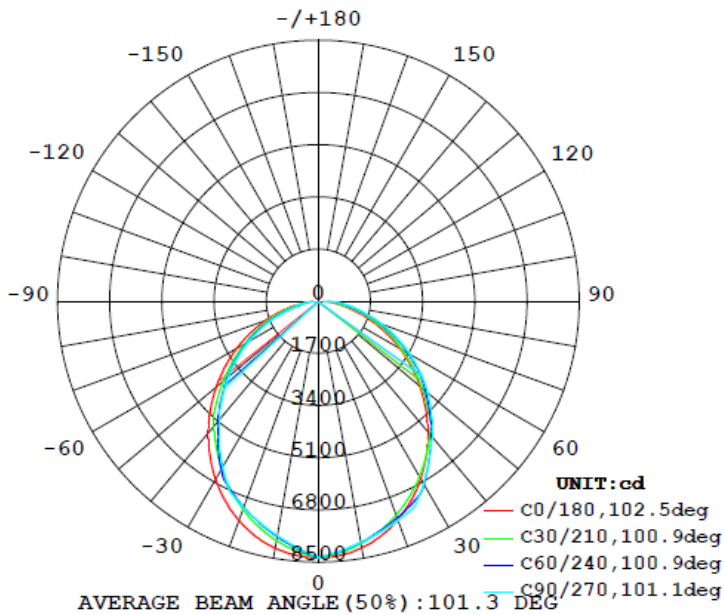


Flux out: 10023 lm

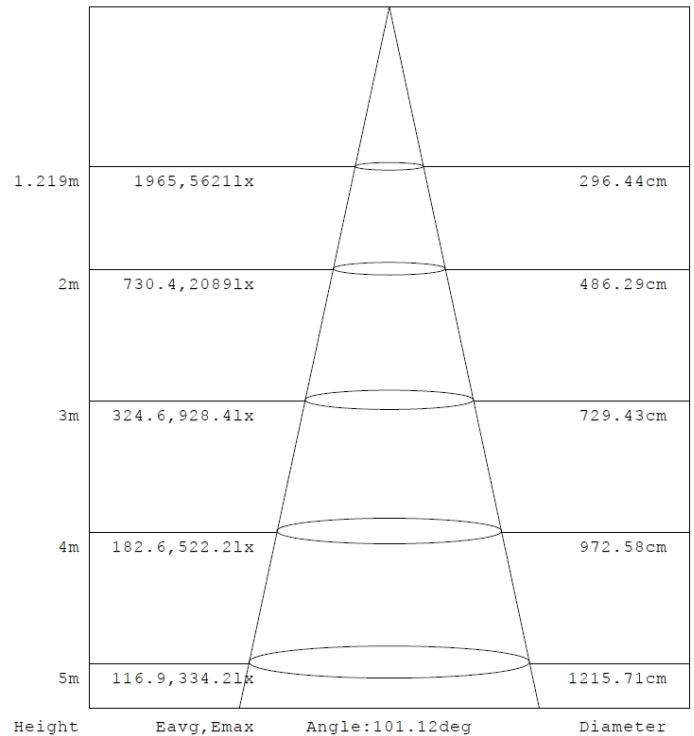


Note: The Curves indicate the illuminated area and the average illumination when the luminaire is at different distance.

## 160W



Flux out: 13996 lm



Note: The Curves indicate the illuminated area and the average illumination when the luminaire is at different distance.