

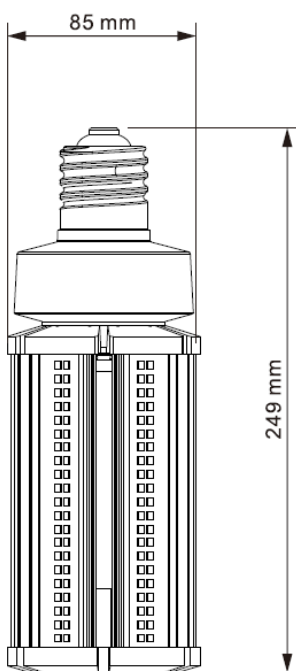
PRODUCT DESCRIPTION:

The corn light is mostly used for industrial and commercial applications such as road and area lighting, parking decks, auto dealerships, high masts, housing complexes, shopping malls, sporting complexes and fields, parks and recreational areas and municipal lots.

FEATURES:

- Samsung 2835 LED chips
- Omnidirectional
- Flame retardant material
- Isolated driver, better for heat dissipation
- Driver with heat silicone for waterproof, dust-proof and anti-mosquitoes

DIMENSIONS:



45W Corn Light Spec

LOD-MCL-45W50KHL-V2

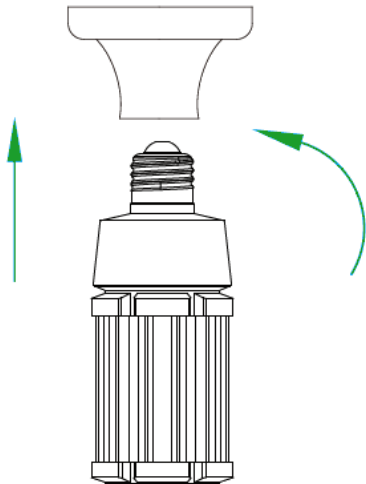


SPECIFICATIONS:

SPECIFICATION	Details
Model	LOD-MCL-45W50KHL-V2
Input Wattage (W)	45W
Lumens Delivered (LM)	5,027.5LM
Efficacy (LM/W)	112.8LM/W
CRI	84.1
Lifespan	50,000 hours
Color Temperature	5,000K
Wattage Equivalent	200W HID
Dimmable	
IP Rating	IP64
Input Voltage	AC100-277V
Power Factor	0.927
Housing	Aluminum + PC
Lens	Clear
Mounting	E39
THD	9.7%
Beam Angle	
Weight (LBS)	1.60 lbs
Size	9.80" x 3.34" x 3.34"
Certification	DLC, UL
Operating Temperature	-40°C to 60°C (40°F to 140°F)
Environment	Inside
Warranty	5 years limited



Lamp Installation



Step:1

Shown as Figure 1
Remove old ballast or disconnect from existing lamp holder. Remove and dispose of ballast in correct manner.
(North America 100-277VAC)

Step:2

Shown as Figure 2
Reconnect directly to the existing lamp holder.
(North America 100-277VAC)

Step:3

Shown as Figure 3
Install new LED replacement lamp. Please make sure the old fitting is correctly earth.
(North America 100-277VAC)

