

Date: _____ Location: _____
 Product: _____ Project: _____
 Quantity: _____ Catalog #: _____

LED Modular Stadium / Flood Light Series



100W



150W



200W



300W & 400W



500W



600W



800W



1,000W

FEATURES

- IP66 rated
- Rust and corrosion proof
- 50,000 hours lifetime

SUITABLE APPLICATIONS

- Area lighting
- Parking decks
- Auto dealerships
- High masts
- Housing complexes
- Shopping malls
- Sporting complexes
- Parks and Recreational areas
- Municipal lots



CONSTRUCTION:

Heavy duty die-cast aluminum housing. High quality tempered glass optics. Polyester powder-coated finish. Stabilized to extreme climate changes without cracking or peeling.

OPTICAL SYSTEM:

Philips Lumileds 3030 LED chips. 135°x70° beam angle. High quality tempered glass optics.

WARRANTY:

5-year limited warranty. Actual performance may differ as a result of end-user environment and application.

ELECTRICAL:

Available as 100-277V input. -30°C to 45°C, (-30°F to 113°F)

INSTALLATION & MOUNTING:

Mounting bracket.

DIMMING:

100W is non-dimming. 150W - 1,000W are dimmable.

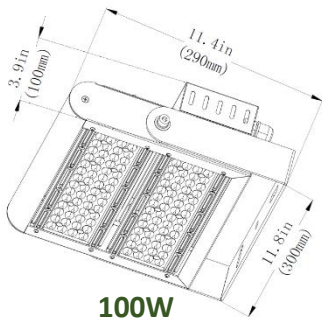
EPA RATING

W	0°	30°	60°
100W	0.29	0.40	0.69
150W	0.29	0.56	0.97
200W	0.29	0.72	1.25
300W	0.29	1.04	1.81
400W	0.29	1.04	1.81
500W	0.83	1.37	2.37
600W	0.83	1.71	2.97
800W	0.83	2.06	3.57
1,000W	1.22	2.53	4.38

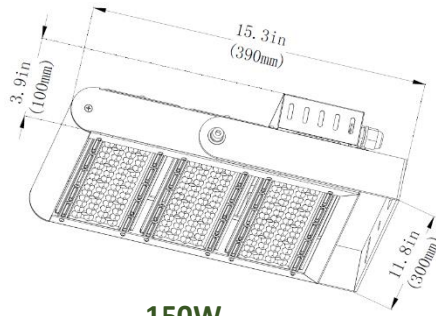
MODEL NUMBER – 5,000K	WATTAGE	LUMENS	EFFICACY	CRI	POWER FACTOR	THD	REPLACES	BUG RATING
LOD-MSL-SF100W-50K	100W	14,000LM	140LM/W	70	0.95	15%	200W	B3-U0-G1
LOD-MSL-SF150W-50KD	150W	21,000LM	140LM/W	70	0.95	15%	400W	B3-U0-G2
LOD-MSL-SF200W-50KD	200W	28,000LM	140LM/W	70	0.95	15%	500W	B4-U0-G2
LOD-MSL-SF300W-50KD	300W	42,000LM	140LM/W	70	0.95	15%	600W	B4-U0-G3
LOD-MSL-SF400W-50KD	400W	48,000LM	120LM/W	70	0.95	15%	1,000W	B5-U0-G3
LOD-MSL-SF500W-50KD	500W	60,000LM	120LM/W	70	0.95	15%	1,000W – 1,200W	B5-U0-G4
LOD-MSL-SF600W-50KD	600W	72,000LM	120LM/W	70	0.95	15%	1,200W – 1,500W	B5-U0-G4
LOD-MSL-SF800W-50KD	800W	96,000LM	120LM/W	70	0.95	15%	1,500W	B5-U0-G4
LOD-MSL-SF1,000W-50KD	1,000W	119,168LM	119.38LM/W	74.1	0.959	7.06%	2,500W	B5-U0-G5

Series	Wattage	Color Temperature
LOD-MSL-SF	100W 500W 150W 600W 200W 800W 300W 1,000W 400W	5000K

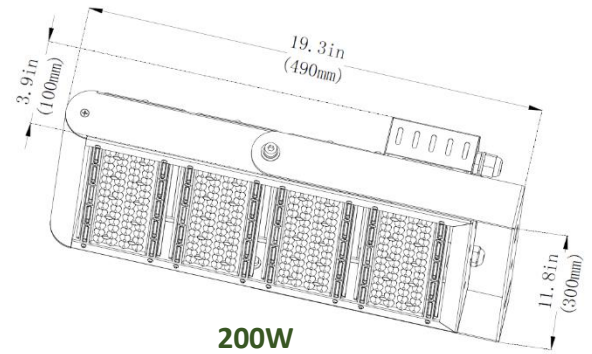
MEASUREMENTS



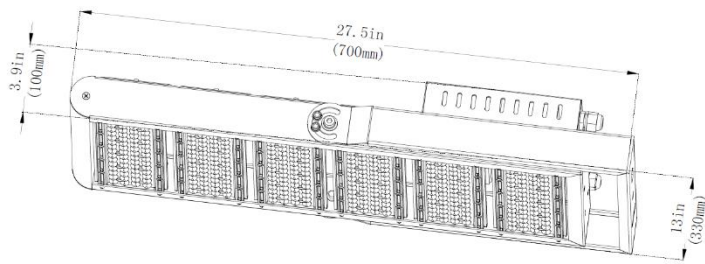
100W



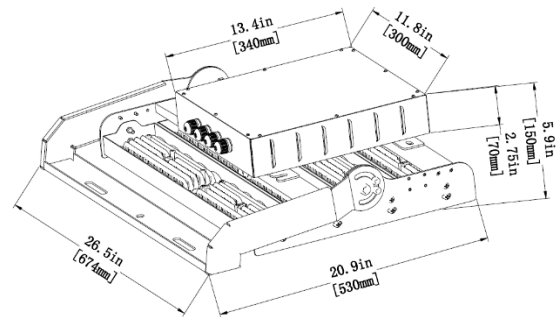
150W



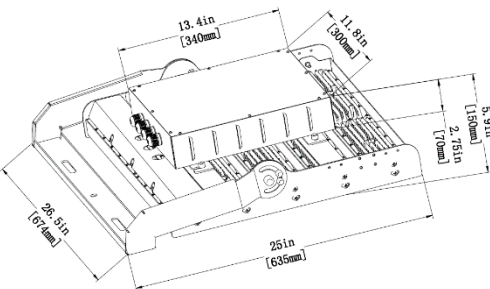
200W



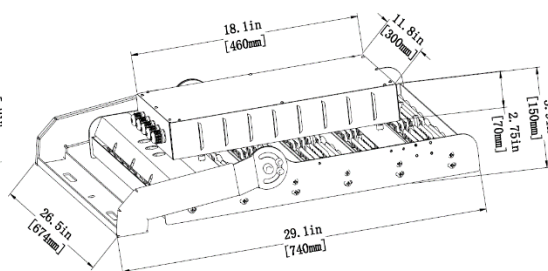
300W & 400W



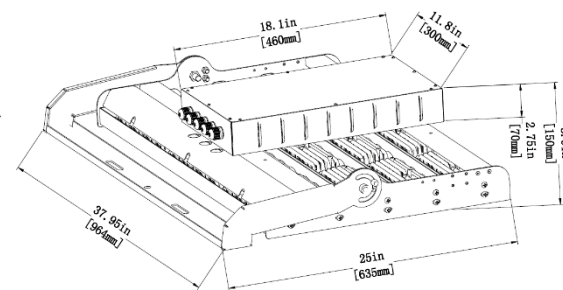
500W



600W



800W



1,000W

MODEL	QUANTITY	WEIGHT	UPC CODE
LOD-MSL-SF100W-50K	1	6.6 lbs	00815586028283
LOD-MSL-SF150W-50KD	1	8.8 lbs	00815586028290
LOD-MSL-SF200W-50KD	1	13.2 lbs	00815586028306
LOD-MSL-SF300W-50KD	1	17.6 lbs	00815586028320
LOD-MSL-SF400W-50KD	1	17.6 lbs	00815586028337
LOD-MSL-SF500W-50KD	1	35.3 lbs	00815586028344
LOD-MSL-SF600W-50KD	1	46.3 lbs	00815586028351
LOD-MSL-SF800W-50KD	1	61.7 lbs	00815586028368
LOD-MSL-SF1000W-50KD	1	77.2 lbs	00815586028375