

LED LOC-WP Wall Pack Light



40W & 120W

FEATURES

- IP65 rated
- Easy installation and maintenance
- Corrosion and rust proof
- Semi cut-off
- 50,000 hours lifetime

SUITABLE APPLICATIONS

- Warehouses
- Stadiums
- Factories
- Parking Lots
- Shopping Malls
- Supermarkets
- Logistic Centers
- Auto dealerships

CONSTRUCTION:

Heavy die-cast aluminum housing with polyester powder-coated finish. Integral secondary heat sink to optimize thermal transfer and maximize performance of the LEDs. Driver is mounted in direct contact with the casting for low operating temperature.

OPTICAL SYSTEM:

Seoul 2835 LED chips. High quality tempered glass optics. 120° beam angle.

WARRANTY:

5-year limited warranty. Actual performance may differ as a result of end-user environment and application.

ELECTRICAL:

Available as 120-277V input. -20°C to 50°C, -4°F to 122°F

INSTALLATION & MOUNTING:

Wall Mounting with quick mount back plate for easy installation.

CONTROLS & DIMMING:

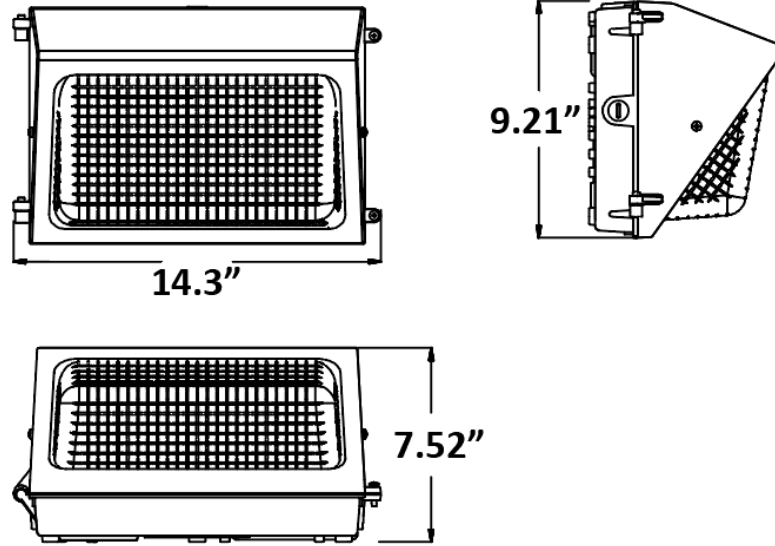
0-10V dimming comes standard. Photocell is included.



MODEL NUMBER	WATTAGE	LUMENS	EFFICACY	CRI	POWER FACTOR	THD	REPLACES
LOC-WP-40W40KD-LV	40W	5,720LM	143LM/W	80	0.9	20%	70W – 150W HID
LOC-WP-40W50KD-LV	40W	5,800LM	145LM/W	80	0.9	20%	70W – 150W HID
LOC-WP-120W50KD-LV	120W	17,400LM	145LM/W	80	0.9	20%	320W – 400W HID

Series	Wattage	Color Temperature	Dimming	Voltage
LOC-WP	40W 120W	4000K 5000K	Dimmable	LV = 120-277V

MEASUREMENTS

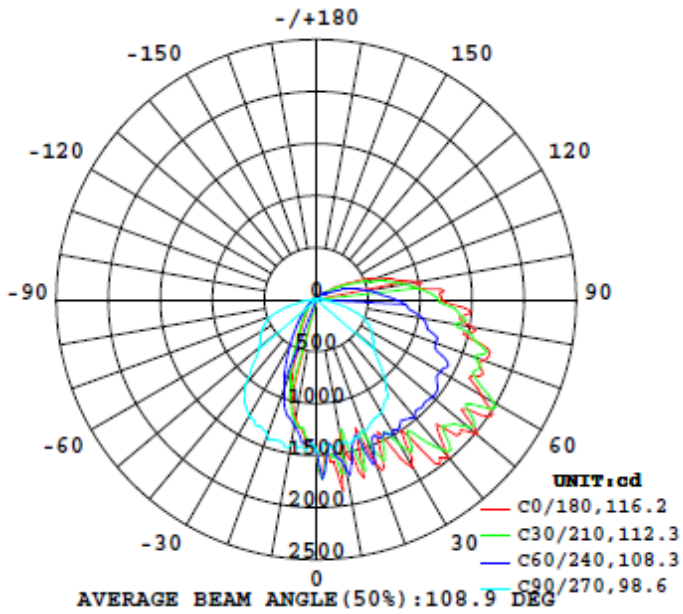


40W & 120W

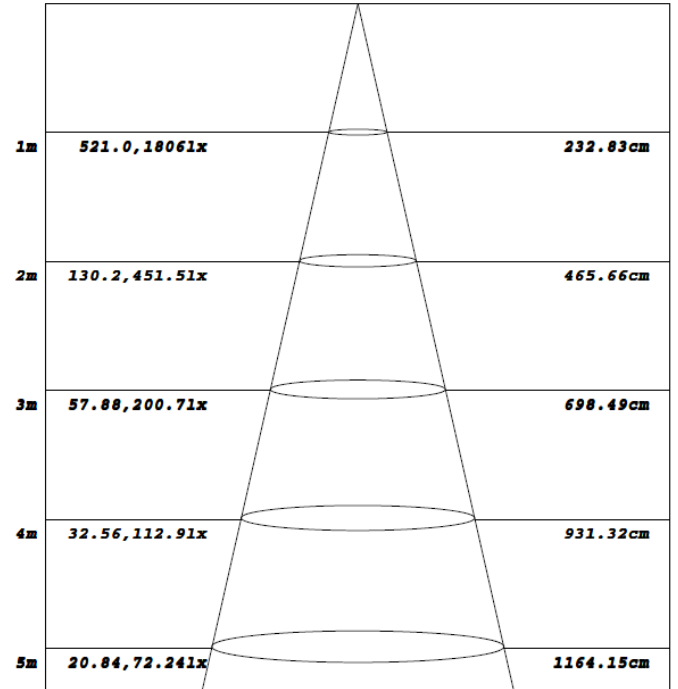
MODEL	QUANTITY	WEIGHT	UPC CODE
LOC-WP-40W50KD-LV	1	8.14 lbs	
LOC-WP-40W50KD-LV	1	8.14 lbs	00815586029181
LOC-WP-120W50KD-LV	1	9.33 lbs	00815586029273

40W

BUG Rating: B2-U3-G3



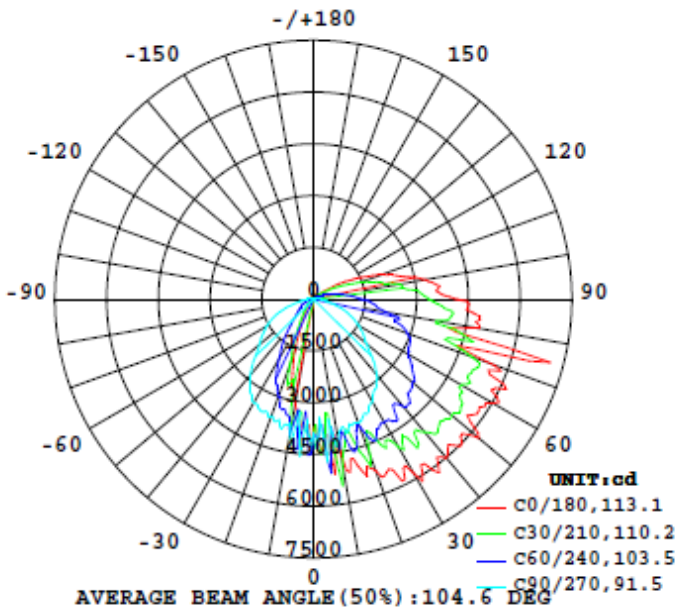
Flux out: 2325 lm



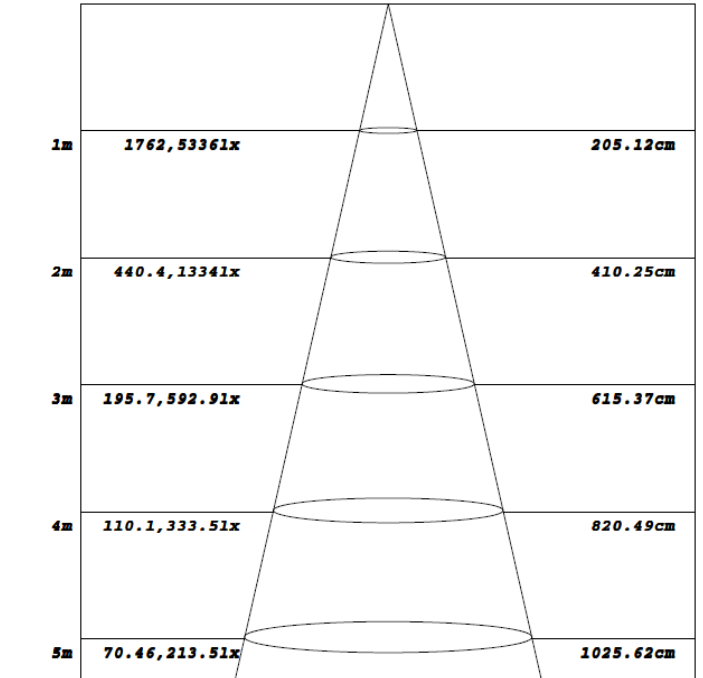
Note: The Curves indicate the illuminated area and the average illumination when the luminaire is at different distance.

120W

BUG Rating: B3-U5-G5



Flux out: 5934 lm



Note: The Curves indicate the illuminated area and the average illumination when the luminaire is at different distance.