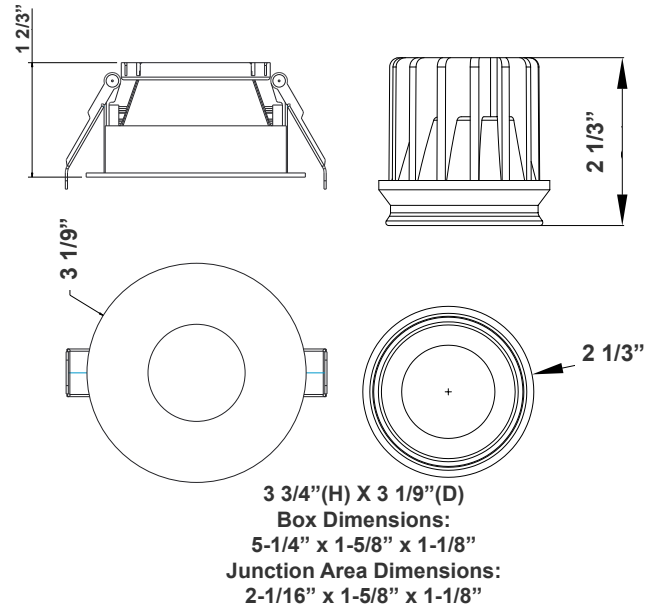
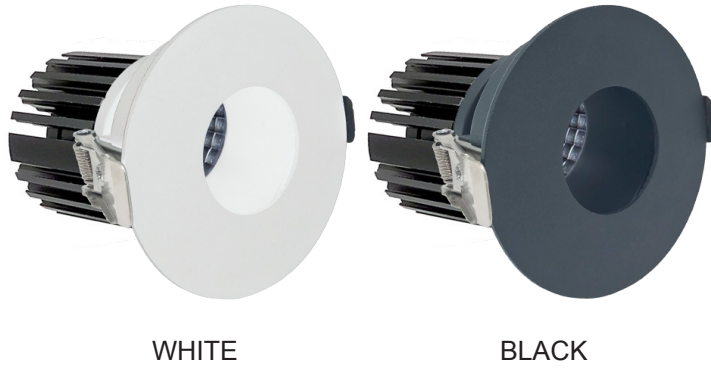


LRD SERIES RESIDENTIAL LIGHTING

- LRD-7W-27K-3WTRPH
 - LRD-7W-30K-3WTRPH
 - LRD-7W-35K-3WTRPH
 - LRD-7W-40K-3WTRPH
 - LRD-7W-50K-3WTRPH
- 3" LED ARCHITECTURAL WINGED PIN HOLE RECESSED LIGHTS

Customer Name: _____
 Project Name: _____
 Note: _____ | Type: _____



Ideal for New as well as old residential and commercial constructions.

Features

- 3" (2-1/8" Actual) LED Pin Hole Recessed Trim
- Die-cast Aluminum with white powder coat finish
- 5-Year Warranty
- Junction Box Included With Fixture

Technical Specifications

Electrical:

- Voltage: 120VAC
- Wattage: 7W
- Power factor: >0.90
- Efficacy: Up to 70 LM/W

Mechanical:

- Up to 9 AWG18 Wires
- Die-Cast Aluminum With White Powder Coat Finish
- Clear Glass Lens
- Junction Box Rated Up to 9 AWG18 Wires
- Type IC rated: Approved for Direct Contact With Insulation
- Operating temperature: 104°F
- Air-Tight and Type IC Rated: No Housing Required
- Damp Location Approved
- 5-Year Warranty

Lighting:

- Dimming: Dimmable Down to 10% Using Standard TRIAC LED Dimmer
- Total Lumens: 490LM
- Color Temperature: 2700K/3000K/3500K/4000K/5000K
- Color Rendering index: >90
- Beam Angle: 10°
- Lifespan: 50,000 Hrs.

Applications:

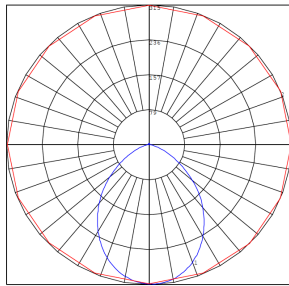
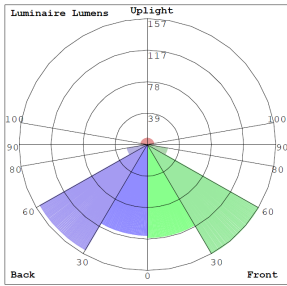
- Ideal for New as well as old residential and commercial constructions.

Other Models:

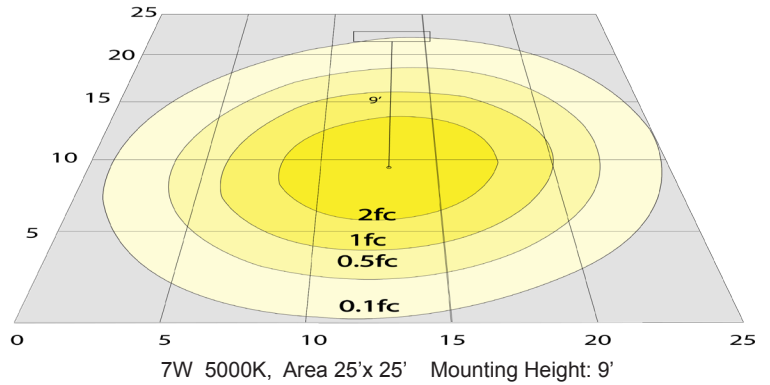
- 10W | 700LM | LRD-10W-27K-3WTRPH-WH/BK
- 10W | 700LM | LRD-10W-30K-3WTRPH-WH/BK
- 10W | 700LM | LRD-10W-35K-3WTRPH-WH/BK
- 10W | 700LM | LRD-10W-40K-3WTRPH-WH/BK
- 10W | 700LM | LRD-10W-50K-3WTRPH-WH/BK



Photometrics: LRD-7W-3WTRPH



BUG Rating: B1-U1-G0



7W 5000K, Area 25'x 25' Mounting Height: 9'

Other Views:



- LRD-WTR3PH-WH
- LRD-WTR3PH-WH
- LRD-WTR3PH-WH
- LRD-WTR3PH-WH
- LRD-WTR3PH-WH

- LRD-EGN-7W-27K-D
- LRD-EGN-7W-30K-D
- LRD-EGN-7W-35K-D
- LRD-EGN-7W-40K-D
- LRD-EGN-7W-50K-D

- LRD-7W-27K-3WTRPH-WH
- LRD-7W-30K-3WTRPH-WH
- LRD-7W-35K-3WTRPH-WH
- LRD-7W-40K-3WTRPH-WH
- LRD-7W-50K-3WTRPH-WH



- LRD-WTR3PH-BK
- LRD-WTR3PH-BK
- LRD-WTR3PH-BK
- LRD-WTR3PH-BK
- LRD-WTR3PH-BK

- LRD-EGN-7W-27K-D
- LRD-EGN-7W-30K-D
- LRD-EGN-7W-35K-D
- LRD-EGN-7W-40K-D
- LRD-EGN-7W-50K-D

- LRD-7W-27K-3WTRPH-BK
- LRD-7W-30K-3WTRPH-BK
- LRD-7W-35K-3WTRPH-BK
- LRD-7W-40K-3WTRPH-BK
- LRD-7W-50K-3WTRPH-BK

Performance Table: LRD-7W-3WTR

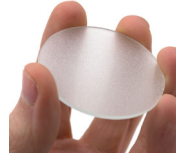
MODEL NO.	Wattage	Voltage	Lumens	Color Temp.	BUG Rating	LPW
LRD-7W-27K-3WTRPH	7W	120V	490LM	2700K	B1-U1-G0	70
LRD-7W-30K-3WTRPH				3000K		
LRD-7W-35K-3WTRPH				3500K		
LRD-7W-40K-3WTRPH				4000K		
LRD-7W-50K-3WTRPH				5000K		



Accessory:

Blank = No Option For Accessories
LRD-FGL = LRD SERES FROSTED GUASS LENS

Accessory:



LRD-FGL

Sample Ordering

Model	Wattage	Color Temp.	Size	Size
LRD	7W	<input type="text"/>	3WTRPH	<input type="text"/>
		27K = 2700K 30K = 3000K 35K = 3500K 40K = 4000K 50K = 5000K		WH = WHITE BK = BLACK

