



Project	
Notes	
Type	Date
Cat. No.	



LVTS™ Series CCT Adjustable Vaportight LED Strip

DESCRIPTION

The LVTS series is a next generation LED Vapor Tight fixture that provides maximum light output with durable construction. It is ideal for featuring a one piece polycarbonate housing and lens. The LVTS was designed to meet or exceed IES recommended foot-candle levels at installed heights for parking garages. Ideal for utility lighting, parking garages and stairwells; where meeting applicable building and safety codes is required.

Specification

Construction

UV stabilized, injection molded, impact resistant, polycarbonate housing. 20 gauge steel channel cover, lens design and materials provide uniform appearance without pixelation.

Certification

All luminaires are built to UL 1598 and 2108 standards, and bear appropriate ETL labels. Wet location labeling is standard. Emergency equipped fixtures labeled UL924. Adheres to LM70, LM80, and TM21 industry standards. DesignLights Consortium® (DLC) DLC qualified product. Not all models of this product may be DLC qualified. Please check the DLC Qualified Products List at www.designlights.org/QPL to confirm which models are qualified.

Warranty

5-year Limited Warranty. See warranty documentation for more information.

Electrical

Equipped standard with 0-10V continuous dimming driver that works with any standard 0-10V control/dimmer. Long-Life LED's 60,000 hours at L80 with projected life over 100,000 hours for reduced life cycle maintenance costs. Luminaire can be ceiling or suspend mounted. Power connection is easily accommodated through pre-drilled holes at each end, watertight plugs ship standard on each end.

Installation

Quick mounting clips included. Suitable for suspension or surface mounting.

Options

Optional On/Off Motion Sensor, high voltage transformer, emergency battery backups, whips and cords.

LVTS Series

- 48" Housing**
34W (4,420 Lumens)
45W (5,850 Lumens)
- 96" Housing**
55W (7,150 Lumens)



Rated Life 60,000 hours
Limited Warranty 5 years
Efficacy 140-150 lm/W
Continuous Dimming



Quick Ship
*Available first quarter of 2020

LVTS-34-MVD-830/40/50
LVTS-45-MVD-830/40/50

Ordering Information

Example: LVTS-45-MVD-830/40/50-OS

LVTS	45	MVD	8	30/40/50
Series LVTS CCT Adjustable Vaportight LED Strip	Rated Wattage 48" Housing 34- 34W (4,420 Lumens) ² 45- 45W (5,850 Lumens) ² 96" Housing 8-55- 55W (7,150 Lumens) ²	Driver Type MV- 120-277V ¹ MVD- 120-277V; 0-10V Dimming ² HVD-347-480V,0-10V Dimming ¹ HV-347-480V ¹	CRI 8 80+ CRI	Color Temp 30/40/50 3000K, 4000K 5000 K ² Adjustable Switch
Options				
		Emergency Backup EML8 800lm EML16 1600lm	Controls OS- Fixture Mounted Occupancy Sensor, On/Off MOS- Integral Microwave Sensor, On/Off MOSB-Integral Bi-Level Microwave Sensor MOSB-FM- Microwave Bi-Level Sensor Fixture mount	Accessories FW3 6' 3 Wire Fixture Whip FW4 6' 4 Wire Fixture Whip

Specifications and Dimensions subject to change without notice

Performance Summary

Input Voltage	120-277V
Input Frequency	50/60 Hz
Rated Wattage	See Performance Table
Delivered Lumens	See Performance Table
Efficacy	> 130 lm/W
CRI	80+, R9 > 0
Available CCT ¹	3000K, 4000K, 5000K Adjustable
Color Consistency ²	5-step MacAdam Ellipse
Rated Life	60,000 hours
L70 ³	> 72,000 hours or > 45,000
Power Factor	>0.99
THD	< 2.3%
Dimming	0-10V Continuous (10-100%)
Operating Temp.	-18°C to 40°C
IP Rating	IP65 Wet Location

Configurations

CCT Adjustable Instructions

In order to switch Kelvin temperatures, flip the switch to the desired configuration.

COLOR TEMPERATURE ADJUSTMENT SETTING



Performance Data

Lens Type	Form Factor	Catalog No.	Rated Wattage (W)	Delivered Lumens	Efficacy (lm/W)
Frosted Acrylic	48"	LVTS-34-MVD-830/40/50	34W	4,420	130
		LVTS-45-MVD-830/40/50	45W	5,850	130
	96"	LVTS-8-55-MVD-830/40/50	55W	7,150	130

NOTES:

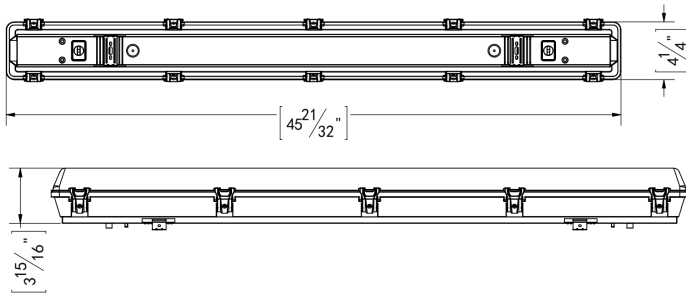
- Made to order items. Minimum 90 day lead time. Minimum 500 order quantity.
- DLC Listed
- DLC Premium Listed
- Quick ship: 5000K. Other CCTs may require a lead time or be special order
- Typical color consistency. May vary or be changed.
- L70 hours calculated based on LED package manufacturer LM80 report and ISTMT report of LED in luminaire. Stated values are for select catalog numbers. Contact GlobaLux for detailed information.
- Actual performance may differ as a result of end-user environment and application. All values are design or typical values, measured under laboratory conditions at 25 °C.



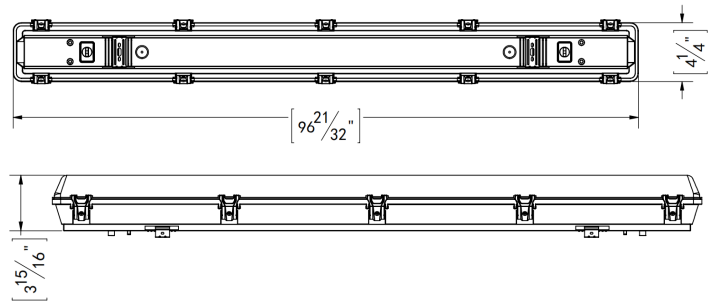
Specifications and Dimensions subject to change without notice

Product Dimensions

LVTS-40/52 (48" housing)



LVTS-55/104 (96" housing)



CCT Adjustable Vaportight LED Strip

Photometric Data

LVTS-40-MV-850 Tested in accordance to IESNA LM-79

[Polar Candela Curve](#)

[Zonal Lumen Summary](#)

[Coefficients of Utilization](#)

[Effective Floor Cavity Reflectance: 20%](#)

Photometric Data Available Q1 2020

Photometric Data

LVTS-52-MVD-850 Tested in accordance to IESNA LM-79

[Polar Candela Curve](#)

[Zonal Lumen Summary](#)

[Coefficients of Utilization](#)

[Effective Floor Cavity Reflectance: 20%](#)

Photometric Data Available Q1 2020

Accessory Options



Whips

CH-3.5	36 in Chain Hanger Kit
FW3	6' 3 Wire Fixture Whip with 1/2 Connector. in
FW3-BL	6' 3 Wire Fixture Whip with 1/2 Connector (Black)
FW3-M	6' 3 Wire Fixture Whip with 1/2 Connector (Metal)
FW312	12' 3 Wire Fixture Whip with 1/2 Connector. in
FW4	6' 4 Wire Flex/Whip_
RS	Rocker Switch
SM-22	2x2 Surface Mount Shroud Kit for RLP, LTF Series Fixtures
SM-24	2x4 Surface Mount Shroud Kit for RLP, LTF Series Fixtures

GlobaLux
LIGHTING

© 2019 GlobaLux Lighting, LLC. All rights reserved. For informational purposes only. Reproduction in whole or part is prohibited without prior written consent of the copyright owner. The information presented in this document does not form part of any quotation or contract, is believed to be accurate and reliable and may be changed without notice. No liability will be accepted by the publisher for any consequences of its use. GlobaLux Lighting reserves the rights make changes in specification at any time without notice.

GlobaLux Lighting LLC
www.globaluxlighting.com
2037 S. Vineyard Ave
Ontario, CA 91761
Ph: 909-591-7506