

LED TECHNOLOGY

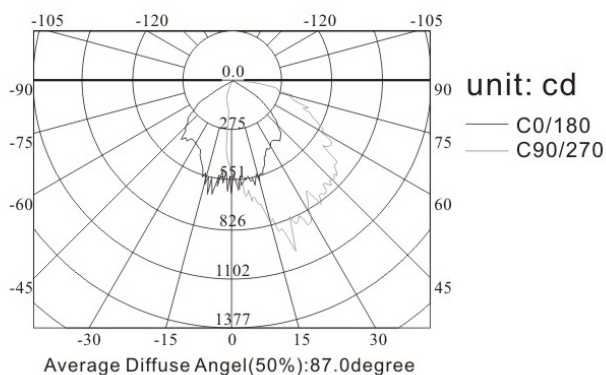
50,000 Hours Life, 17 Watt, Dusk to Dawn Photocell

Applications:

Security, Entry Ways, Stairways And Perimeter Areas, As Well As Residential Exteriors.

Features:

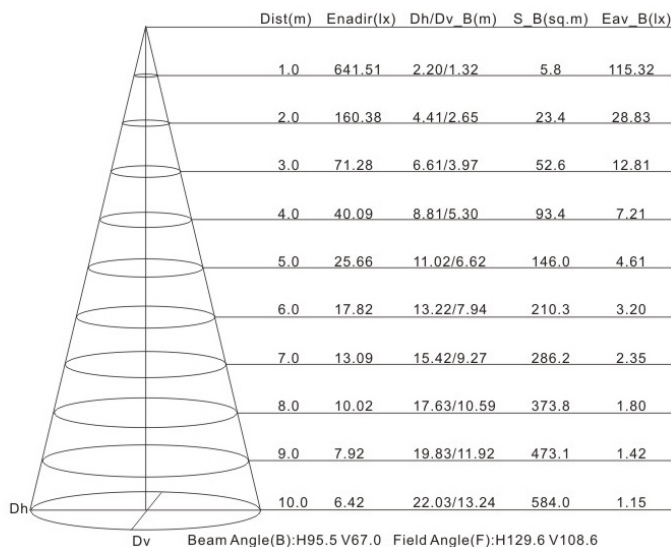
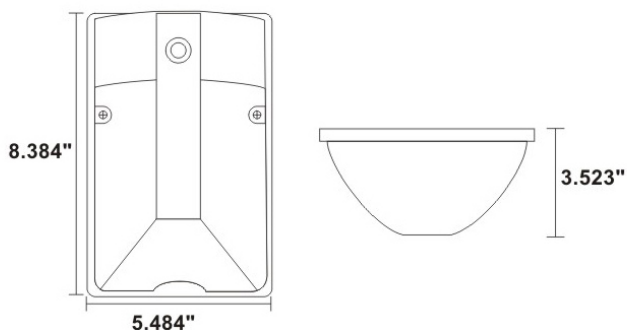
- Dusk to Dawn Photocell
- Aluminum Rust Proof Body
- Instant Start Electronic Unit
- Suitable For Wet Location(IP65)
- Not Dimmable
- Will Operate 270V When Photocell is Bypassed



Specification:

Input Line Voltage:	120VAC
Input Power	17W
Input Line Frequency	60Hz
Lamp Life (Rated)	50,000hrs
Minimum Starting Temp	-20°C/-4°F
Maximum Operating Temp	45°C/113°F
CCT	3000K/5000K
CRI	≥80
Lumens	1700/1700
CBCP	1040/1040

LED: LM-80 Certified High Performance Lumileds LED Chips
DRIVER: Constant-current LED power supply, UL Class 2.



Note: The curves indicate the illuminated area and the average illumination when the luminaire is at different distance.

Model:#	Description	wattage	lumens
LWP17BZ/WW/P	17Watt Hard Wire LED Light Bronze Body, Warm White, With Photocell	17W	1700
LWP17BZ/DL/P*	17Watt Hard Wire LED Light Bronze Body, Day Light, With Photocell	17W	1700

*5 Year Limited Warranty

UPC: LWP17BZ/WW/P 80680215436-7
LWP17BZ/DL/P 68059658292-2

