

LED TECHNOLOGY

50,000 Hours Life, 30 Watt, 120-277VAC 60Hz

Applications:

Parking Lots, Security Lighting, Ceiling Lighting

Features:

- 30W LED Replaces a 75/100W MH or HID Unit
- Low Profile Design
- Aluminum Rust-Proof Body, PC Lens Cover
- 120~277 Volt Input
- 0~10 Volt Dimmable
- Pendant or Surface Mount
- UL listed. Suitable For Wet Location
- Electro Static Power Coat Finish

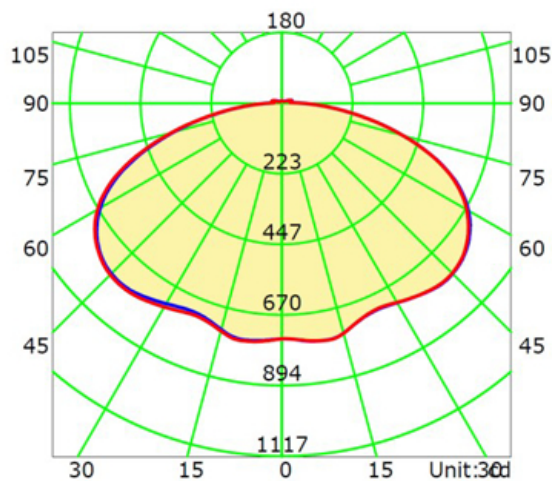


Specification:

| | |
|------------------------|------------|
| Input Line Voltage: | 120-277VAC |
| Input Power | 30W |
| Input Line Frequency | 60Hz |
| Lamp Life (Rated) | 50,000hrs |
| Minimum Starting Temp | -20°C/-4°F |
| Maximum Operating Temp | 45°C/113°F |
| CCT | 5000K |
| CRI | ≥80 |
| Lumens | 3750 |
| CBCP | 773 |

LED: LM-80 Certified High Performance Lumileds LED Chips
DRIVER: Constant-current LED power supply, UL Class 2.

Luminous Intensity Distribution Curve



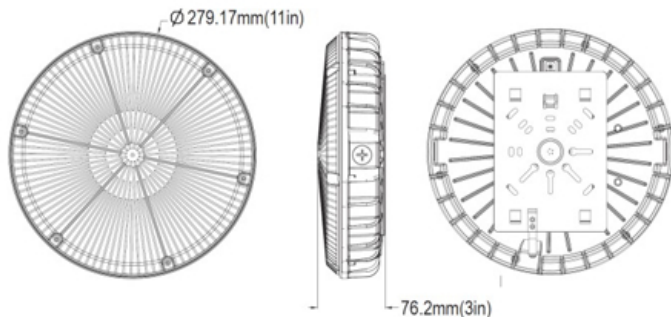
Average Diffuse Angle(50%): 149.5°

— C0-C180 — C90-C270

Illuminance Distance(Field Angle)

| Dist(m) | Enadir(lx) | Dh/Dv | F(m) | S_F(sq.m) | Eav_F(lx) |
|---------|------------|---------------|----------|-----------|-----------|
| 1.0 | 746.23 | 62.49/64.23 | 6108.0 | 0.07 | |
| 2.0 | 186.56 | 124.99/128.47 | 24432.2 | 0.02 | |
| 3.0 | 82.91 | 187.48/192.70 | 54972.4 | 0.01 | |
| 5.0 | 29.85 | 312.47/321.17 | 152701.0 | 0.00 | |
| 6.0 | 20.73 | 374.97/385.40 | 219889.4 | 0.00 | |
| 7.0 | 15.23 | 437.46/449.63 | 299293.9 | 0.00 | |
| 8.0 | 11.66 | 499.95/513.87 | 390914.5 | 0.00 | |
| 9.0 | 9.21 | 562.45/578.10 | 494751.2 | 0.00 | |
| 10.0 | 7.46 | 624.94/642.34 | 610803.9 | 0.00 | |

Dh Beam Angle(B): H149.4 V149.5 Field Angle(F): H176.3 V176.4



WARRANTY

* 5-YEAR

| Model:# | Description | wattage | lumens |
|--------------|--|---------|--------|
| LWP30CPR/850 | 30Watt Hard Wire LED Light Bronze Body, Day Light | 30W | 3750 |

Cyber Tech Lighting, Inc.
331 S. Hale Ave. Fullerton, CA 92831 USA.
Tel: 714-870-0794, 1-877-60CYBER Fax: 714-870-0795
www.cybertechlighting.com

* 5 Year Limited Warranty

UPC: 80680215461-9



LW32-0817