

## LED TECHNOLOGY

50,000 Hours Life, 30 Watt, 120-277VAC 50/60Hz

### Applications:

Pathway, Wall, Security, Walkways, and Perimeter Lighting, Entryways.

### Features:

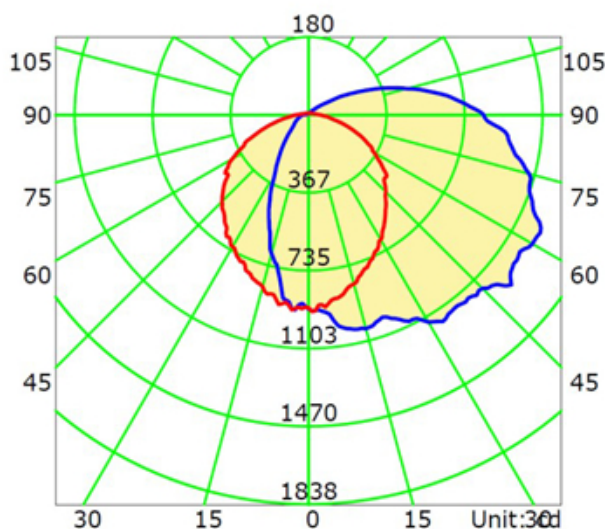
- 120/277 Dual Voltages
- Aluminum Rust Proof Body
- UL Listed. Suitable for Wet Location
- Replaces 75/100W Metal Halide
- Bronze, Power Coat Finish
- Polycarbonate Lens with UV Stabilization
- Instant Start Electronic Unit



### Specification:

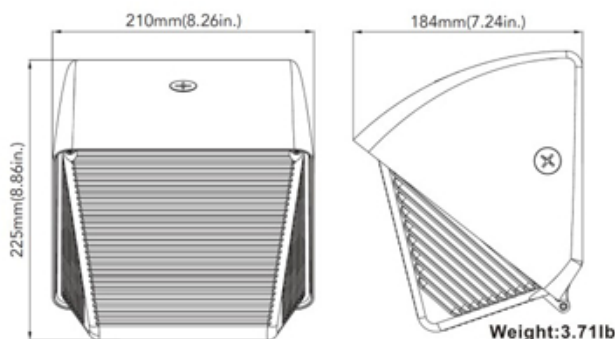
Input Line Voltage:	120-277VAC
Input Power	30W
Input Line Frequency	50/60Hz
Luminaire Life (Rated)	50,000hrs
Minimum Starting Temp	-40°C/-40°F
Maximum Operating Temp	45°C/113°F
CCT	5000K
CRI	≥70
Lumens	3800
CBCP	1248

LED: LM-80 Certified High Performance Lumileds LED Chips  
DRIVER: Constant-current LED power supply, UL Class 2.



Average Diffuse Angle(50%): 112.5°

— C0-C180 — C90-C270



### Illuminance at a Distance(Beam Angle)

Dist(m)	Enadir(lx)	Dh/Dv_B(m)	S_B(sq.m)	Eav_B(lx)
1.0	917.33	3.22/2.79	NA	NA
2.0	229.33	6.44/5.57	NA	NA
3.0	101.93	9.65/8.36	NA	NA
4.0	57.33	12.87/11.14	NA	NA
5.0	36.69	16.09/13.93	NA	NA
6.0	25.48	19.31/16.71	NA	NA
7.0	18.72	22.52/19.50	NA	NA
8.0	14.33	25.74/22.28	NA	NA
9.0	11.33	28.96/25.07	NA	NA
10.0	9.17	32.18/27.85	NA	NA

Dv Beam Angle(B): H116.3 V108.6 Field Angle(F): H169.8 V167.7

**WARRANTY**  
\* 5-YEAR

Model:#	Description	wattage	lumens
LWP30FHZ/850	30Watt Hard Wire LED Light Bronze Body, Day Light	30W	3800

\* 5 Year Limited Warranty

UPC: 80680215462-6

