

7/17/2012

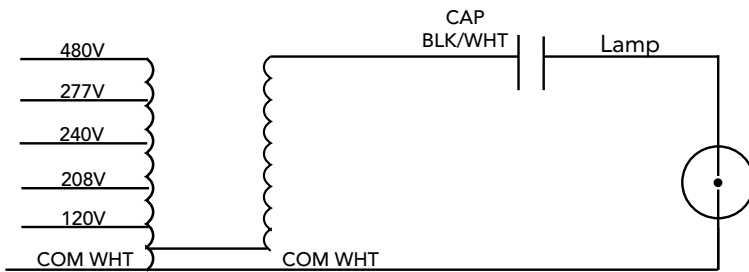
**400 Watt M59 60Hz
Metal Halide**

Project:	
Catalog#:	
Approved by:	

Input Volts (60 hz)	120	208	240	277	480
Input Watts	459	459	459	459	459
Approx. Line Current (Amps)*	4.0	2.3	2.0	1.8	1.0
Circuit Type	CWA				
ANSI	M59				
Insulation Class	Class H				
Power Factor	> 90%				
Regulation	Line Volts: ±10% Lamp Watts: ±10%				
Min. Ambient Starting Temp.	-20°F/-30°C				
High Potential Test (Volts)	1 Minute: 2000 1 Second: 2400				
Lead Lengths (inches)	12				
UL Temperature Ratings*	1029C				
Capacitor	24.0/360v Min. Included in kit.				

* See Ballast Label for exact values and additional information

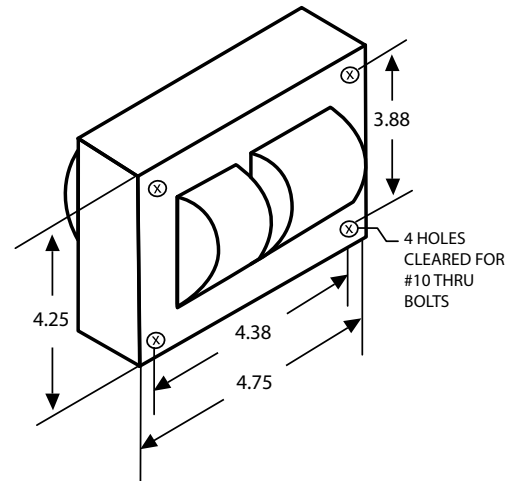
WIRING DIAGRAM



HID Ballast Kit

- Ballast
- Capacitor
- Mounting Bracket

DIMENSIONAL DRAWING



Specifications subject to change without notice.



High Intensity Discharge Ballasts