

Universal LED Flood Light

Feature and Benefits:

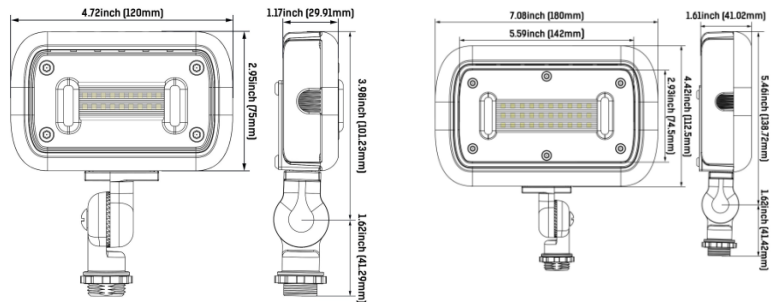
- ½" Knuckle Mount or Trunnion Mount
- 5 year warranty
- Aluminum Ho with UV resistant powder coat finish
- Polycarbonate Lens
- UL Lister for Outdoor
- Wide Flood beam spread 7H x 7V



Technical Data

| | |
|-------------------|---------------|
| CRI | >80 |
| Beam Angle | 160° |
| Operation Temp. | - 30°C ~ 40°C |
| Lifespan | 50,000 Hours |
| Waterproof Rating | IP66 |
| Lumen per watt | 110 lm/w |

Dimensions and size:



15W

30W

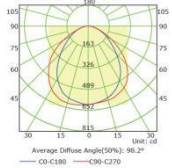
Ordering Information

| Model # | CCT | Voltage | Wattage | Lumen |
|--------------------|-------|----------|---------|--------|
| LEDFL15W50K277V-KN | 5000K | 100-240V | 15W | 1650lm |
| LEDFL30W50K277V-KN | 5000K | 100-240V | 30W | 3300lm |

Ariael3.0 LED Parking Lot/Area Light Fixture

Photometric

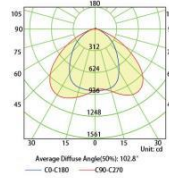
Luminous Intensity Distribution Curve



NEMA 7H x 7V Light Distribution
Wider and Broader Illumination

15W

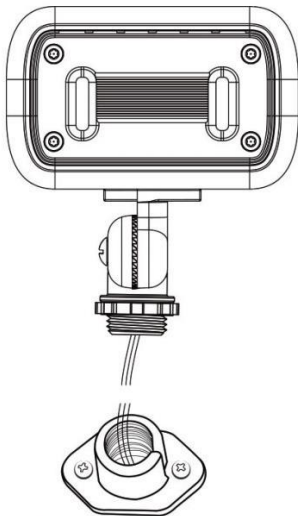
Luminous Intensity Distribution Curve



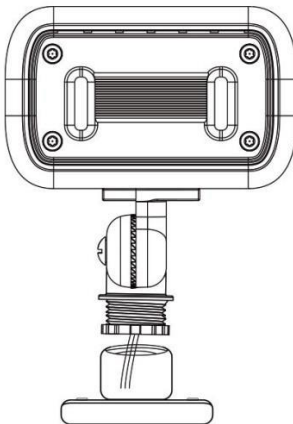
NEMA 7H x 7V Light Distribution
Wider and Broader Illumination

30W

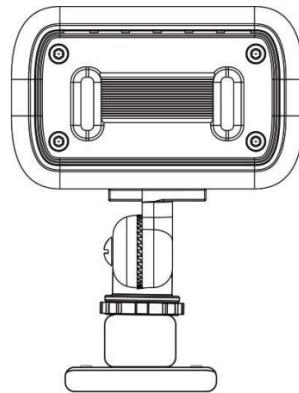
Bracket Type



1 Connect wires



2 Screw knuckle mount into threaded mounting



3 Tighten up the connection