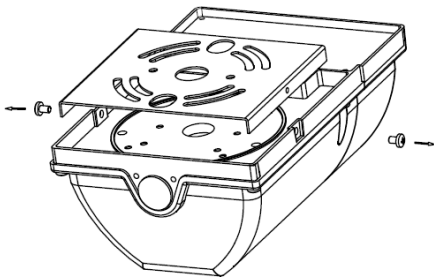


Mini Wall Pack Installation Instructions

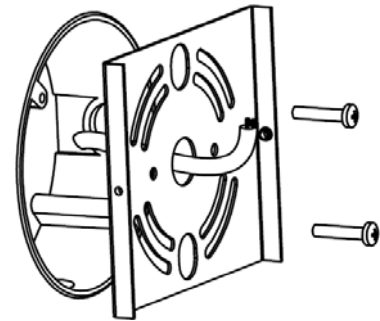
WARNING

1. To avoid electric shock, disconnect power at source prior to installation.
2. The installation should be performed by qualified electricians or lighting technicians.
3. Before conducting any installation, maintenance, or removal, disable all power to the luminaries and wait until the fixture cool down.
4. Do not touch the fixture while it is in service.
5. If there is any problem with the fixture, do turn off power, but **DO NOT** attempt repair unless you are a qualified technician or the customer service member.
6. The electrical rating of this product contains photocell is 110-277VAC.

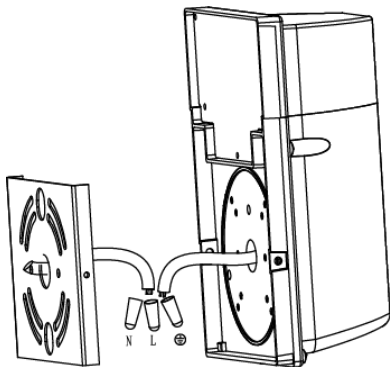
INSTALLATION



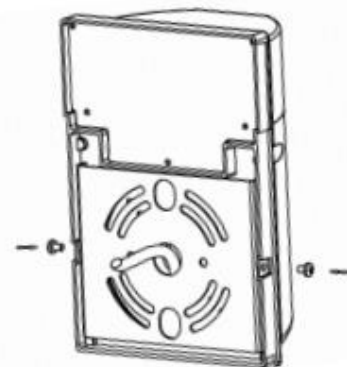
1. Loosen screws to take the quick installation plate apart.



2. Fix the quick installation plate to wall.



3. Connect incoming and outgoing wire.



4. Install the fixture body to quick installation plate and tighten the screws.