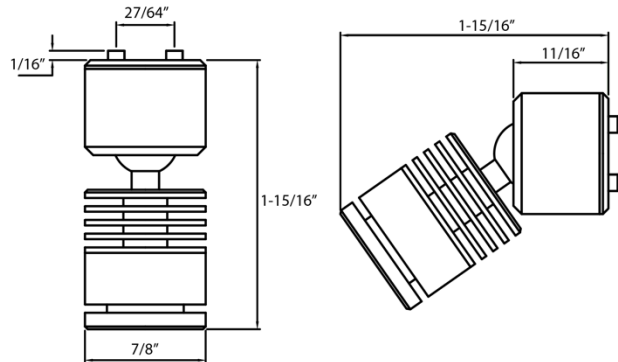


MMT-S304

Magnetrax Mini
Mini Magnetic Track Luminaire

Catalog #		Type
Project		Date
Prepared by		



DESCRIPTION

Lum-Tech's new MAGNETRAX™ Mini Magnetic Track “brings back the fun to functional”. Our discreet, low-profile magnetic track can be mounted horizontally or vertically anywhere power is needed. There is a wide range of fixed or adjustable LED mini-trackheads and linear lightbars that simply click anywhere along the track. The best feature is that all the diminutive trackheads can easily be moved as the contents of the display change over time – no need to worry about costly rewiring since all the trackheads are held and powered magnetically.

FEATURES

- Each trackhead is held and powered magnetically for easy movement
- Suitable for mounting inside cabinet, under-cabinet or shelf mount.
- 120 lumens with just 2W
- CRI of 90+
- 20°, 30°, 40° beam angle option
- 3 Step MacAdam LED
- 40° Vertical Adjustable aim
- 360° Horizontal Adjustable aim


ORDERING INSTRUCTIONS

MODEL	BEAM ANGLE	CCT/CRI	FINISH
MMT-S304	30: 30° *20: 20° *40: 40°	4090: 4000K, 90 CRI *3090: 3000K, 90CRI	BK: Black *SV: Silver *WH: White

* Contact Factory

NOTE: Should be used with MMT-TRK mini magnetic track. Sold separately.
Please see MMT-TRK spec sheet for more details.

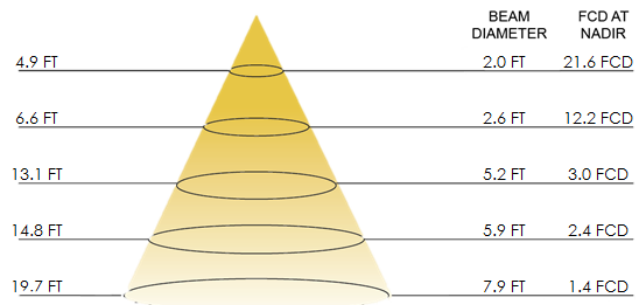
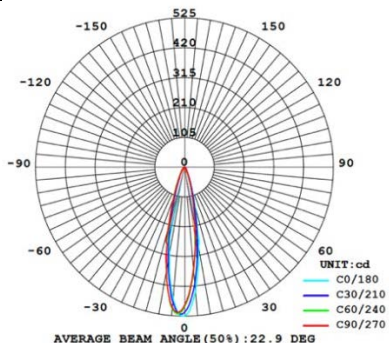
SPECIFICATIONS

Input Voltage	24V DC
Wattage	2W
Color Temperature	4000K, *3000K
Beam Angle	30°, *20°, *40°
CRI	90
Lumen Output	120 lm
Efficacy	60 lm/W
Vertical Aim	40°
Horizontal Aim	360°
Finish	Black, *Silver, *White
Environment	UL Listed for Dry Location (Indoor only)
Certification	
Warranty	5 Years – see published warranty terms for detailed information

* Contact Factory

NOTE: To reduce risk of fire, do not install in a compartment smaller than 450 cubic/inches per 14.5W max

PHOTOMETRIC DATA



03/24/2022

