



Project Details

PROJECT	
DATE	
TYPE	
PREPARER	



The CCT & Wattage Switchable Field Fit LED Linear Strip is small in size. This makes it an ideal choice for size restricted architectural applications. The LED Linear Strip is a great illumination solution for commercial, industrial, retail and other applications.

These include storage/utility areas, coves, display cases, shops, task and general area lighting. This DLC listed product is suitable for damp locations and features 0-10V dimming.

SPECIFICATIONS

Product Features

Construction

- Die formed cold-rolled steel
- Powder coat white finish
- Polycarbonate formed lens
- Tool less entry

Installation & Mounting

- Surface ceiling mount
- Surface wall mount
- Suspension cable (Sold Separately)
- V-Hooks (Sold Separately)

Controls & Dimming

- 0-10 Volt Dimming
- 12V Aux
- Bluetooth Mesh Controls
- Bi-level Occupancy Sensor

PERFORMANCE

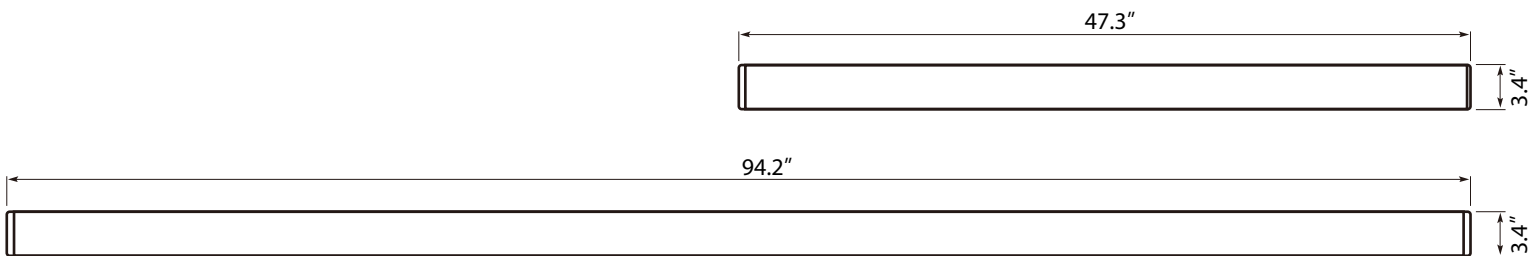
Summary

Input Voltage	100-277V
Input Frequency	50/60 Hz
Rated Wattage	18W (4000K) 25W-30W-40W (<i>Selectable</i>) 75W-80W-85W (<i>Selectable</i>)
Efficacy	135 lm/W
CRI	80+
Available CCT	3500K, 4000K, 5000K
Rated Life (L70)	100,000 hrs
IP Rating	IP65
PF	>0.95
Certifications	DLC, CE, ETL RoHS
Working Temp. (°F)	-4°F - 122°F
LED Light Source	SMD 3030 5050



DIMENSIONS

4FT/8FT



PERFORMANCE

Data

MODEL	WATTS		CCT	LUMEN	VOLTAGE	WARRANTY
NB-LSP-4FT-F-4K	18W		4000K	2,520lm	120-277V	PREMIUM
MODEL	WATTS (SWITCHABLE)	CCT(SWITCHABLE)	LIGHT EFFICIENCY	LUMEN	VOLTAGE	DLC
NB-LSP-4FT-F-CCT	25W	3500K	131LPW	3,275lm	120-277V	PREMIUM
	25W	4000K	132LPW	3,300lm	120-277V	PREMIUM
	25W	5000K	133LPW	3,325lm	120-277V	PREMIUM
	30W	3500K	132LPW	3,960lm	120-277V	PREMIUM
	30W	4000K	133LPW	3,990lm	120-277V	PREMIUM
	30W	5000K	134LPW	4,020lm	120-277V	PREMIUM
	40W	3500K	132LPW	5,280lm	120-277V	PREMIUM
	40W	4000K	133LPW	5,320lm	120-277V	PREMIUM
	40W	5000K	134LPW	5,360lm	120-277V	PREMIUM
MODEL	WATTS (SWITCHABLE)	CCT(SWITCHABLE)	LIGHT EFFICIENCY	LUMEN	VOLTAGE	DLC
NB-LSP-8FT-F-CCT	75W	3500K	131LPW	9,825lm	120-277V	PREMIUM
	75W	4000K	132LPW	9,900lm	120-277V	PREMIUM
	75W	5000K	133LPW	9,975lm	120-277V	PREMIUM
	80W	3500K	131LPW	10,480lm	120-277V	PREMIUM
	80W	4000K	132LPW	10,560lm	120-277V	PREMIUM
	80W	5000K	133LPW	10,640lm	120-277V	PREMIUM
	85W	3500K	130LPW	11,135lm	120-277V	PREMIUM
	85W	4000K	131LPW	11,220lm	120-277V	PREMIUM
	85W	5000K	132LPW	11,305lm	120-277V	PREMIUM

ORDER

Data

Sample: NB-LSP-4FT-30W-40-EM

SERIES	WATTAGE	CCT	VOLTAGE	OPTIONS	
NB-LSP-4FT	18W	35 = 3500K 40 = 4000K 50 = 5000K	BLANK = 100-277V	SFM	Surface Mounting
NB-LSP-4FT	25W-30W-40W			VH	V-Hook
NB-LSP-8FT	75W-80W-85W			EM	Battery Back-Up

KT-EMRG-LED-5C-500-SEN

Constant Power Emergency LED Back-up Driver

Constant-Power Emergency LED Back-Up Driver | 5W Output | 120 –277V Input | CEC T20 Compliant

Driver Type	Constant Power Emergency LED Back-Up Driver	Safety Standards	UL 924, Complies with CEC Title 20 Efficiency Standards		
Max. Output Power	5W	Location	IP20 design for dry and damp locations		
Input Voltage	120-277 Vac ±10%	Number of Outputs	1	Warranty	5 Years

ELECTRICAL

Specifications

Input voltage range	120~277Vac \pm 10%
Frequency	50/60Hz
Power factor	> 0.5 under 120~277Vac input
Inrush current	7A @ 230V
Max input current	50mA @120V, 35mA @240V, and 30mA @277V
THD	< 170% under 120~277Vac input
Output voltage	20 –60Vdc Class 2 compliant Remarks: the output power is valid for output voltage \leq 58Vdc; above that power will drop
Output current	250mA @ 20Vdc, 86mA @ 58Vdc
Output power	5W (constant)
Turn-on Delay Time	< 1s
Overshoot	< 10%
Ripple & Noise (pk-pk)	< 10%
Withstand voltage	Input to output, 2800Vdc, 2mA
Leakage current	Maximum 0.5mA at 277Vac, 60Hz input
Protection	Over-voltage protection: Hiccup mode. Protection will trigger when load voltage exceeds specified output voltage and will auto recover after the fault mode is removed. Over-current protection: Hiccup mode. Protection will trigger when load current exceeds specified output current and will auto recover after the fault mode is removed. Short-circuit protection: Hiccup mode. Protection will trigger when short circuit and will auto recover after the fault mode is removed.
Emergency Operation	90 minutes
Battery	High-temperature, maintenance-free, LiFePO4 battery, 9.6Vdc, 3 cell
Recharge Time	24 hours
Battery Charging Current	307mA

ENVIRONMENTAL

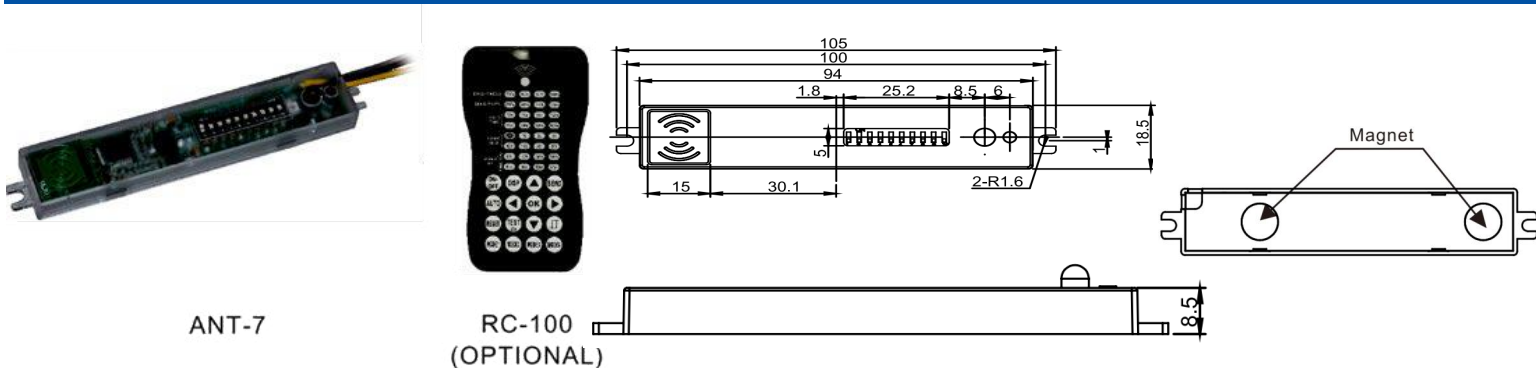
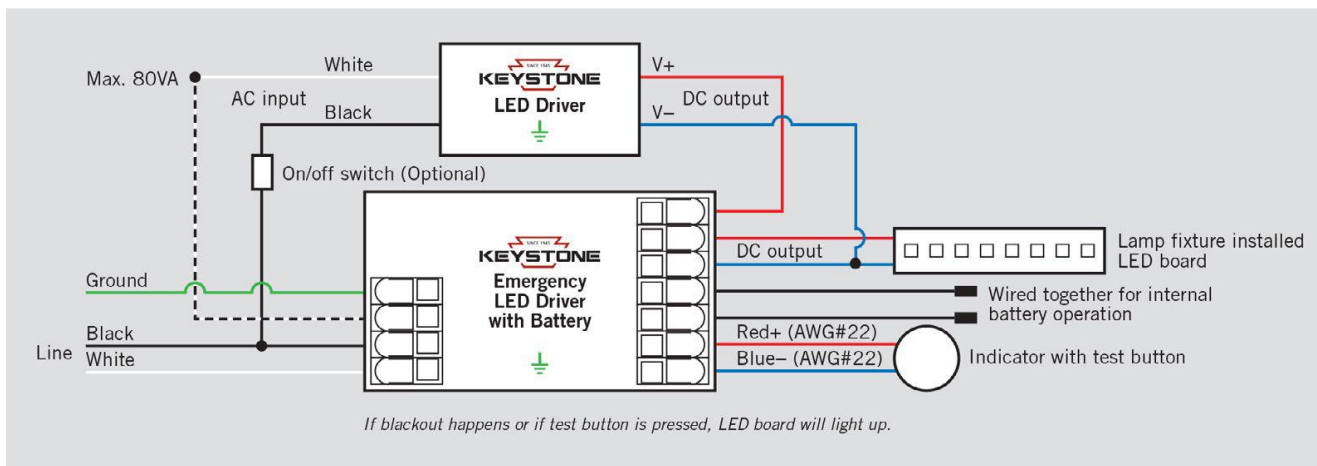
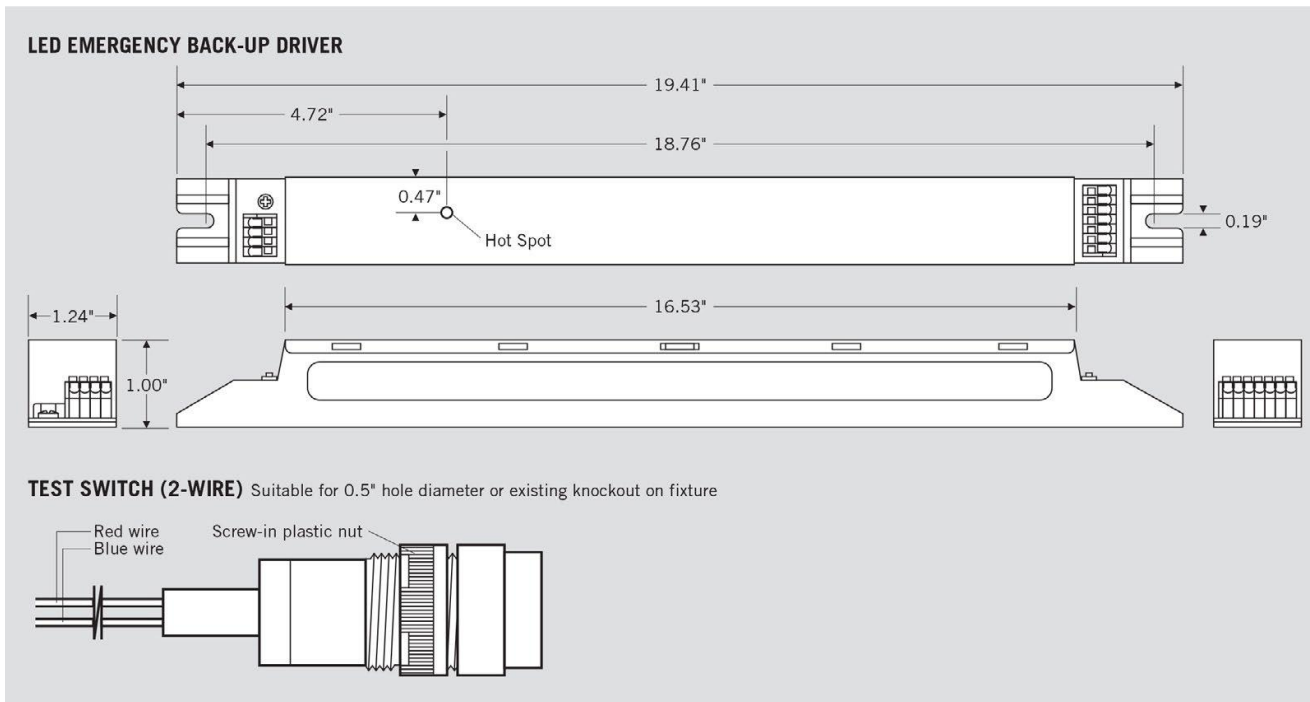
Specifications

Operating temperature	0°C/32°F to 55°C/131°F	Life rating	97,500 hours at 120Vac input, 100% load and 55°C/131°F case temp
Storage temperature	-20°C/- 4°F to 55°C/131°F	Maximum ambient temperature	55°C/131°F
MTBF	284,000 hours at 40°C/104°F ambient (~55°C/131°F case temp)	Humidity	5% to 95%

SAFETY

and EMC Compliance

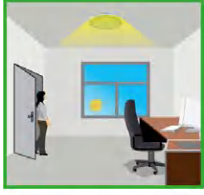
UL/cUL	UL 924, Complies with CEC Title 20 Efficiency Standards
FCC, 47CFR Part 15	ANSI C63.4:2009 Class B (consumer limit)
EN61000-3-2	Harmonic current emissions Class C



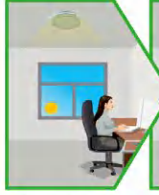
DAYLIGHT

Harvesting Function (only by using RC100 remote control)

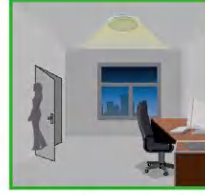
Open the daylight harvesting function only by choosing "👁️" button when remote control is in setting condition. Memory and maintain current ambient brightness.



When the natural light is sufficient or dark, movement is detected and the light will turn on 100% brightness.



The light turns on at full or dims to maintain the lux level. The light output regulates according to the level of natural light available.



The light dims to stand-by period after hold-time and stays on selected minimum dimming level.



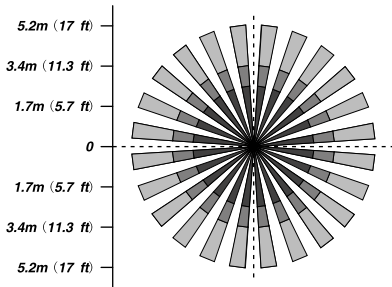
The light switches off completely after the stand-by period.

Setting on this demonstration:
 BRIGHTNESS:100%
 SENSITIVITY:100%
 HOLD TIME:30MIN
 DAYLIGHT SENSOR: 👁️
 STAND BY DIM: 30%
 STAND BY TIME: 1MIN

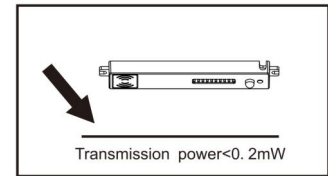
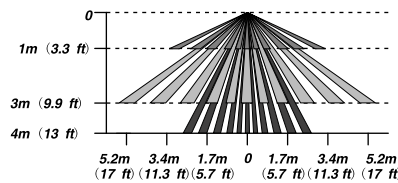
SENSOR

Coverage

Top View



Side View



NOTE:

The high-frequency output of this sensor is <0.2mW - that is just one 5000th of the transmission power of a mobile phone or the output of a microwave oven.

SPECIFICATIONS

Power Supply	12-24V DC, >50mA
HF System	5.8GHz±75MHz
Dim Control Output	0-10V, max. 25mA sinking current
Detection Radius/Angle	Max 17ft. (5.2m)/360°
Mounting Height	Max 13ft. (4m)
Remote Range	50ft. (15m) indoor, no backlight
Humidity	Max. 95% RH
Temperature	-40°F - 158°F (-40°C - 70°C)

⚠️ WARNING

NOTE: Warm up time is 15 seconds. After the sensor connects input power first time, the light will stay on 15 seconds, then start dimming.

NOTE: Factory Default Setting: 100% sensitivity, Hold on time: 10 seconds, Daylight sensor is 30lux, Dimming level: 30% Dimming time: 60 minutes.

NOTE: Any setting changed by DIP Switch or remote control, the LED light that sensor connect will on/off as confirm.

UTILIZING

Field and Introduction

ANT-7 is a moving object sensor that can detect range of 360° and its working frequency is 5.8GHz. The advantage of this product is stable working state (stable working temperature: -40°C—+70°C), ANT-7 adopts a microwave sensor (high-frequency output <0.2mW) so that it is safe and performs better than infrared sensor.