



Project Details

PROJECT	
DATE	
TYPE	
PREPARER	



The Parachute Post Top Area Light is a state-of-the-art LED outdoor fixture it combines style with performance, the low profile body minimizes wind load while retaining an aesthetic pleasing appearance. Featuring a die-cast aluminum housing with a corrosion resistant powder coat finish & secondary UV resistant polycarbonate optics. The integrated cooling fins provide superior thermal management to ensure a long life span. The Parachute Post Top Area Light is the ideal choice for hotels, parks, downtown corridors, shopping malls parking lots and other general lighting applications.

SPECIFICATIONS Product Features

Construction

- Die-Cast Aluminum housing
- Anti-static powder coat
- IP65 Rating
- Polycarbonate Lens
- Superior thermal management

Installation & Mounting

- Square Pole
- Round Pole
- Round & Square Tennon Adapters

Controls & Dimming

- 0-10 Volt Dimming
- 12 Volt AUX
- Bluetooth Mesh Control
- Bi-level Occupancy Sensor

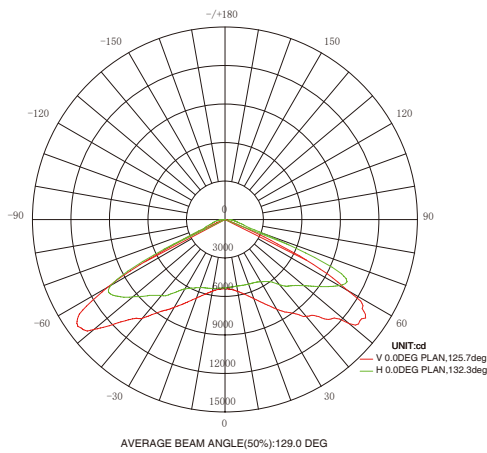
PERFORMANCE Summary

Input Voltage	100-277V, 277V-480V
Input Frequency	50/60 Hz
Rated Wattage	35W, 50W, 100W 150W, 200W, 240W, 300W
Efficacy	130 lm/W
CRI	>70
Available CCT	3000K, 4000K, 5000K
Rated Life (L70)	100,000 hrs
IP Rating	IP65
PF	>0.95
Certifications	UL, DLC, CE, RoHS
Working Temp. (°F)	-40°F ~ 125°F
LED Light Source	Lumileds 3030

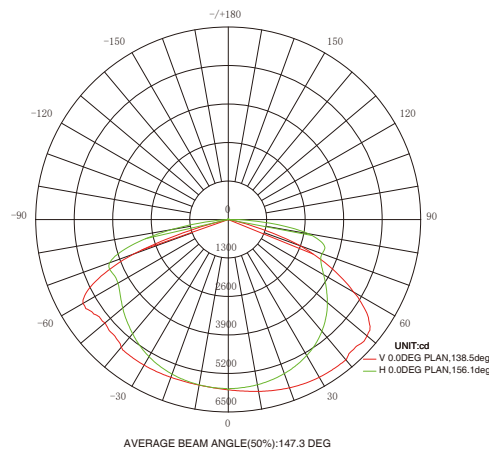


DISTRIBUTION Curve

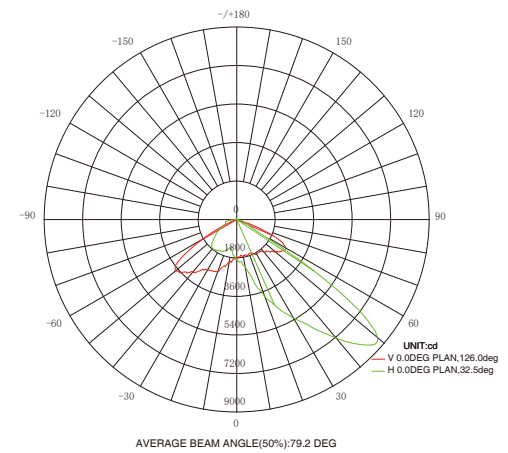
Type V (120°)



Type V (150°)



Type III (90°*140°)



PERFORMANCE Data

MODEL	WATTAGE	CCT	LUMEN	EFFICACY (lm/W)	VOLTAGE
NB-PTL-35W	35watt	3000K, 4000K, 5000K	4,550lm	130 lm/W	100-277V, 277V-480V
NB-PTL-50W	50watt	3000K, 4000K, 5000K	6,500lm	130 lm/W	100-277V, 277V-480V
NB-PTL-100W	100watt	3000K, 4000K, 5000K	13,000lm	130 lm/W	100-277V, 277V-480V
NB-PTL-150W	150watt	3000K, 4000K, 5000K	19,500lm	130 lm/W	100-277V, 277V-480V
NB-PTL-200W	200watt	3000K, 4000K, 5000K	26,000lm	130 lm/W	100-277V, 277V-480V
NB-PTL-240W	240watt	3000K, 4000K, 5000K	31,200lm	130 lm/W	100-277V, 277V-480V
NB-PTL-300W	300watt	3000K, 4000K, 5000K	39,000lm	130 lm/W	100-277V, 277V-480V

ORDER Format

Sample: : **NB-PTL-100W-40-T3**

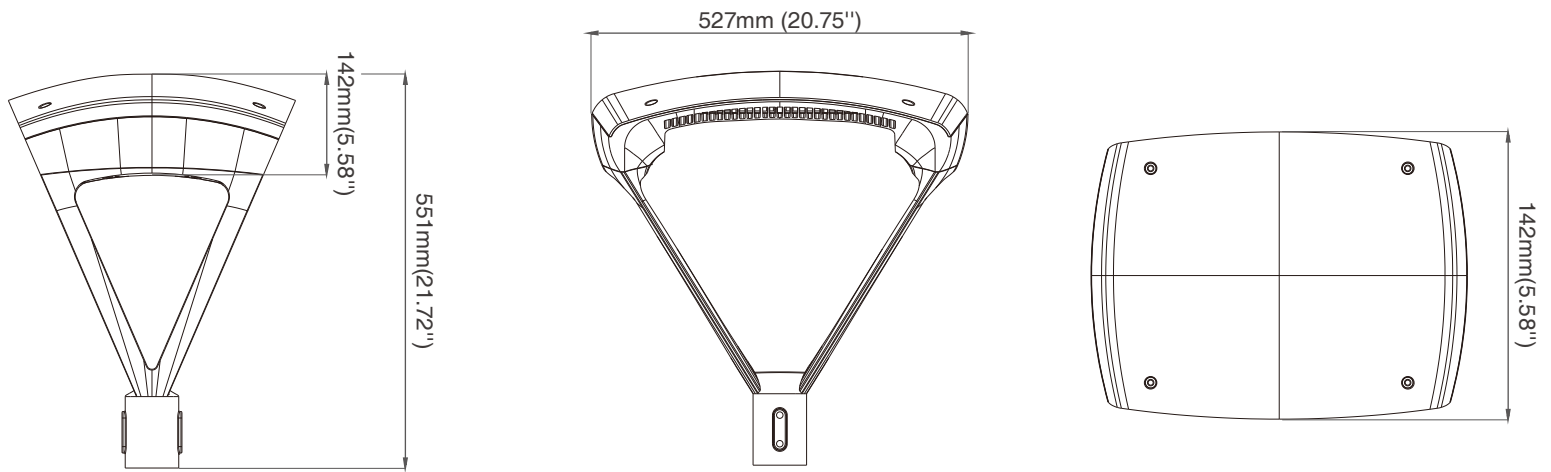
SERIES	WATTAGE		CCT	VOLTAGE	OPTICS		FINISH*
NB-PTL	35W	50W	30 = 3000K 40 = 4000K 50 = 5000K	BLANK = 100-277V	T3	T5	BLANK = Bronze WH = White BLK = Black SVL = Silver
	100W	150W					
	200W	240W					
	300W						

* contact the Nebulite sales team for turnaround time and pricing on finish color customizations

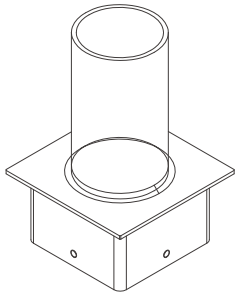
MOUNTING Options

TAR3	Tennon 3" Round	TAR6	Tennon 6" Round	MS	Bi-Level Sensor
TAR4	Tennon 4" Round	TAS4	Tennon 4" Square	RC100	Programming Tool
TAR5	Tennon 5" Round	TAS5	Tennon 5" Square	CF	Custom Finish

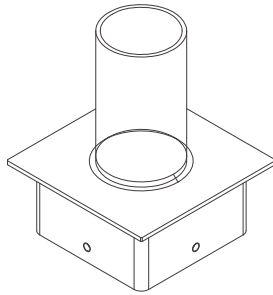
DIMENSIONS



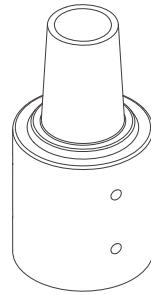
ADAPTERS (suitable for 2 3/8" mount)



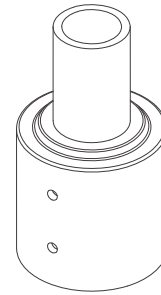
4" SQ



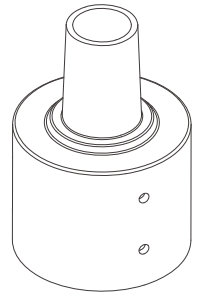
5" SQ



3" RD

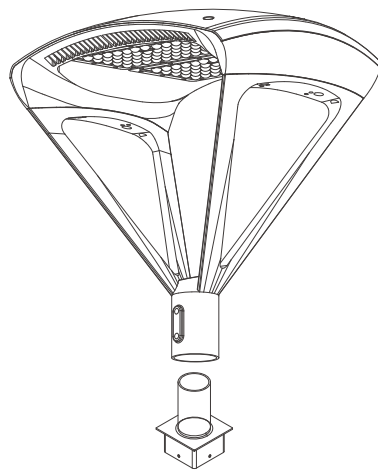


4" RD

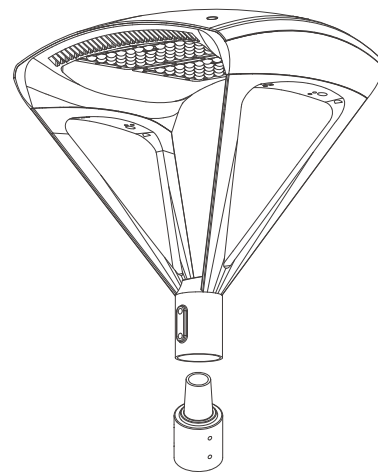


5" RD

TWO OPTIONAL MOUNTS (Square & Round)



Square pole



Round pole