



Project Details

PROJECT	
DATE	
TYPE	
PREPARER	



The NBAL series Area Light is an aesthetically pleasing outdoor luminaire designed to handle any environment, it offers a die-cast aluminum housing, high efficient professional grade LEDs, a stylish low profile body that minimizes wind load & corrosion resistant polyester powder coat finish. Optional energy saving controls are available. The NBAL is the fixture of choice for parking lots, car dealerships, plaza lighting, shopping mall, garden, roadways, area Lighting & other general outdoor lighting applications.

SPECIFICATIONS

Product Features

Construction

- Die-Cast Aluminum housing
- Anti-static powder coat
- IP65 Rating
- Polycarbonate Lens
- Superior thermal management

Installation & Mounting

- Square Pole Arm Mount
- Round Pole Arm Mount
- Slip-Fitter Mount
- Trunnion Mount
- Wall Mount

Controls & Dimming

- 0-10 Volt Dimming
- 12 Volt AUX (only 50W & 80W)
- Twist-lock Dusk to Dawn PC

PERFORMANCE

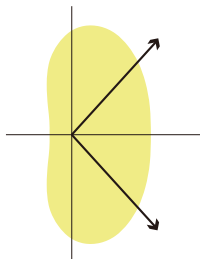
Summary

Input Voltage	100-277V, 277-480V(100W+)
Input Frequency	50/60 Hz
Rated Wattage	25W-48W-80W (<i>Watt & CCT Selectable</i>) 100W-150W-200W (<i>Watt & CCT Selectable</i>) 200W-240W-300W (<i>Watt & CCT Selectable</i>) 400W, 500W, 600W(<i>Watt & CCT FIXED</i>)
Efficacy	135 lm/W
CRI	>70
Available CCT	3000K, 4000K, 5000K
Rated Life (L70)	100,000 hrs
IP Rating	IP65
PF	>0.95
Certifications	UL, DLC, CE, RoHS, FCC
Working Temp. (°F)	-22°F - 122°F
LED Light Source	SMD 3030

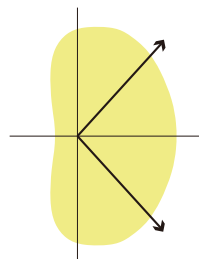


LIGHT DISTRIBUTION

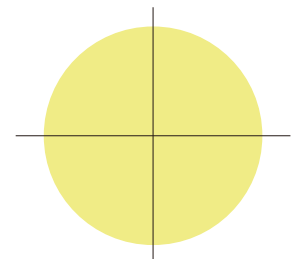
Curve



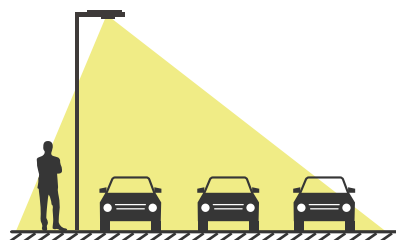
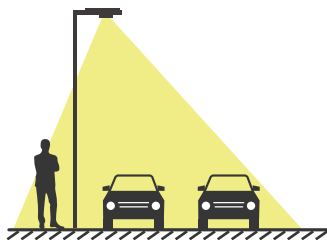
TYPE III



TYPE IV



TYPE V



PERFORMANCE

Data

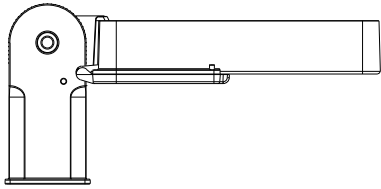
MODEL	WATTAGE	CCT	LUMEN	EFFICACY (lm/W)	VOLTAGE	BUG
NBAL-24W	24watt	3000K, 4000K, 5000K	3,375lm	140.63 lm/W	100-277vac	B1 - U1 - G1
NBAL-50W	48watt	3000K, 4000K, 5000K	6,750lm	140.63 lm/W	100-277vac	B1 - U1 - G1
NBAL-75W	80watt	3000K, 4000K, 5000K	10,200lm	127.5 lm/W	100-277vac	B2 - U1 - G1
NBAL-100W	100watt	3000K, 4000K, 5000K	15,431lm	147.1 lm/W	100-277vac	B2 - U1 - G2
NBAL-150W	150watt	3000K, 4000K, 5000K	20,250lm	135 lm/W	100-277vac	B3 - U1 - G2
NBAL-200W	200watt	3000K, 4000K, 5000K	32,318lm	154.78 lm/W	100-277vac	B3 - U2 - G3
NBAL-240W	240watt	3000K, 4000K, 5000K	32,318lm	150 lm/W	100-277vac	B3 - U2 - G3
NBAL-300W	300watt	3000K, 4000K, 5000K	40,500lm	135 lm/W	100-277vac	B4 - U2 - G3
NBAL-400W	400watt	3000K, 4000K, 5000K	60,724lm	148.7 lm/W	100-277vac	B4 - U2 - G3
NBAL-500W	500watt	3000K, 4000K, 5000K	65,000lm	130 lm/W	100-277vac	B5 - U2 - G4
NBAL-600W	600watt	3000K, 4000K, 5000K	78,000lm	130 lm/W	100-277vac	B5 - U2 - G4

*Lumen data based on by 5000K

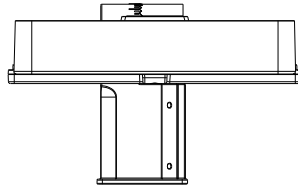
*The BUG based on T3 lens

EPA Data

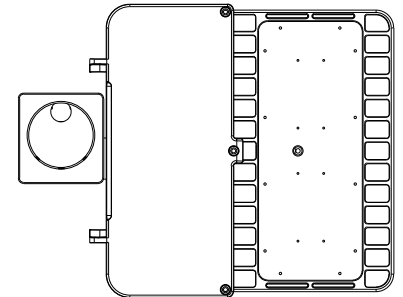
30W - 80W



EPA=0.6824

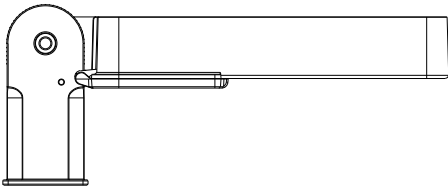


EPA=0.54

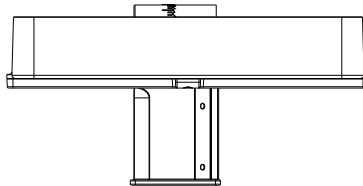


EPA=1.128

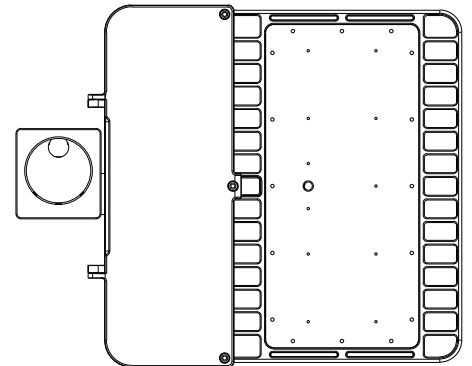
80W - 150W



EPA=0.81

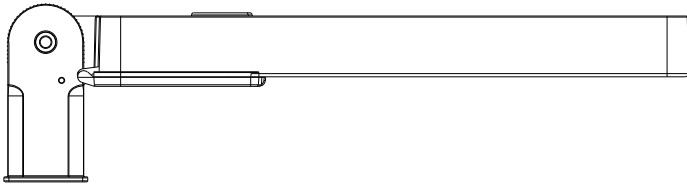


EPA=0.67

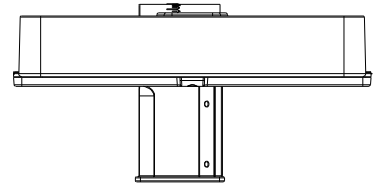


EPA=1.624

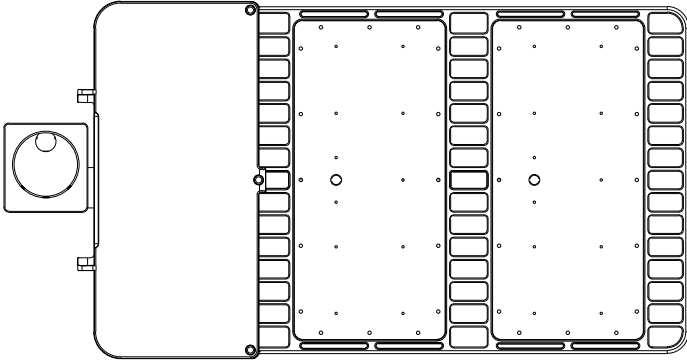
200W - 300W



EPA=1.27

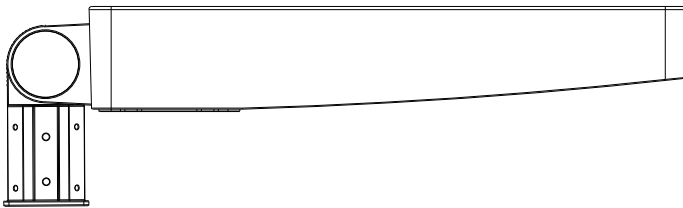


EPA=0.657

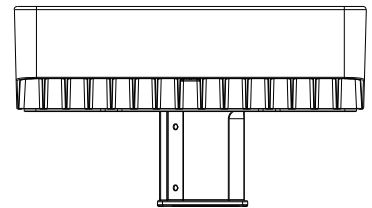


EPA=2.5

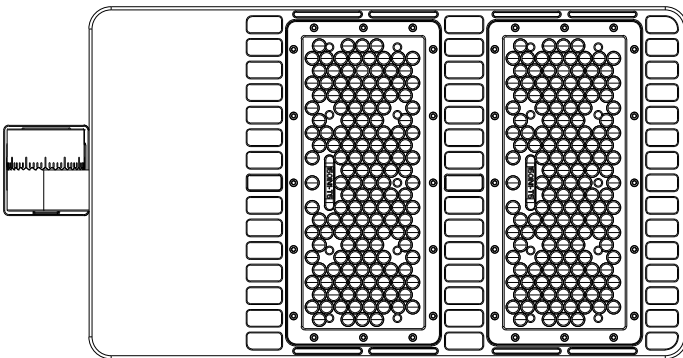
400W - 600W



EPA=2.5



EPA=0.7168



EPA=2.43

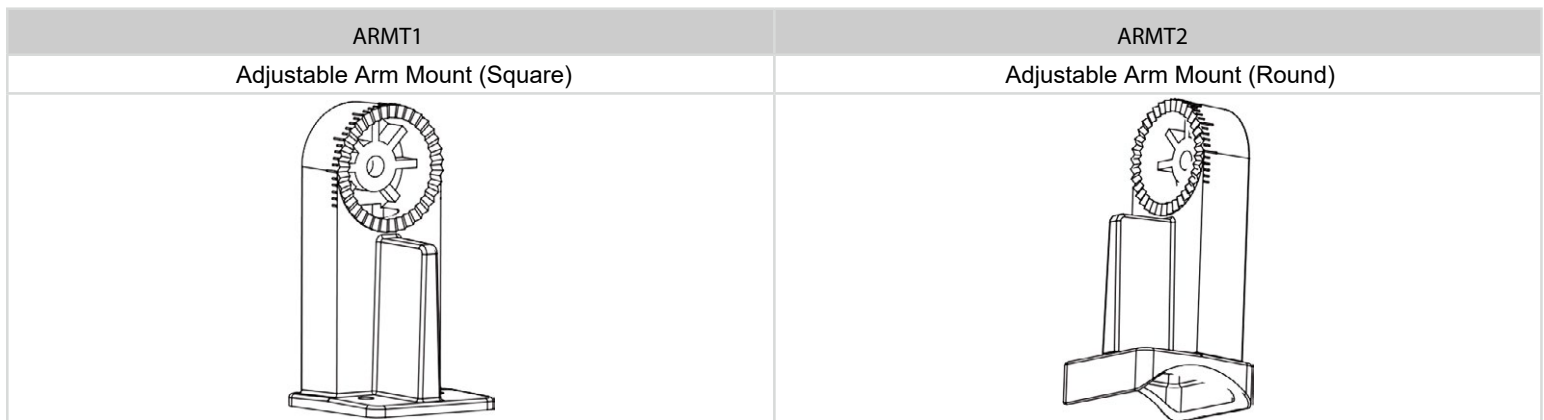
SERIES	WATTAGE			CCT	VOLTAGE	OPTICS		FINISH*
NBAL	25W-48W-80W			30 = 3000K 40 = 4000K 50 = 5000K	V = 100-277V HV = 347-480HV	T2	T3	BLANK = Bronze WH = White BLK = Black SVL = Silver
	100W-150W-200W							
	200W-240W-300W							
	400W	500W	600W			T4	T5	

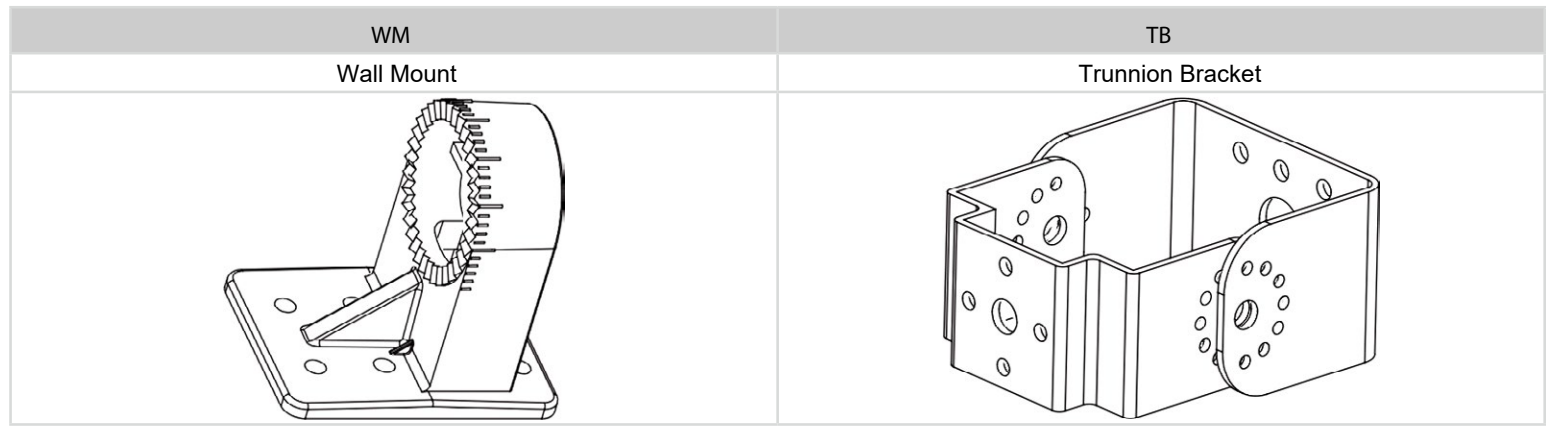
* contact the Nebulite sales team for turnaround time and pricing on finish color customizations

MOUNTING				OPTIONS	
SF	2 3/8" Slip Fitter	ARMT2	Adjustable Arm Mount (Round)	PSJL	JL-205C Photocell Sensor
SF2	3" Slip Fitter	WM	Wall Mount	SDXX	SD05C-277 / SD10C-480
ARMT1	Adjustable Arm Mount (Square)	TB	Trunnion Bracket(Not on 400W+)		

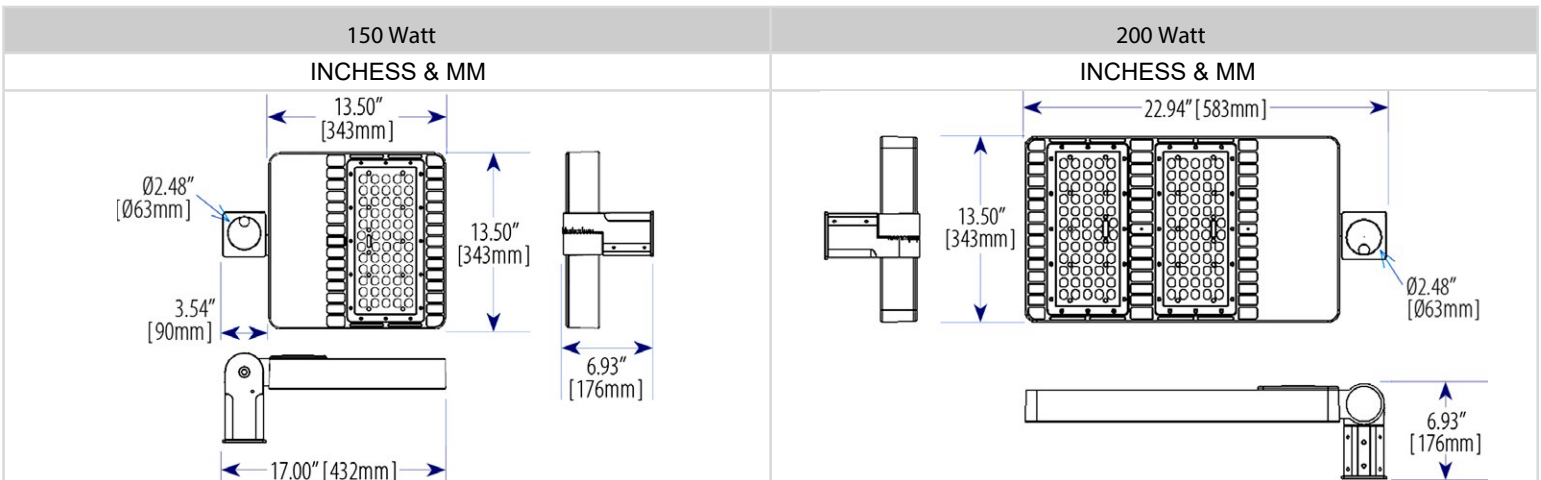
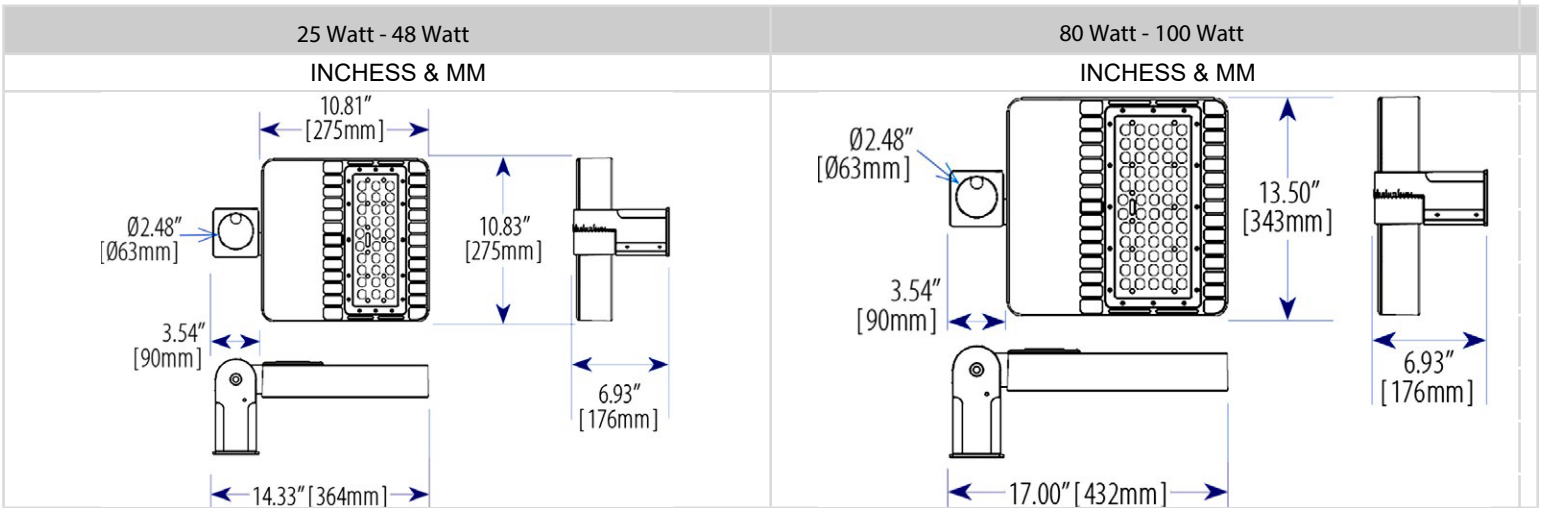
MOUNTING Options

SF	SF2	ARMT1	ARMT2	WB	TB
2 3/8" Slip Fitter	3" Slip Fitter	Adjustable Arm Mount (Square)	Adjustable Arm Mount (Round)	Wall Mount	Trunnion Bracket



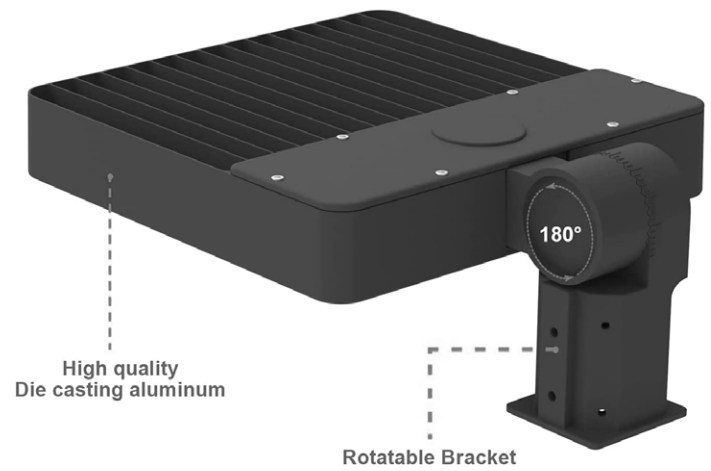
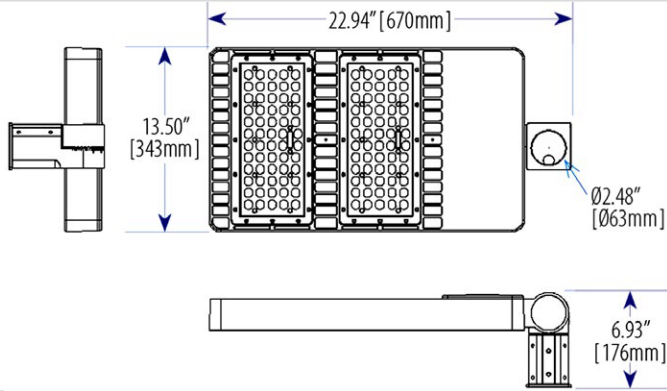


DIMENSIONS



300 Watt

INCHES & MM

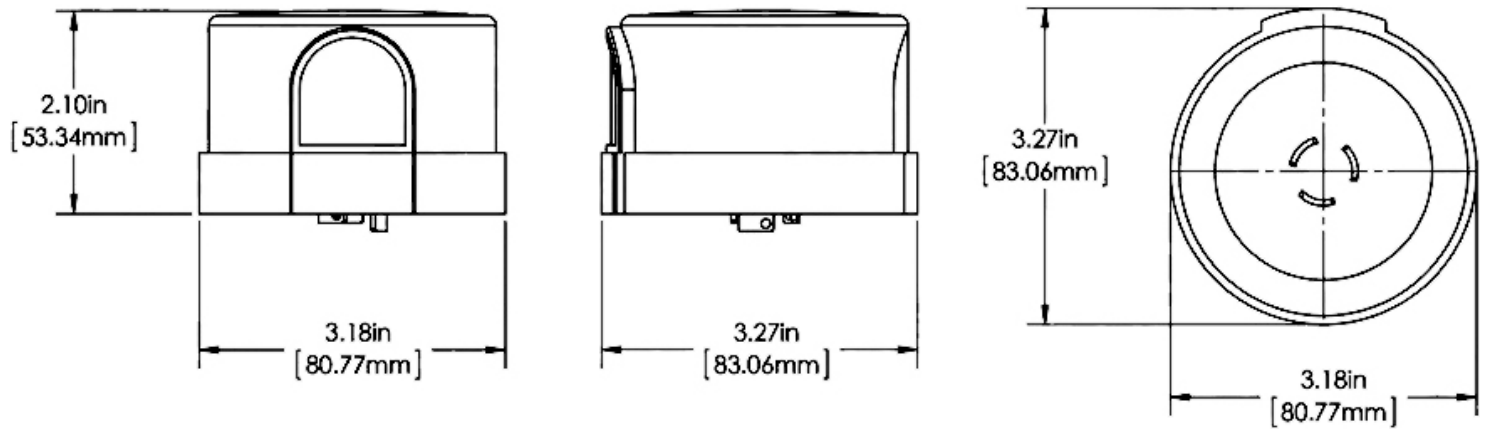


PCN 120-277V TWIST LOCK Photocell Light Sensor Switch JL-205C



Product Model	JL-205C
Rated Voltage	110-277VAC
Applicable Voltage Range	105-305VAC
Rated Frequency	50/60Hz
Rated Loading	1000W Tungsten; 1800VA Ballast
Power Consumption	0.5W [STD] / 0.9W [HP]
On/Off Level	16Lx On 24Lx Off
Ambient Temp.	-40°C ~ +70°C
Related Humidity	99%
Overall Size	84(Dia.) x 66mm
Weight Approx.	110g [STD] / 125g [HP]

DIMENSIONS





UL 1449 Type 4 CA and IEC/EN 61643-11 T2 standards

With thermal protection

Series or Parallel

In: 5kA, 10kA

UOC/Vmax: 10kV, 20kV

Imax: 10kA, 15kA, 25kA

GDT for common mode optional

Rated voltage: 120V, 277V, 347V, 480V

14 AWG wire, lower clamping voltage

IP 66