

### Project Details

PROJECT	
DATE	
TYPE	
PREPARER	



The Field Fit LED Flat Panel is Wattage & CCT selectable, this luminaire provides long-life and uniform illumination, as well as standard 0-10V dimming capability with a flicker free driver. It offers superior energy savings vs. traditional fluorescent troffers. It is available in 3 sizes: 1x4, 2x2, 2x4 and features a sealed design and high-quality reflective panel which improves occupant comfort while maintaining high efficiency output. The Field Fit LED luminaire is the ideal choice for offices, retail stores, schools and other general applications.

# SPECIFICATIONS Product Features

## Construction

- Extruded aluminum frame
- PMMA Optical Lens
- Powder coated white finish
- Integral T-Bar Clips
- Low profile design

## Installation & Mounting

- Surface Mount
- Suspension Kit
- Recessed T-Bar

## Controls & Dimming

- Continuous 0-10 Volt dimming
- 12V Aux
- Bi-level occupancy sensor
- Emergency battery back up
- Bluetooth Mesh (Avi-on Labs)

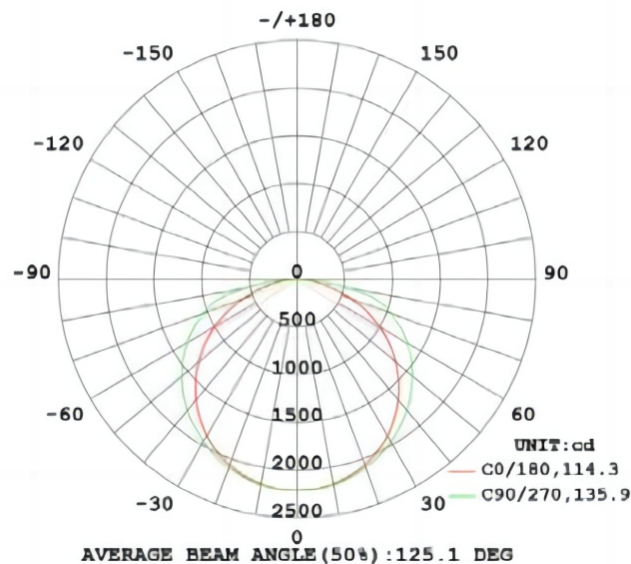
# PERFORMANCE Summary

Input Voltage	100-277V
Input Frequency	50/60 Hz
Rated Wattage	1x4 - 20W-30W-40W 2x2 - 20W-30W-40W 2x4 - 30W-40W-50W
Efficacy	130lm/W
CRI	82
Available CCT	3500K, 4000K, 5000K
Rated Life (L70)	50,000 hrs
IP Rating	IP20
PF	>0.90
Certifications	DLC, CE, RoHS, UL
Working Temp. (°F)	-15°F - 115°F
LED Light Source	SMD 2835

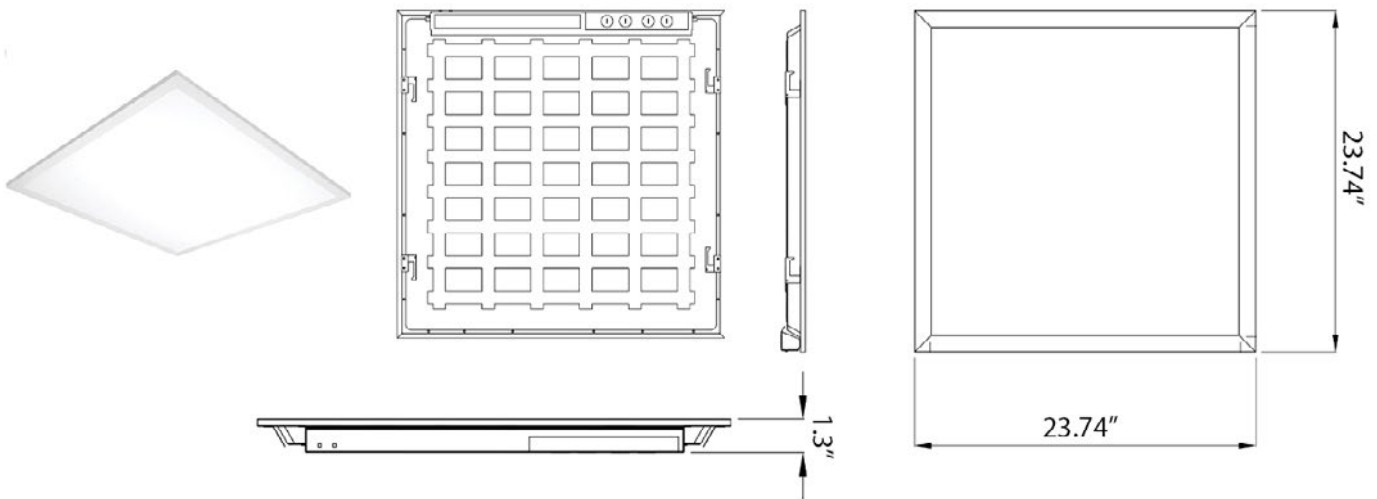
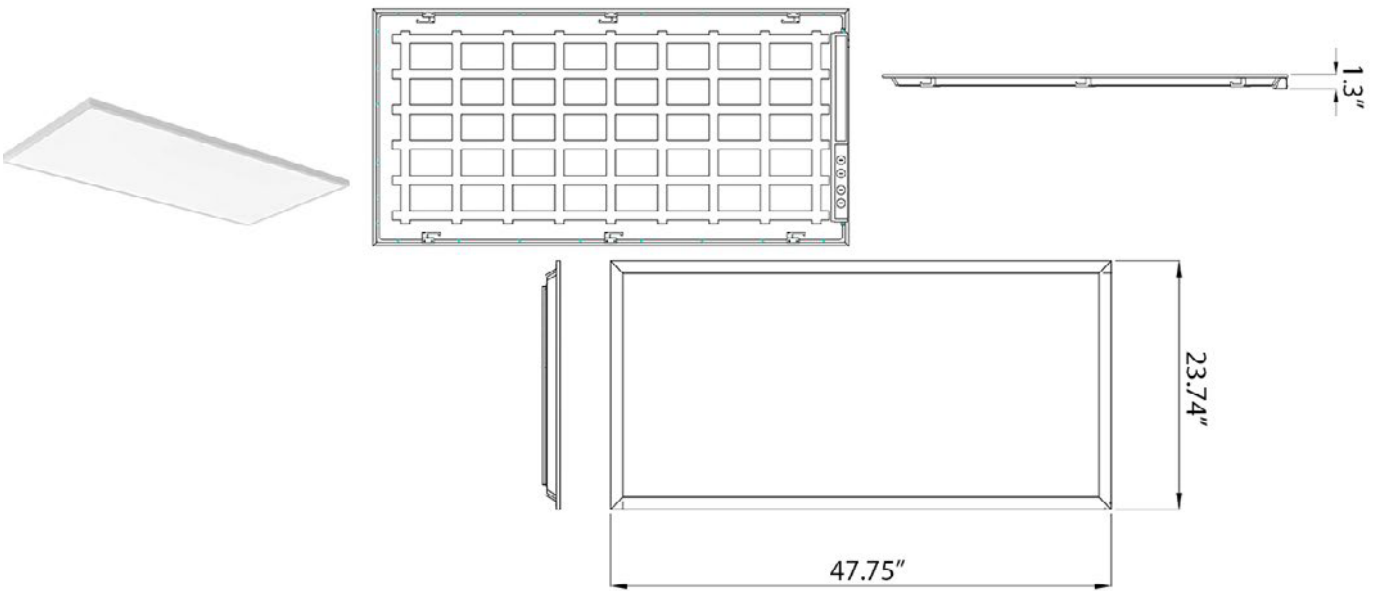
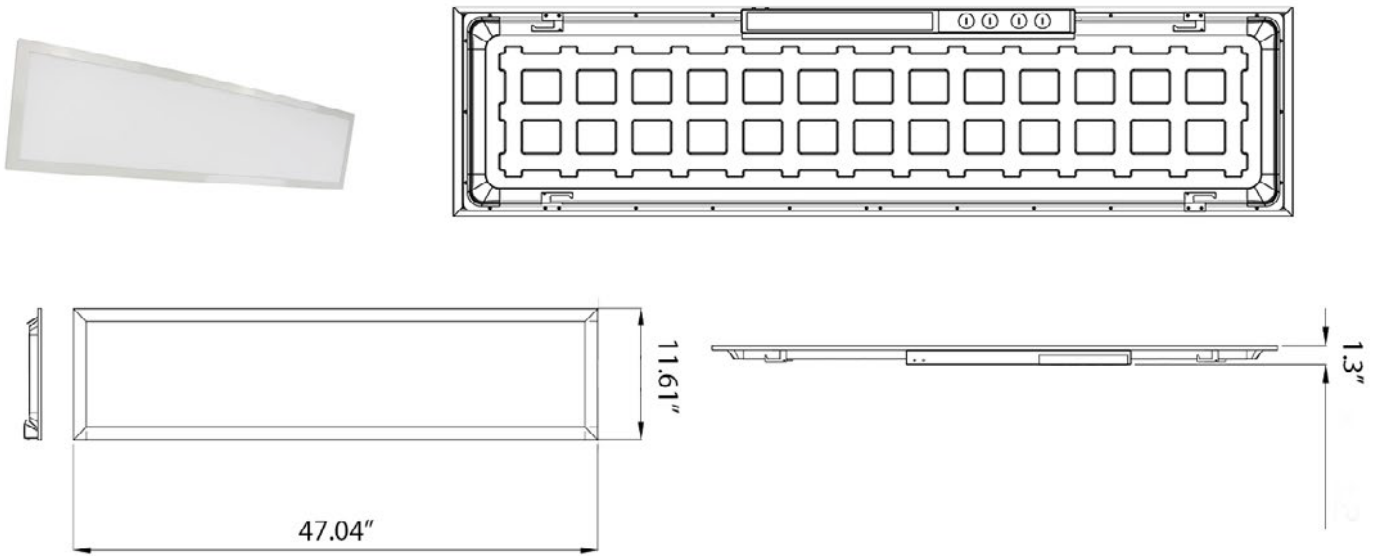


## BEAM Angle

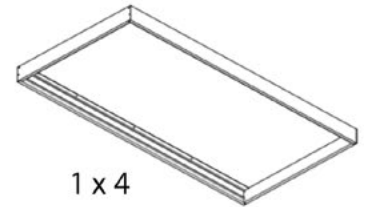
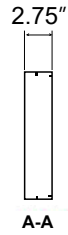
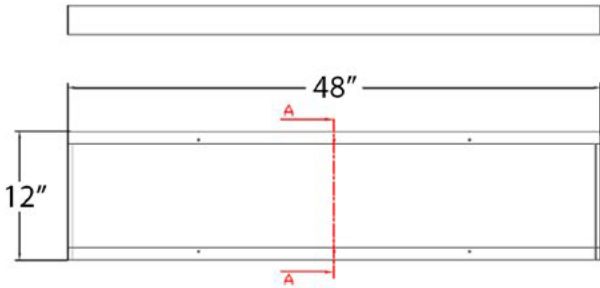
LUMINOUS INTENSITY DISTRIBUTION DIAGRAM



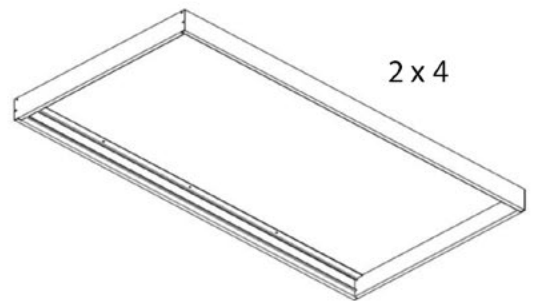
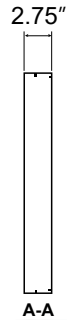
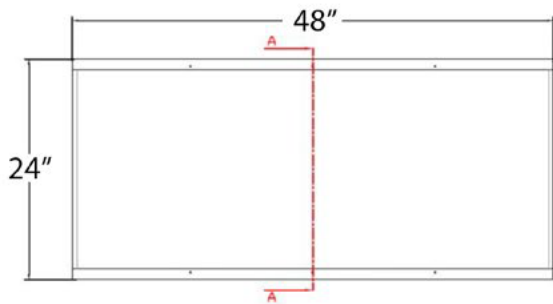
# PRODUCT DIMENSIONS



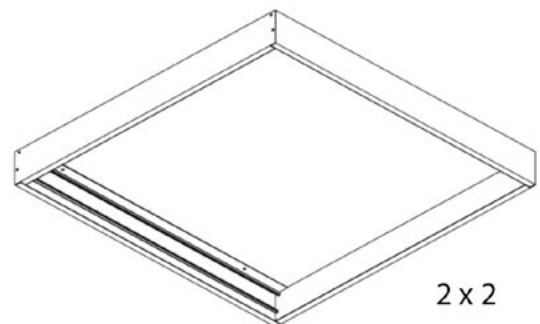
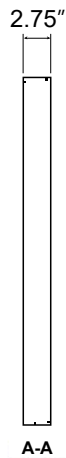
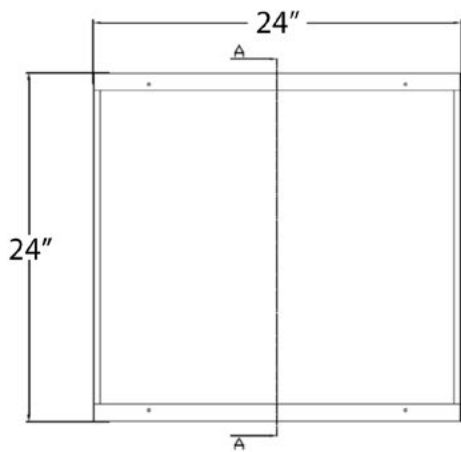
# SURFACE MOUNTED KITS SPECIFICATION



1 x 4

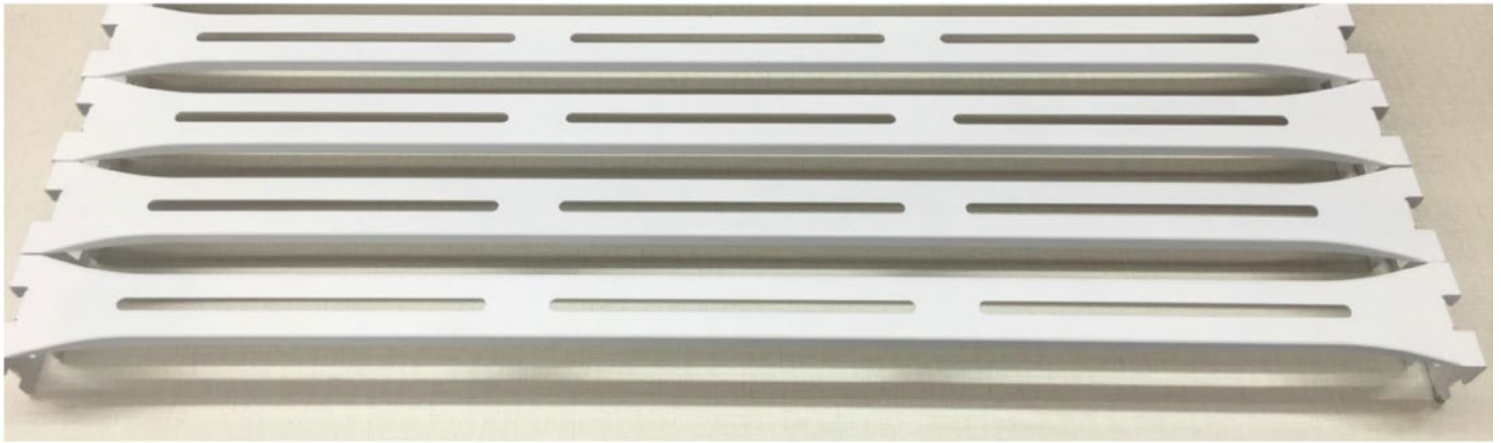
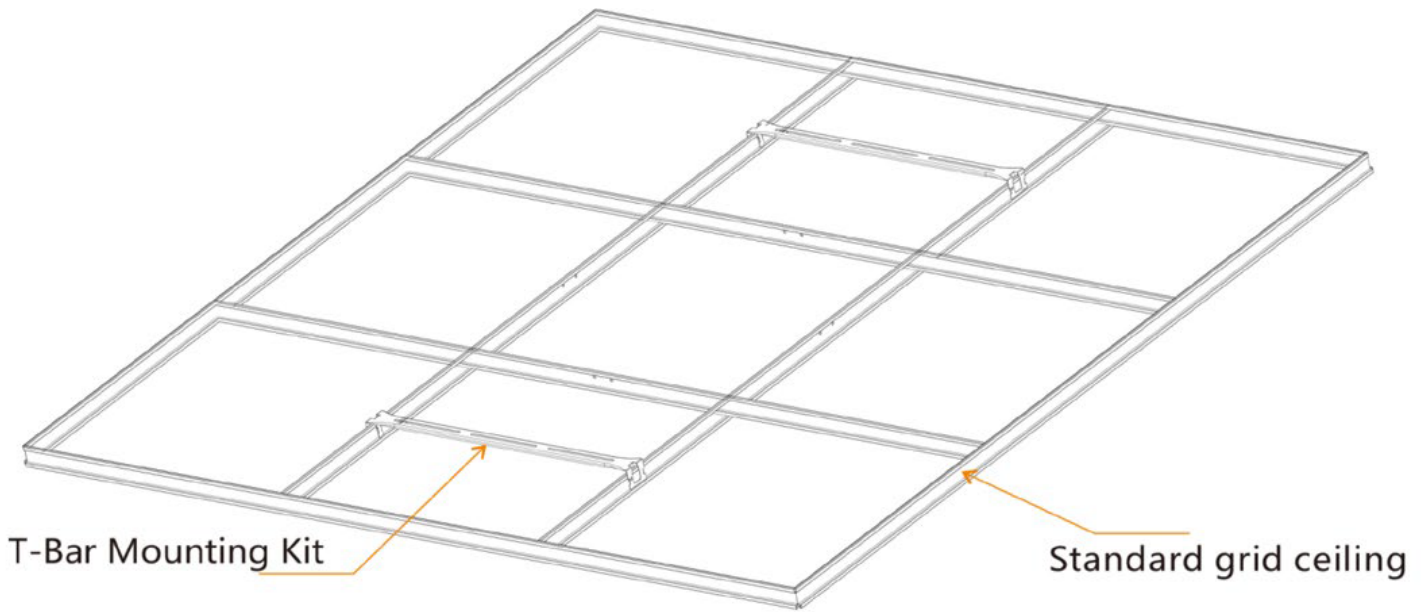


2 x 4

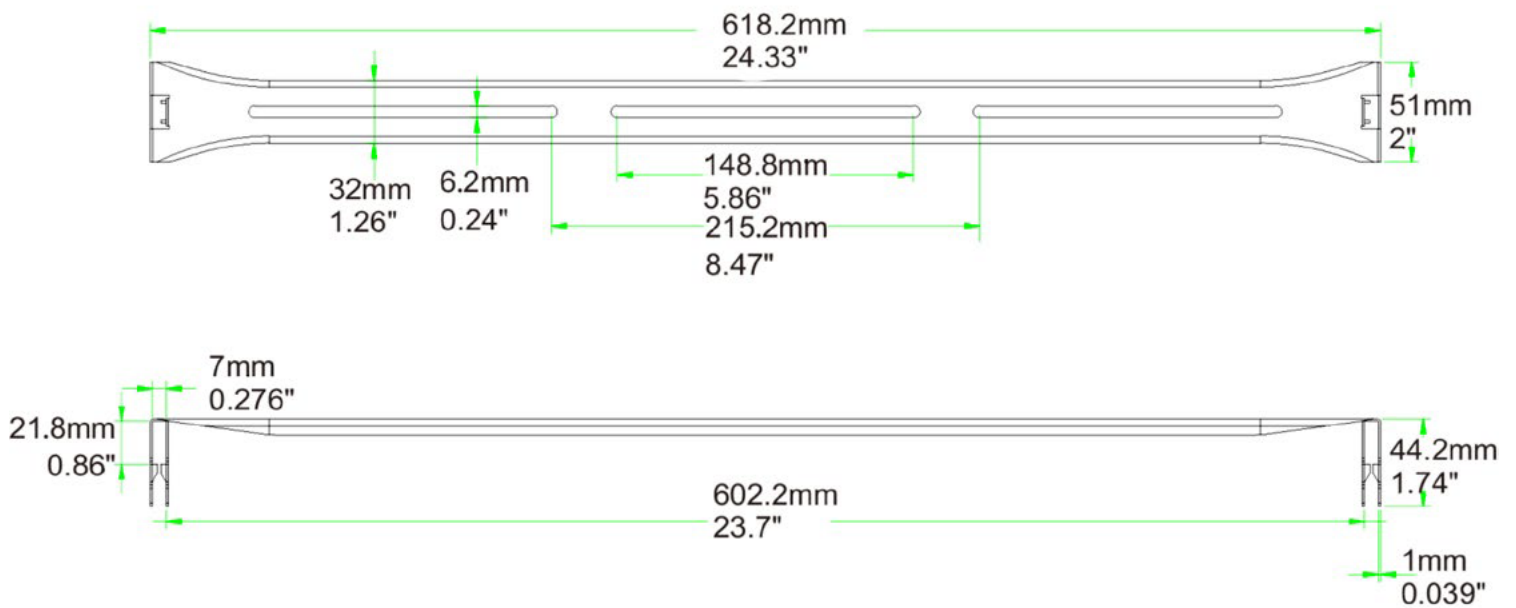


2 x 2

# EM T-BAR MOUNTING KIT



## DIMENSIONS



## PERFORMANCE Data

MODEL	WATTAGE	CCT	LUMEN	EFFICACY (lm/W)	VOLTAGE
NBFP-14-20W-30W-40W	20W, 30W, 40W	3500K, 4000K, 5000K	2600lm, 3900lm, 5200lm	130 lm/W	100-277vac
NBFP-22-20W-30W-40W	20W, 30W, 40W	3500K, 4000K, 5000K	2600lm, 3900lm, 5200lm		
NBFP-24-30W-40W-50W	30W, 40W, 50W	3500K, 4000K, 5000K	3900lm, 5200lm, 6500lm		

## SURFACE MOUNTING KITS

NBSMK-14	Surface Mounting Kit for 1x4 Flat Panel
NBSMK-22	Surface Mounting Kit for 2x2 Flat Panel
NBSMK-24	Surface Mounting Kit for 2x4 Flat Panel

## ORDERING Format

Sample: **NBFP-24-30W-40W-50W-EMB5**

SERIES	SIZE	WATTAGE	CCT	VOLTAGE
NBFP	1X4 = 14	20watt, 30watt, 40wat	35 = 3500K 40 = 4000K 50 = 5000K	BLANK = 100-277V
NBFP	2X2 = 22	20watt, 30watt, 40wat		
NBFP	2X4 = 24	30watt, 40watt, 50wat		

## MOUNTING Options

NBSMK-14	Surface Mounting Kit for 1x4 Flat Panel	EMB5	KT-EMRG-5W	MS	Daylight, OCC & Dimming
NBSMK-22	Surface Mounting Kit for 2x2 Flat Panel	EMB12	KT-EMRG-12W	RC	Programming Tool
NBSMK-24	Surface Mounting Kit for 2x4 Flat Panel	AC	Aircraft Cable 10 FT	BT	Bluetooth Mesh

## LED Emergency Back-up Driver | Dual Flex Conduit | 5W Output | 120-277V Input

<b>Driver Type</b>	Constant Wattage LED Emergency
<b>Max. Output Power</b>	5W
<b>Input Voltage</b>	120-277 Vac $\pm$ 10%
<b>Output Voltage</b>	20 ~ 60 Vdc
<b>Output Current</b>	250mA - 86mA
<b>Warranty</b>	5 Years





## PRODUCT Features

- Drives LED loads at 5W (nominal) for a minimum of 90 minutes
- Meets FCC Part 15 (Class B) consumer limits
- Short circuit overload and open load protection
- Suitable for dry and damp locations
- Safety: UL 924, Complies with CEC Title 20 Efficiency standards
- Operating temperature: 0°C/32°F to 55°C/131°F
- Input frequency: 50/60 Hz
- Test switch/Charging indicator light and wall plate included
- Battery capacity: High-Temperature, Maintenance-Free, LiFePO4 Battery, 9.6Vdc, 3 cell
- Dual flex conduit fits into ½" knockouts
- Listed for field or factory installation: UL 924 and CSA C22.2 no. 141 emergency lighting compliant
- 3A max. pass-through current

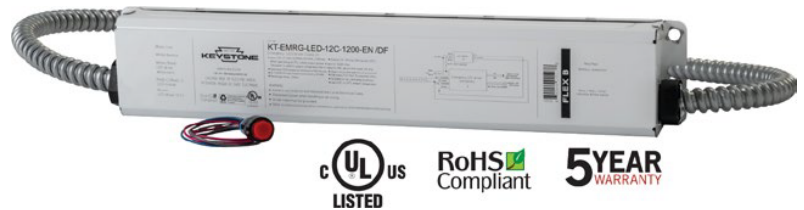
## ELECTRICAL Specifications

Family	INPUT CHARACTERISTICS			OUTPUT CHARACTERISTICS		
	Input Voltage	Power Factor	Max. Current	Max. Output Power	Rated Output Current	Output Voltage
5W	120-277Vac	≥0.5	0.050A @ 120V 0.035A @ 240V 0.030A @ 277V	5W	250mA-86mA	20~60Vdc Class 2 Compliant

Emergency pack designed to deliver 5W to a constant current LED load. Approximate output is 500 lumens, assuming a nominal minimum efficacy of 100 lm/W

## LED Emergency Back-up Driver | Dual Flex Conduit | 12W Output | 120-277V Input

<b>Driver Type</b>	Constant Wattage LED Emergency
<b>Max. Output Power</b>	12W
<b>Input Voltage</b>	120-277 Vac ±10%
<b>Output Voltage</b>	20 ~ 54 Vdc
<b>Output Current</b>	600mA - 250mA
<b>Warranty</b>	5 Years



## PRODUCT Features

- Drives LED loads at 5W (nominal) for a minimum of 90 minutes
- Meets FCC Part 15 (Class B) consumer limits
- Short circuit overload and open load protection
- Suitable for dry and damp locations
- Evaluated to UL 924 standards
- Operating temperature: 0°C/32°F to 55°C/131°F
- Input frequency: 50/60 Hz
- Test switch/Charging indicator light and wall plate included
- LiFePO4 battery: 3 cells, 9.6Vdc
- Dual flex conduit fits into ½" knockouts
- Complies with CEC efficiency standards
- Class 2 output
- Listed for field or factory installation: UL 924 and CSA C22.2 no. 141 emergency lighting compliant

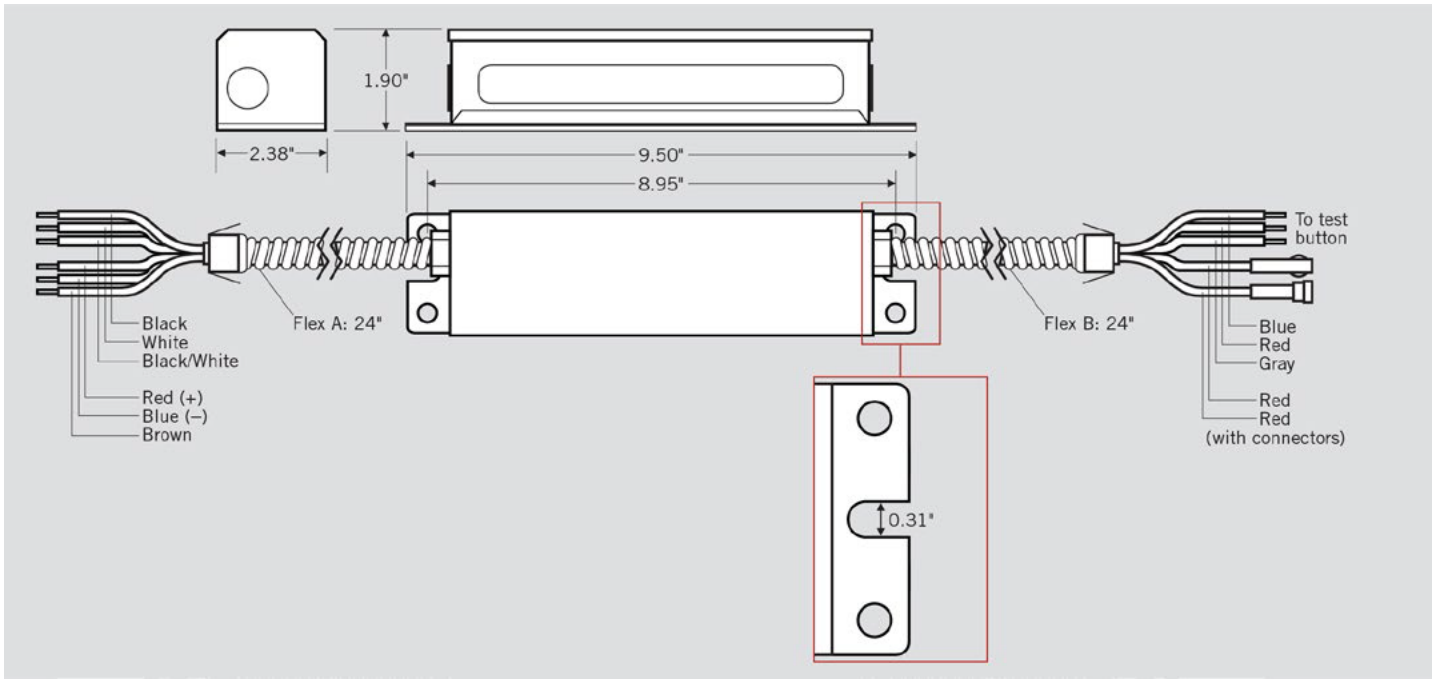
## ELECTRICAL Specifications

Family	INPUT CHARACTERISTICS			OUTPUT CHARACTERISTICS		
	Input Voltage	Power Factor	Max. Current	Max. Output Power	Rated Output Current	Output Voltage
12W	120-277Vac	≥0.5	0.050A @ 120V	12W	600mA - 250mA	20~54Vdc

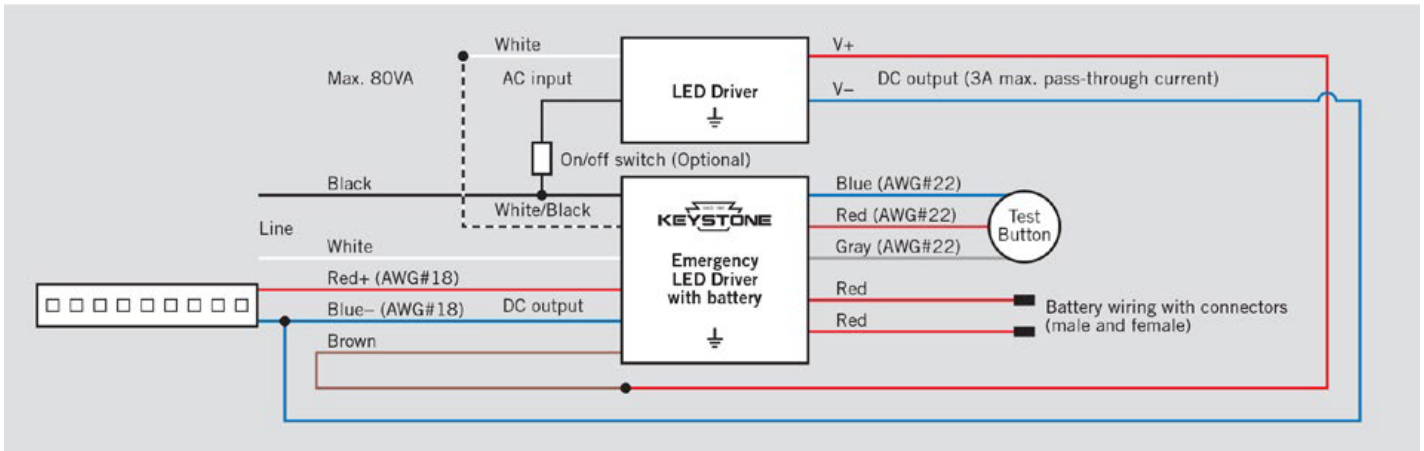
Emergency pack designed to deliver 12W to a constant current LED load. Approximate output is 1200 lumens, assuming a nominal minimum efficacy of 100 lm/W.

Note: Output power will drop slightly when the output voltage is ≥ 49Vdc.

## PHYSICAL Specifications



## WIRING Specifications



## TEST Switch

