




PROJECT DETAILS BOX	
PROJECT	
PRODUCT	
PREPARER	
TYPE	
NOTES	

DESCRIPTION

This LED Outdoor Post Light is a perfect choice for lighting gardens, back and front yards, roadways, pedestrian plazas, hotel pathways and other general outdoor lighting applications. It is a complete replacement of traditional metal halide, high pressure sodium, CFL post light. It contains no lead or mercury and it is suitable for wet locations (IP65). With an L70 Lifespan of 100,000 hours and a working temperature of -40°F~122°F, this LED Post Light features improved energy efficiency and reduced maintenance cost.

SPECIFICATIONS Product Features



Applications: Museums, plazas, shopping malls, gardens, pathways, parks, houses and other general outdoor lighting applications.

Construction

The Garden (PTS) LED Post Top is a DLC Listed post top that is lighter in weight and comes with IES Type III and V distribution. It has a sleek and gooseneck modern design and has no UV and IR radiation with “instant on – no flickering”. It features a die-cast aluminum shell.

Electrical

Voltage:
100-277 Volt

Wattage:
20w, 35w, 50w, 100w

CCT:
3000K, 4000K, 5000K

Installation & Mounting

- Side Arm (Standard)
- Sqare Pole Arm Mount
- Round Pole Arm Mount
- Slip-Fitter Mount

Controls & Dimming

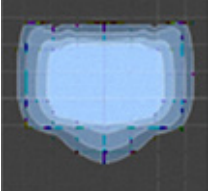
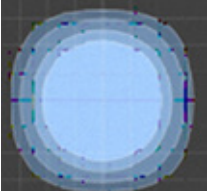
- 0-10 Volt Dimming
- 12 Volt AUX
- Bluetooth Mesh Control
- Button Dusk to Dawn PC (100w)
- Bi-level Occupancy Sensor (20w, 35w, 50w)

Warranty

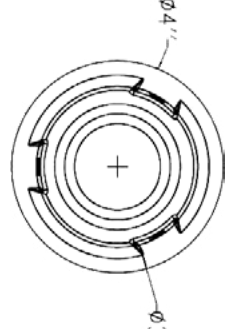
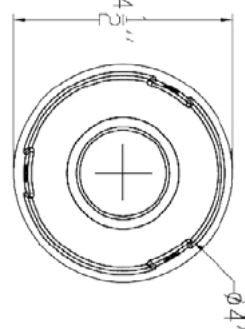
7 Year Limited Warranty



BEAM ANGLE

<p>TYPE III (Optional)</p> 	<p>TYPE V (Optional)</p> 
--	---

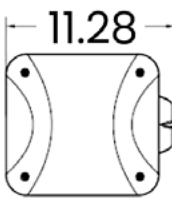
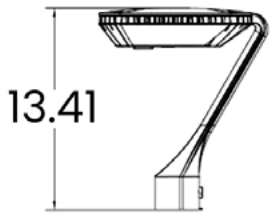
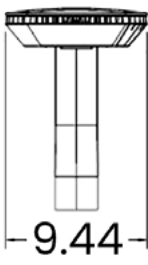
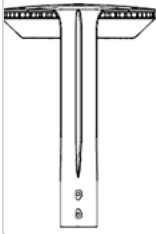
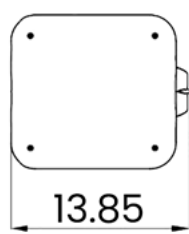
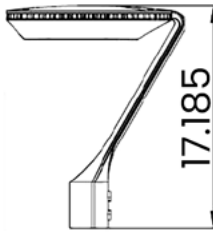
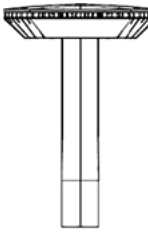
ADAPTOR OPTIONS

<p>3"</p> 	<p>4"</p> 
---	--

Performance Summary

Input Voltage	100-277V
Input Frequency	50/60 Hz
Rated Wattage	20w, 35w, 50w, 100w
Efficacy	130 lm/W
CRI	80+
Available CCT	3000K, 4000K, 5000K
Rated Life (L70)	100,000 hrs
IP Rating	IP65
PF	>0.95
Certifications	ETL, DLC Listed, CE, RoHS
Working Temp. (°C)	40°F~122°F
LED Light Source	SMD 3030 5050


Dimensions (in)

20w - 50w			100w			
						

Performance Data

MODEL	WATTAGE	CCT	LUMEN	EFFICACY (lm/W)	VOLTAGE
NB-PTS-20W	20watt	3000K, 4000K, 5000K	2,600lm	130 lm/W	100-277vac
NB-PTS-35W	35watt	3000K, 4000K, 5000K	4,550lm	130 lm/W	100-277vac
NB-PTS-50W	50watt	3000K, 4000K, 5000K	6,500lm	130 lm/W	100-277vac
NB-PTS-100W	100watt	3000K, 4000K, 5000K	13,000lm	130 lm/W	100-277vac

Ordering Format

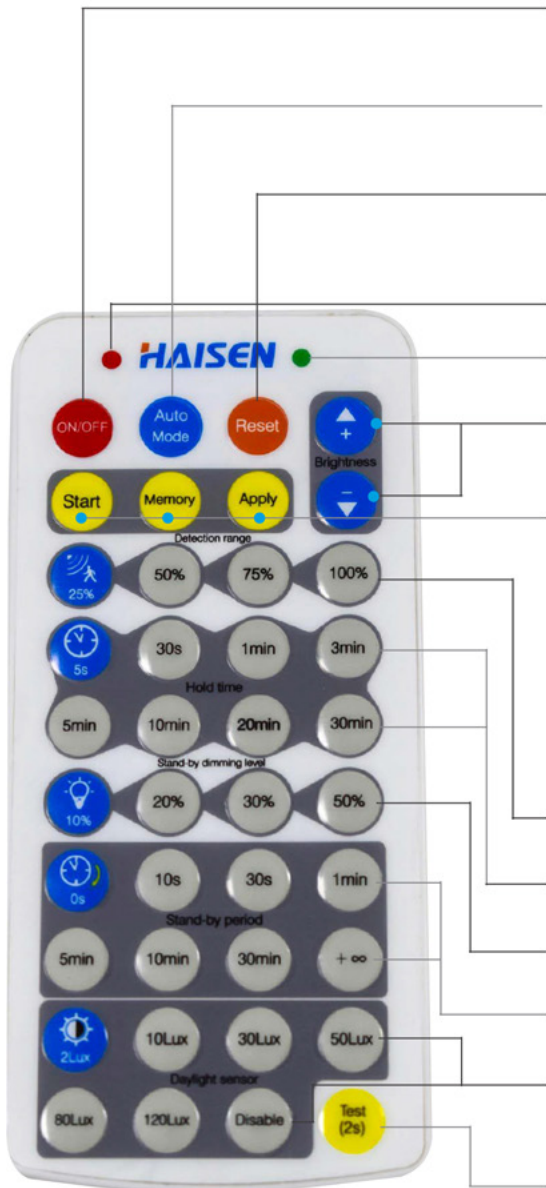
 Sample: **NB-PTS-100W-40-T3**

SERIES	WATTAGE		CCT	VOLTAGE	OPTICS		FINISH*
	20W	35W			T3	T5	
NB-PTS	50W	100W	30 = 3000K 40 = 4000K 50 = 5000K	BLANK = 100-277V	T3	T5	BLANK = Bronze WH = White BLK = Black SVL = Silver

* contact the Nebulite sales team for turnaround time and pricing on finish color customizations

MOUNTING				OPTIONS	
SA	Side Arm (standard)	ARMT1	Adjustable Arm Mount (Square)	HD03R	Remote Control
SF	2 3/8" Slip Fitter	ARMT2	Adjustable Arm Mount (Round)	HD06VCRH 4	Daylight Harvesting
SF2	3" Slip Fitter	WM	Wall Mount	JL-403C	Button Photocell

Remote for Dimmable Sensors with Memory Function (HD03R)



ON/OFF

1. "ON/OFF" key only functions as a switch of the light.
2. If press this button to turn off the lamp before it's short-circuited, the lamp will remain off after power-on again.

Auto Mode

Press "Auto Mode" button, the sensor starts to work and all settings remain the same before the light gets switched on/off.

Reset

1. Press "Reset" button, change brightness to max level.
2. Press "Reset" button, products with DIP switch will be controlled by DIP switches; otherwise all the setting will be just initial, that is 100% detection range, hold time 5S, no stand-by time and daylight threshold disabled.

Flick after press any button

Flick only after press "Apply" button

+/-

1. To adjust brightness 10-100% in on/off mode.
2. To adjust highest brightenss 60-100% in sensor mode.

Start

Press "Start" to customize scene, users can change detection range, daylight threshold, holdtime, standby dimming level and standby period.

Memory

1. Press "Memory" to save all the settings.
2. The settings remained as the last time if not get resetted values.

Apply

1. Press "Apply" to deliver the saved setting.
2. Press "Apply" without "memory" will make all the setting one-time operation.
3. Settings should be done within 30S, otherwise it exits memory mode.



Detection area (Press to define detection area 100%/75%/50%/25%.)



Hold time (Press to define holdtime 5s/30s/1min/3min /5min/10min/20min/30min .)



Stand-by dimming level (Press to define stand-by dimming level 10%/20%/30%/50%.)



Stand-by period (Press to define stand-by period 0s/10s/30s/1min/5min/10min/30min/+∞.)

Note: "0s" means no standby period; "+∞" means unlimited standby period.



Daylight threshold (Press to define daylight level 2Lux/10Lux/30Lux/50Lux/80Lux/120Lux/Disable.)

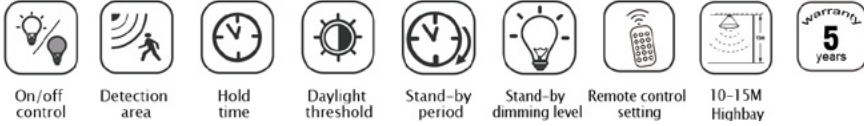
Note: Disable means light will be turned on once sensor detects movement, regardless of the ambient lux.

Test (2s)

The button "Test (2s)" is for testing purpose after commissioning. Pressing this button, the sensor goes to test mode (hold time is only 2s)

Daylight Harvesting 15M Highbay (HD06VCRH 4)

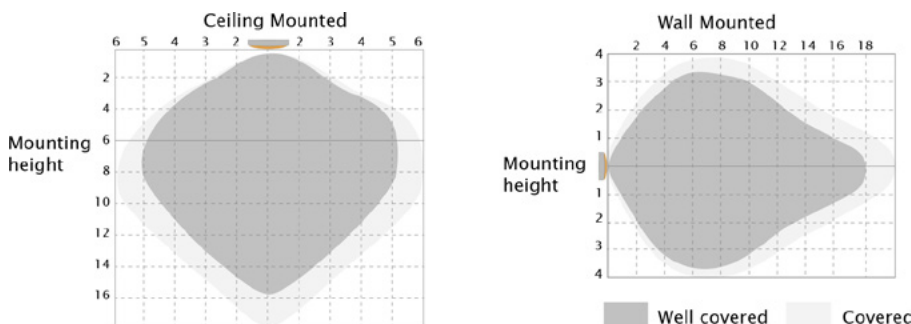
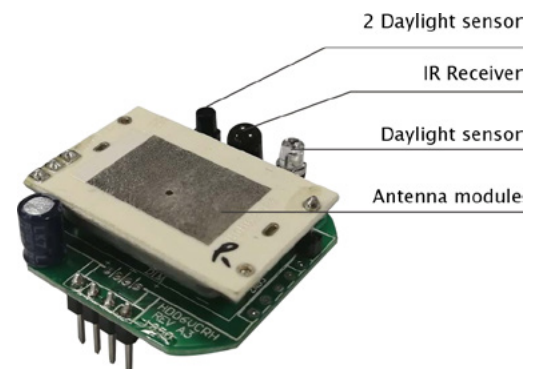
1. Daylight Harvesting
2. Optional detection range, holdtime, daylight threshold, Stand-by period and Stand-by dimming level.
3. Remote control.
4. 5 year warranty.


Technical Data

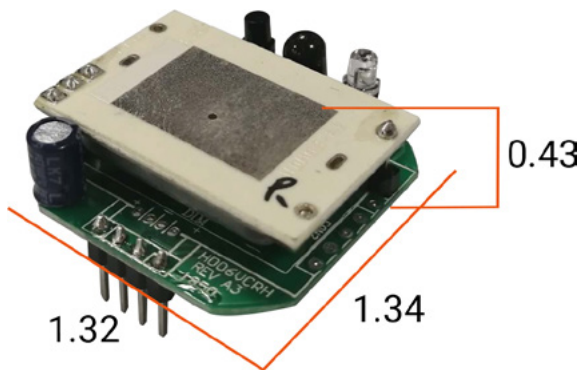
Operating voltage	10-15VDC
Operating current	<30mA
Output	DIM 0-10V
Stand-by power	≤0.5W
Detection area	25%/50%/75%/100%
Hold time	5s/30s/1min/3min/5min/10min/20min/30min
Daylight threshold	2Lux/10Lux/30Lux/50Lux/80Lux/120Lux/Disable
Stand-by period	0s/10s/30s/1min/5min/10min/30min/+∞
Stand-by dimming level	10%/20%/30%/50%
Microwave frequency	5.8GHz±75MHz
Microwave power	<0.3mW
Mounting height	15m/49.2ft (ceiling mounted)
Detection range	Max,∅14m/45.92ft (ceiling mounted)
Operating temperature	-20°C~+60°C
Motion detection	0.5~1.5m/s
IP rating	IP20
Warranty	5 years

Detection Coverage

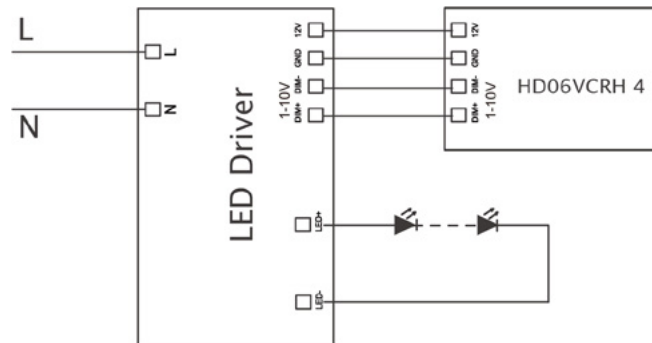
Typical installation height 15m
 This figure indicates the maximum distance at the highest mounting height with 100% sensitivity.


Installation Method


Dimensions (inch)

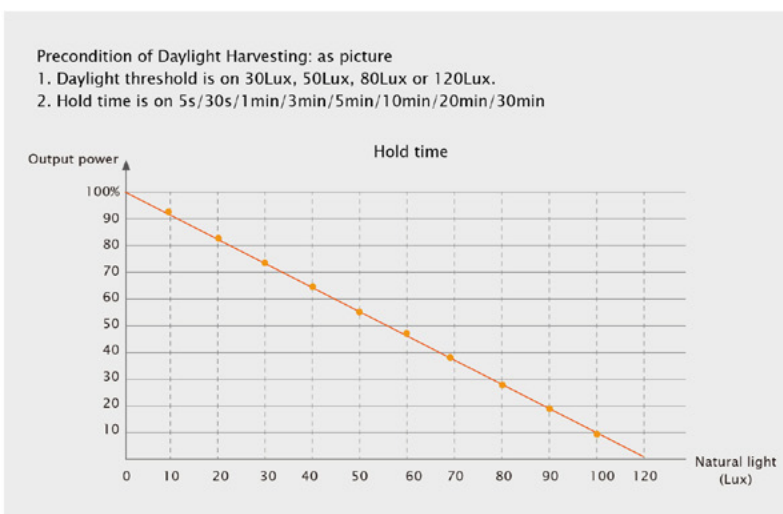
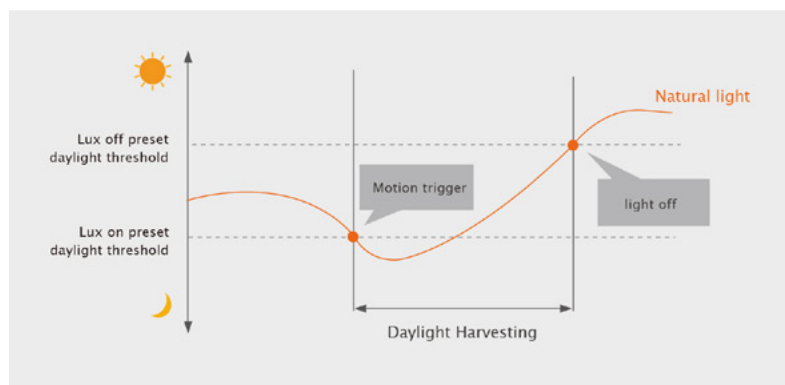


Wiring Diagram

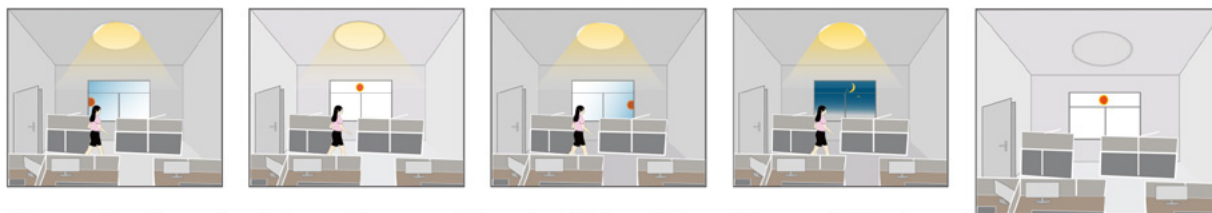


Daylight Harvesting

When ambient lux value is lower than preset lux value(30Lux, 50Lux, 80Lux or 120Lux), light on when detect movement and adjust artificial lighting to keep the brightness balancing; When ambient brightness is higher than preset lux value, lamp will still remain off even no movement detected.



Application of Daylight Harvesting



When ambient lux value is lower than preset lux value(30Lux, 50Lux, 80Lux or 120Lux), light on when detect movement and adjust artificial lighting to keep the brightness balancing; When ambient brightness is higher than preset lux value, light off.

When ambient brightness is higher than preset lux level, light will automatically turn off.

Application

1. Automatically ON/OFF function:

The daylight threshold is set to "2Lux or 10Lux"

The stand-by period is set to 0s.

Light on when detect movement and off after people leave at night. Applications: Corridor, Staircase.



With sufficient daylight, even when motion detected, light remains OFF.



With insufficient daylight, when motion detected, light ON.



After the last detection and the present hold time elapsed, light OFF.

2. No daylight function

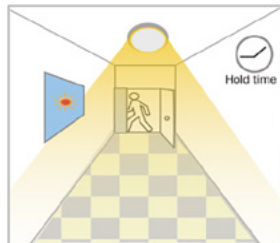
The daylight threshold is set to "Disable".

Light on when detect movement, After people leave, Light off after stand-by period.

Applications: Dim places such as Basement Parking, Underpass.



When motion is detected, the sensor will switch on the light to 100% brightness.



After people leave the detection area, light remains 100% brightness within hold time.



After the last detection and the present hold time elapsed, light OFF.

3. Function Demo - Dimmable control/Corridor function

The daylight threshold is set to "2Lux or 10Lux"

The stand-by period is set to 10s/30s/1min/5min/10min/30min.

Light on when detect movement and off after people leave at night. Applications: Corridor, Staircase.



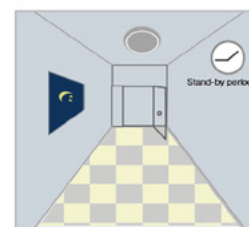
With sufficient daylight, even when motion detected, light remains OFF.



With insufficient daylight, when motion detected, light ON.



After last detection, the light will be dimmed down to the stand-by dimming level (10%,20%,30% or 50%) after holdtime.



After the stand-by period, light OFF.

Attention

1. Please read the instructions carefully before using this product and keep it well for all users to read at any time.
2. The sensor should be installed by qualified electrician and ensure power is off before the installation.
3. We reserve the right to modify any incorrect text, image and necessary technical parameters.
4. Any unauthorized modification is forbidden, otherwise all guarantees will be immediately invalid.

Installation Precautions

1. Microwave sensor can be installed in any lamp except the one with full metal shell.
2. The detected surface cannot be shielded by metal objects.
3. Make sure the microwave module is completely exposed outside.
4. The detection surface of the sensor module shall be installed facing the detection area.
5. Should be kept away from the driver to avoid interference generation and lamp flashing.
6. Wiring must be strictly in accordance with the wiring diagram to avoid short circuit.

Application Environment

1. Suitable for indoor installation to avoid false triggering due to external factors such as rain, wind or tree swing.
2. Shall not be installed in the place with all four metal shelters and small space (such as galvanized-iron roof).
3. Shall note be mounted installation, so as to avoid false trigger caused by the lamp itself shaking.
4. Shall not be installed next to large operating machines such as ventilator/ceiling fan to avoid false triggering caused by machine vibration.

User Notes

1. Microwave can penetrate walls or glass thinner than 20cm and attenuate if thicker than 20cm.
2. The driver voltage shall be stable and float within 10%.
3. Detection area will be affected by speed of motion, mounting height and movement volume.
4. Conduct test on sunny days without the lampshade which will affect the tested lux value.