

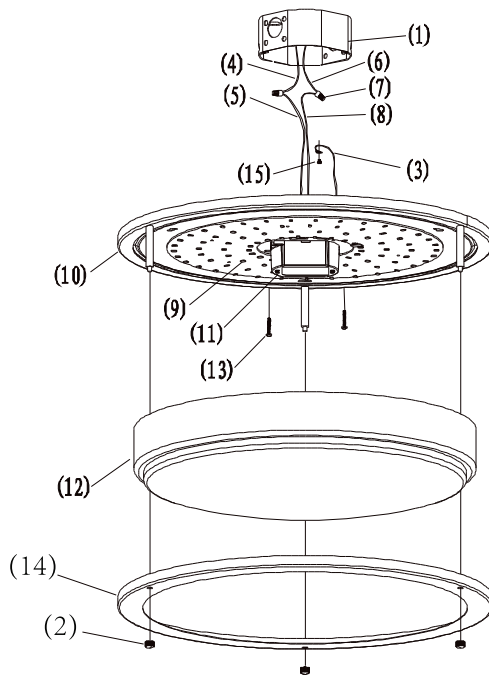


ASSEMBLY AND INSTALLATION

L23FM16ALDIM40K Item # 817

1. Turn off the power.
2. Remove the top ring (14) from the lamp by loosening the three screw (2). Remove the cover lens (12) from the fixture housing (10). Position your fixture over the junctionbox (1).
3. Pull the supply wires (6) and ground wire out from the junctionbox (1).
4. connect the ground wire to the junctionbox by ground screw(15). Connect the white supply wire (4) to the white fixture wire (5), connect black supply wire (6) to the black fixture wire(8) by using wire connectors (7). Carefully tuck all wires back into the junction box (1).
5. Locate the Fixture Housing(10) over the junction Box (1), Put the fixture screw through the long hole slot on the Fixture housing (10) and thread into the junctionbox(1). Then secure the Fixture housing(10)to the junctionbox(1)by tightening the two Fixture Screws(13).
6. Secure the cover lens (12) and the top ring to the fixture housing by tightening the three screw(2).

INSTALLATION IS NOW COMPLETED



- 1.JUNCTIONBOX
- 2.SCREW
- 3.FIXTURE GROUND WIRE
- 4.WHITE SUPPLY WIRE
- 5.WHITE FIXTURE WIRE
- 6.BLACK SUPPLY WIRE
- 7.WIRE CONNECTOR
- 8.BLACK FIXTURE WIRE
- 9.LED BOARD
- 10.FIXTURE HOUSING
- 11.LED DRIVE
- 12.COVER LENS
- 13.FIXTURE SCREW
- 14.TOP RING
- 15.GROUND SCREW

Caution:

- i) Please read and follow the Instruction carefully before installation.
- ii) For indoor use only.
- iii) Only installed by licensed electrician or technician that have electrical knowledge and fully understand the safety requirements.
- iv) Power must be turned off during installation and servicing
- v) Limited Warranty.
- vi) Only operate product with voltage and frequency stated on this instruction, to operate product at different voltage and frequency will affect the life of product.