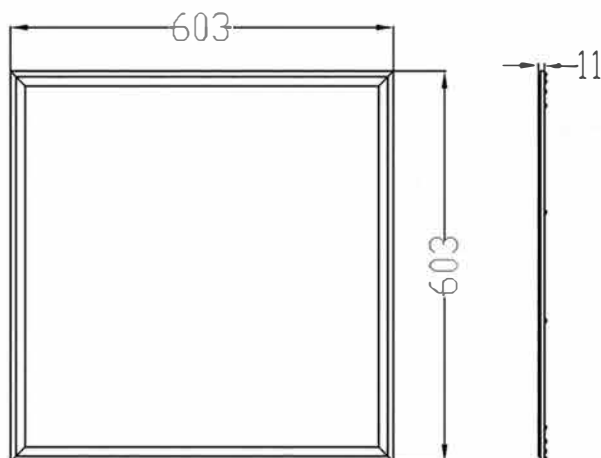


## Dimension:

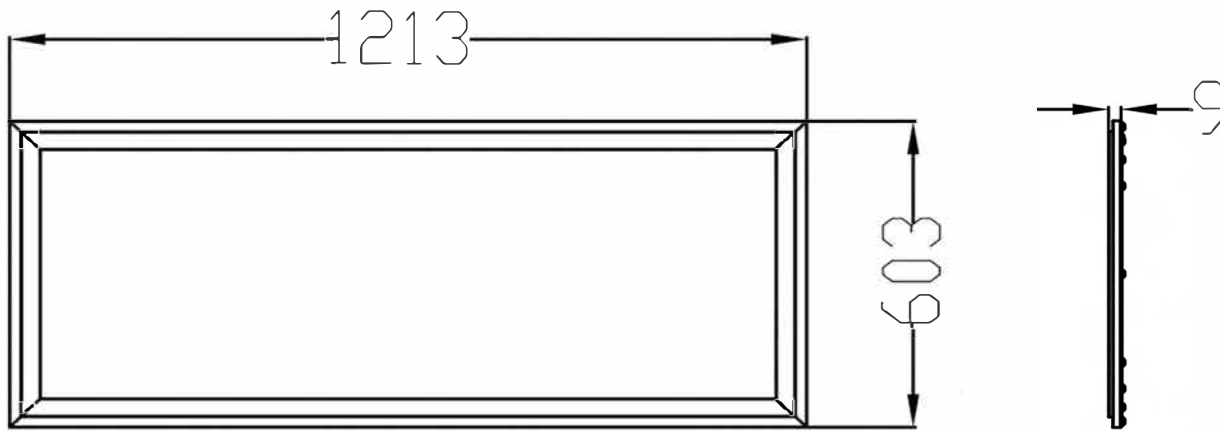


unit:mm

## Technical Parameters:

Model		PL40W6628TG01	
Product Specification	Material	AL + PMMA	
	LED Type	SMD-2835	
	LED QTY	192pcs	
Electrical Parameters	Power	40W	
	Input Voltage	100-277Vac	
	Output Voltage	34-38Vdc	
	Power Efficiency	≥0.9	
Optical Parameters	Luminosity	3600/4000/4800Lm+10%	
	Illumination	2M	300/330/400Lux
		4M	76/85/100Lux
		6M	34/38/44Lux
	Light Efficiency	90/100/120Lm/W+10%	
	CRI	≥80	
	Color Temperature	4000K/5000K	
Beam Angle	180°		
Package	Package Size(mm)	633*395*633mm	
	QTY of Package	5pcs	
	Piece Weight(Kg)	4.0Kg	
	Net Weight(Kg)	3.5Kg	
	Gross Weight(Kg)	21.6Kg	
Lamp Type		II	
Installation		Bare	
IP Rate		IP50	
Lifespan		50.000h	
Working Temperature		-25°C-50°C	

Dimension:

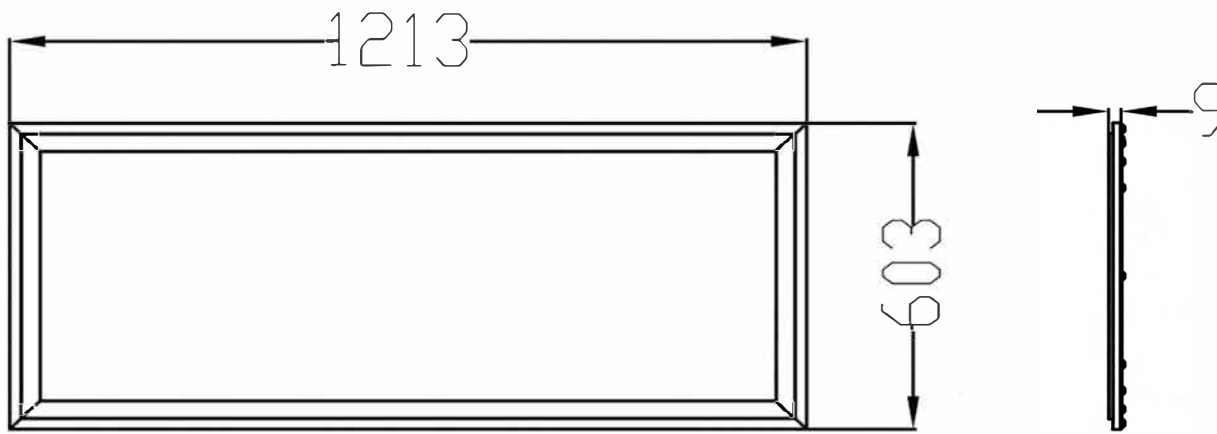


unit:mm

Technical Parameters:

Model		PL50W12628TG09	
Product Specification	Material	AL + PMMA	
	LED Type	SMD-2835	
	LED QTY	288pcs	
Electrical Parameters	Power	50W	
	Input Voltage	100-277Vac	
	Output Voltage	34-38Vdc	
	Power Efficiency	≥0.9	
Optical Parameters	Luminosity	5000/5500Lm ± 10%	
	Illumination	2M	440/480Lux
		4M	110/120Lux
		6M	49/55Lux
	Light Efficiency	100/110/Lm/W+10%	
	CRI	≥80	
	Color Temperature	4000K/5000K	
Beam Angle	180°		
Package	Package Size(mm)	1263*255*653mm	
	QTY of Package	3pcs	
	Piece Weight(Kg)	7.5Kg	
	Net Weight(Kg)	6.5Kg	
	Gross Weight(Kg)	24.5Kg	
Lamp Type		II	
Installation		Bare	
IP Rate		IP50	
Lifespan		50.000h	
Working Temperature		-25°C-50°C	

Dimension:

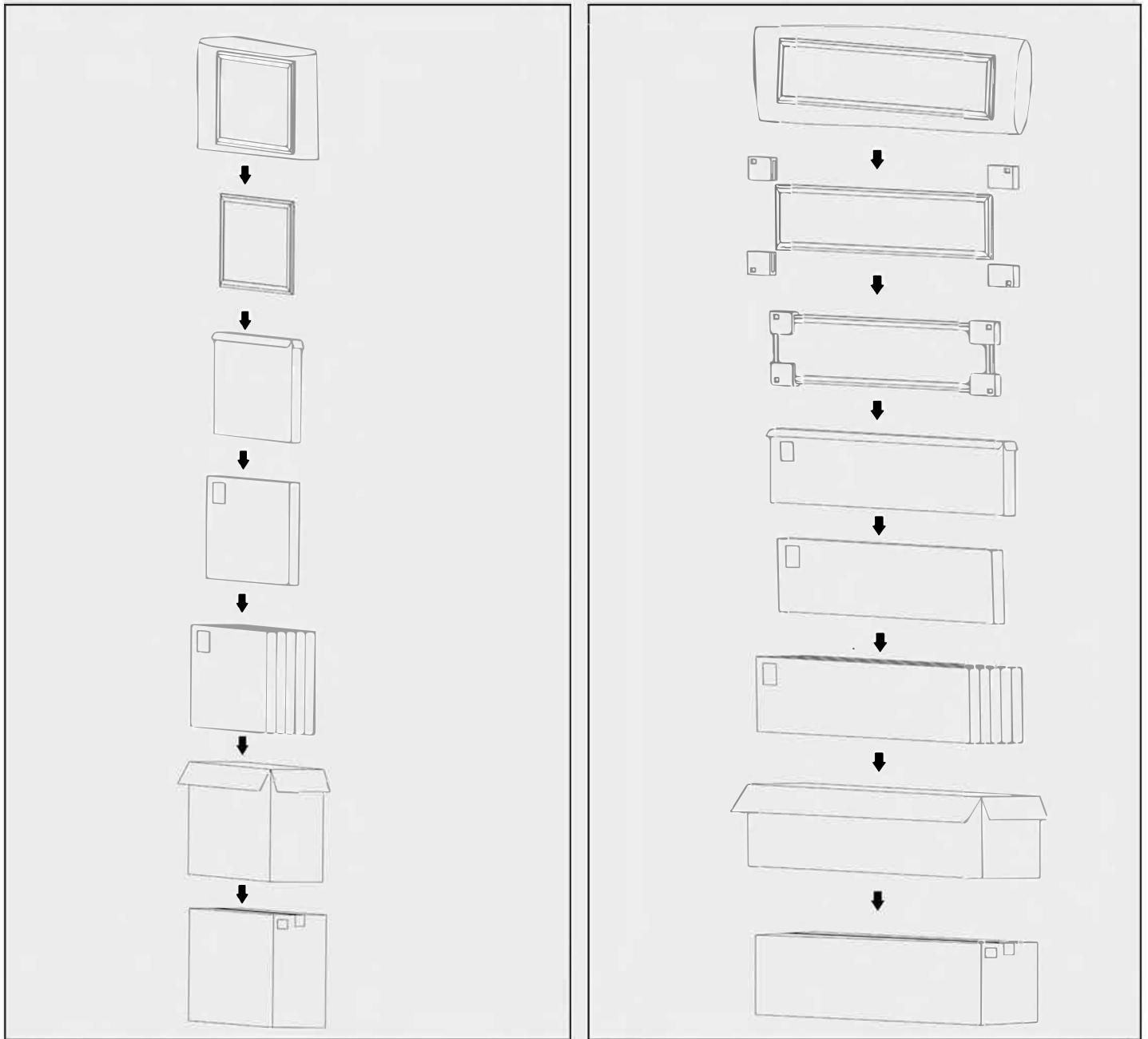


unit:mm

Technical Parameters:

Model		PL72W12628TG01	
Product Specification	Material	AL + PMMA	
	LED Type	SMD-2835	
	LED QTY	384pcs	
Electrical Parameters	Power	72W	
	Input Voltage	100-277Vac	
	Output Voltage	34-38Vdc	
	Power Efficiency	≥0.9	
Optical Parameters	Luminosity	7200/7900Lm+10%	
	Illumination	2M	630/390Lux
		4M	158/175Lux
		6M	70/78Lux
	Light Efficiency	100/110Lm/W+10%	
	CRI	≥80	
	Color Temperature	4000K/5000K	
Beam Angle	180°		
Package	Package Size(mm)	1263*255*653mm	
	QTY of Package	3pcs	
	Piece Weight(Kg)	7.5Kg	
	Net Weight(Kg)	6.5Kg	
	Gross Weight(Kg)	24.5Kg	
Lamp Type		II	
Installation		Bare	
IP Rate		IP50	
Lifespan		50.000h	
Working Temperature		-25°C-50°C	

## Packing Instruction:



## Features:

- ▶ The Ray is more soft and more even by adopt diffuse cover to scatter.
- ▶ Close structure design, small volume, soft weight, vibration-proof.
- ▶ Eco-friendly, no mercury pollution and materials can be recycled again.
- ▶ For the whole body to adopt high-efficient heat sink aluminum of design, better heat dissipation, profitably improve the LED lifetime when working.