

FEATURES

- Input = 120-277V, 50-60Hz
- Standby power = 0.6W
- Max current = 3A
- Rated for indoor use only
- MAX range = 100ft

ORDERING INFORMATION

MODEL	DESCRIPTION
PPA102S	BLUETOOTH CONTROL MODULE

APP SET UP



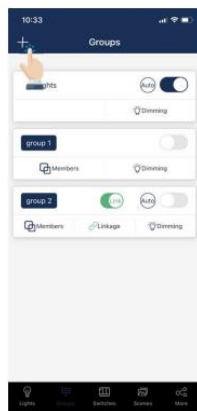
Keilton iOS



Keilton Android
@GooglePlay



Control Individual Lights



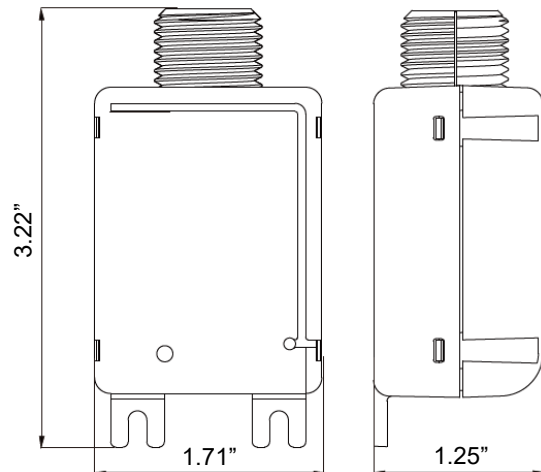
Set Lighting Groups



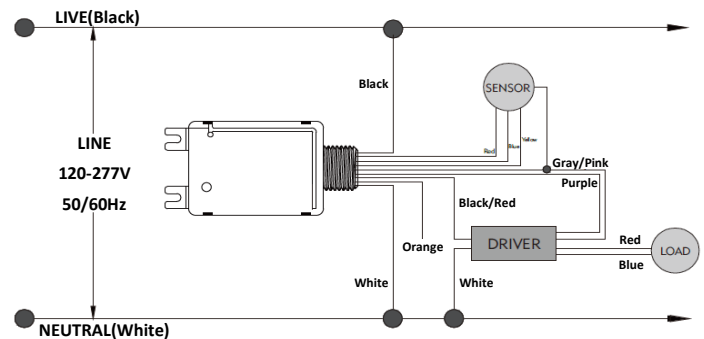
Set Schedules and Scenes



LINE DRAWING



WIRING SCHEMATIC



Housing mounts into standard 1/2" knockout on lighting fixture or junction box.
Wire feed through knockout for connection inside lighting fixture or junction box.