



JOB NAME:

CAT#:

TYPE:

## APPLICATIONS

This premium quality recessed architectural volumetric is available with 4 different unique diffusers. The different designs reflect popular themes in architectural design trends, allowing these luminaires to have versatility across a variety of commercial spaces. Ideal applications include all commercial and industrial buildings requiring general illumination with reversed configuration.

Housing is die-formed and embossed from cold rolled steel. Wiring access plate and knockouts are provided on back of housing allowing for flexible greenfield attachment. Driver cover snaps easily into place eliminating the need for tools when accessing the driver. Acrylic lens is held within a hinged steel frame door. The heavy gauge door frame hinges downward on either side and is held in the closed position by two positive cam latches. Knockouts are provided on ends for continuous wiring.



## FEATURES & BENEFITS

- Min CRI 82
- $L_{70} > 60,000$  hrs
- IC Rated
- Corrosion and scratch resistant
- Smooth edges for easy handling
- Ends are secured by snap-in interlocking system
- Exclusive "Light Lock" frame reduces light leaks
- Flush steel door with rotary action cam latches and hinges from either side
- Easy access plate for quick wiring
- Equipped with Integral Earthquake Clips
- $cETL_{US}$  listed for damp locations up to 95 watts

Dimensions and specifications subject to change without notice.





JOB NAME:

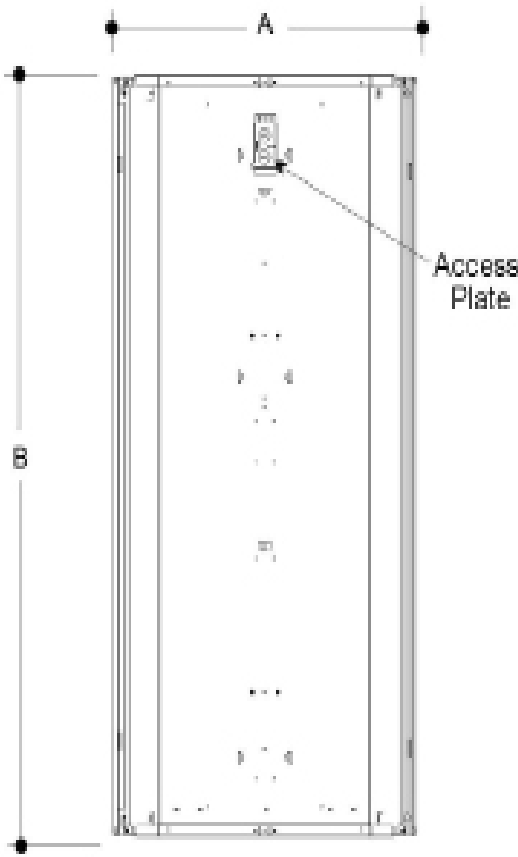
CAT#:

TYPE:

**DIMENSIONS**

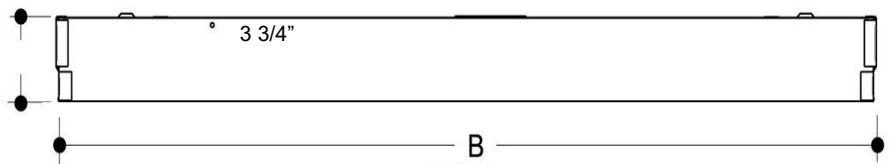
MODEL CONFIGURATION	A	
2' x 2'	23 3/4"	23 3/4"
2' x 4'	23 3/4"	47 3/4"

**TOP VIEWS**

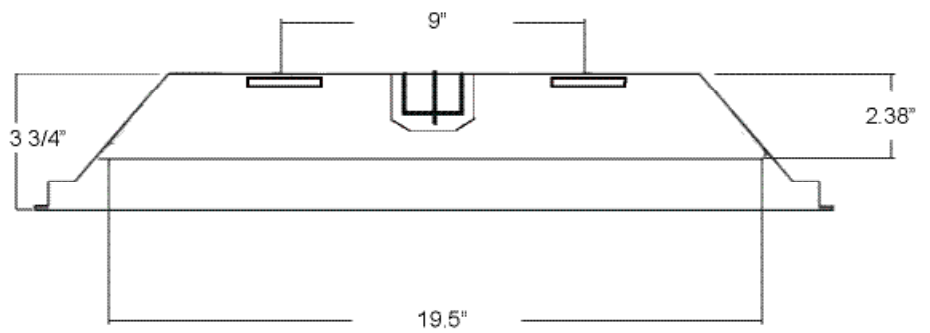


**SIDE VIEW**

**B**



**END VIEW**



Dimensions and specifications subject to change without notice.



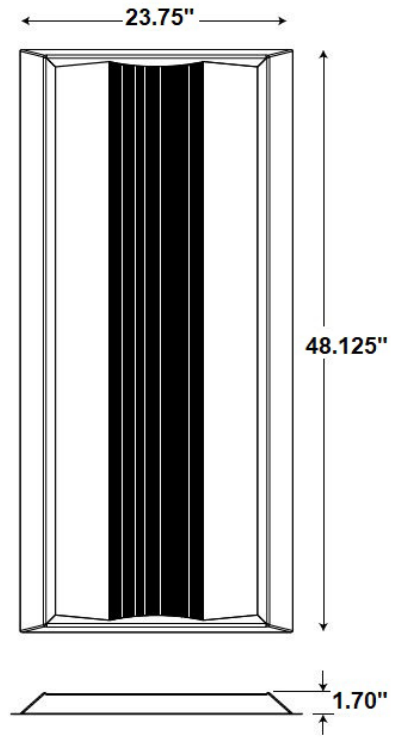
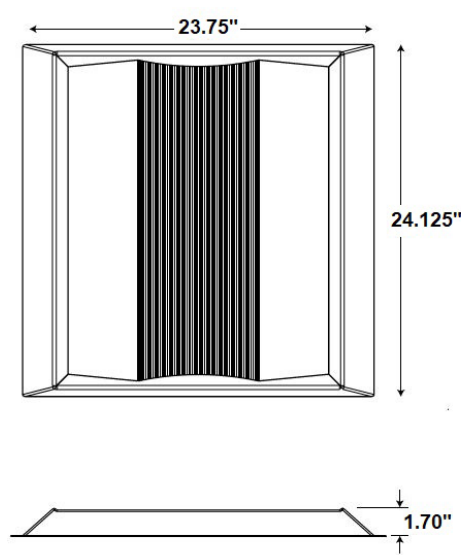


JOB NAME:

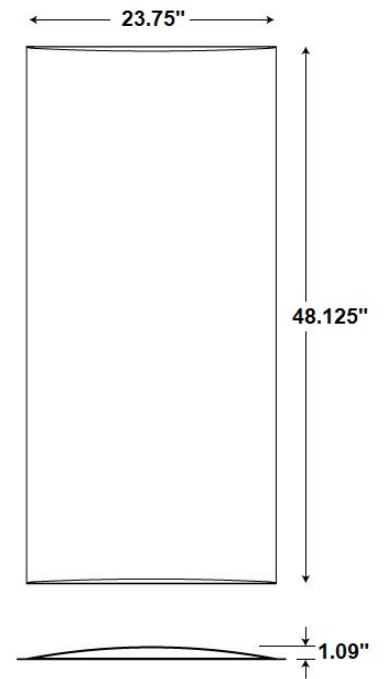
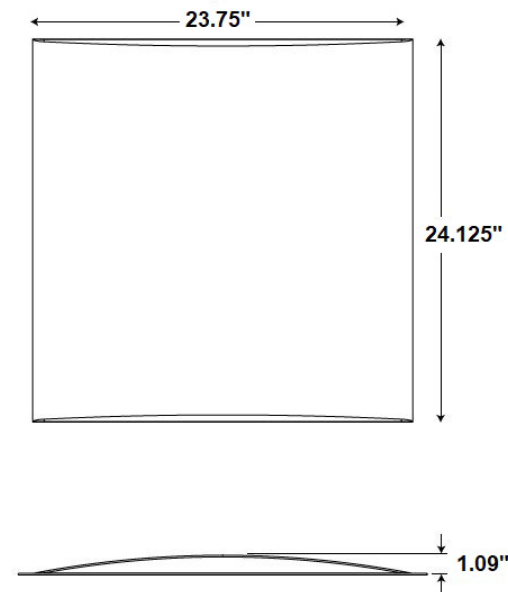
CAT#:

TYPE:

**A-Curved Ribbed Center Troffer**



**B-Curved Body Troffer**



Dimensions and specifications subject to change without notice.



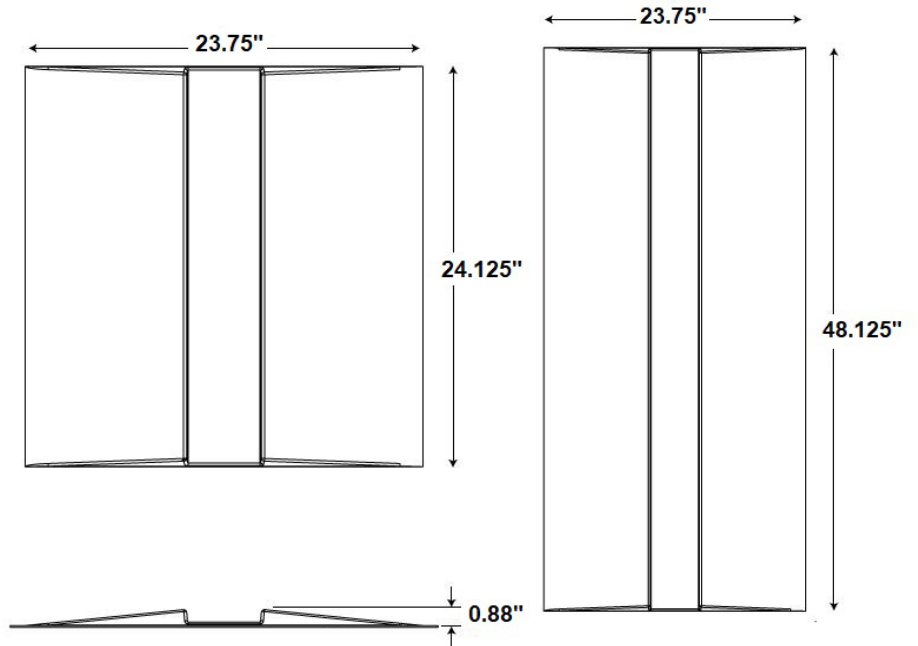


JOB NAME:

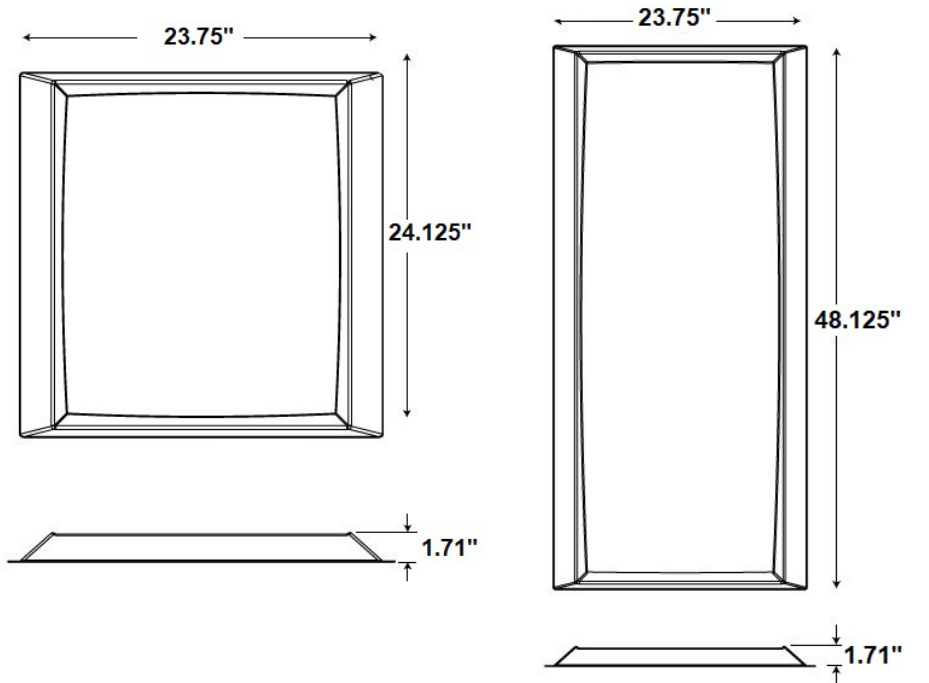
CAT#:

TYPE:

**C- Flat Center Troffer**



**D- Concave Body Troffer**



Dimensions and specifications subject to change without notice.





JOB NAME:

CAT#:

TYPE:

**ORDERING**

EXAMPLE: RAV A 22 LED 20 DMV 30 EM SSM G3 FA

RAV		LED							
1. SERIES	2. SIZE	3. GEAR	4. WATTAGE/LUMENS	5. DRIVER	6. LENS	7. COLOR TEMP	8. EMERGENCY (O)'		
<b>RAV</b> Recessed Architectural Volumetric	<b>22</b> 2x2 <b>24</b> 2x4	<b>LED</b>	<b>2X2 Standard</b> <b>20</b> 20 Watts 2300 Lumens <b>24</b> 24 Watts 2600 Lumens <b>28</b> 28 Watts 3000 Lumens <b>35</b> 35 Watts 3600 Lumens <b>45</b> 45 Watts 4470 Lumens <b>2X4 Standard</b> <b>32</b> 32 Watts 3970 Lumens <b>35</b> 35 Watts 4345 Lumens <b>45</b> 45 Watts 5500 Lumens <b>48</b> 48 Watts 5900 Lumens <b>57</b> 57 Watts 6735 Lumens <b>62</b> 62 Watts 7000 Lumens <b>72</b> 72 Watts 8700 Lumens	<b>DMV</b> 120-277V Multivolt 0-10V Dimmable <b>SDMV</b> Step dimming Multivolt <b>D347V</b> 347VAC 0-10V Dimming <b>D120</b> Triac Dimming 120VAC <b>D277</b> Triac Dimming 277VAC	<b>A</b> Curved Ribbed Center <b>B</b> Curved Body Troffer <b>C</b> Flat Center Troffer <b>D</b> Concave Body Troffer	<b>30</b> 3000K <b>35</b> 3500K <b>40</b> 4000K <b>50</b> 5000K	<b>EM</b> 12W, 1300 lumen, battery backup <b>EM5</b> 5W, 650 lumen, battery backup		
<b>9. SENSOR (O)'</b>		<b>10. GASKETING (O)'</b>		<b>11. CORD (O)'</b>					
<b>SSM</b> Microwave Sensor		<b>G3</b> Triple Gasketing		<b>FA</b> Flush Aluminum <b>WP</b> 6' 3 wire whip					

**Notes:**  
<sup>1</sup>(O) is Optional

Dimensions and specifications subject to change without notice.

