



JOB NAME:

CAT#:

TYPE:

APPLICATIONS

The RDISLED is a specification grade, Volumetric Recessed LED Luminaire which provides smooth and uniform ambient lighting for all commercial and industrial buildings with recessed configurations. Reflected light from matte surfaces provide a softened appearance to the modern office environment.

Housing is die-formed and embossed code 22 gauge steel. Luminaire body finish is high reflectance baked white enamel, with matte white reflectors. Wiring knockouts are provided on the back of housing. Center diffuser snaps into place; no tools are required for removal. Listed by and bears ETL label.

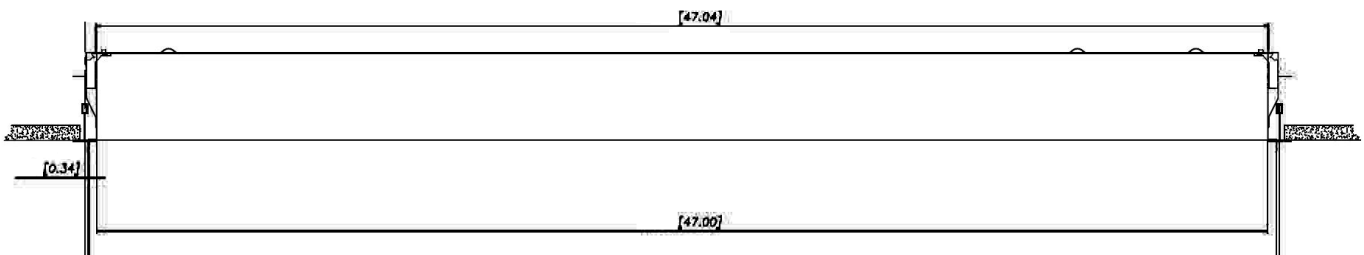
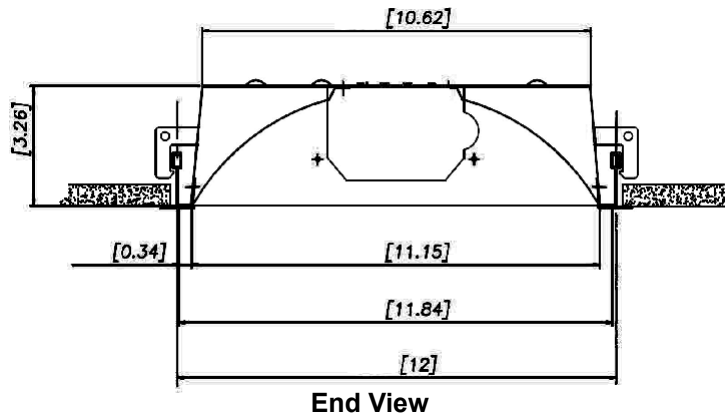


FEATURES & BENEFITS

- Volumetric recessed luminaire provides a low glare light source
- Matte white reflective surface for soft, uniform light distribution
- Multiple diffuser options available
- Min CRI 82
- IC Rated
- Easy access plate for quick wiring
- cETL_{us} listed for damp locations up to 67 watts
- DLC listed on certain models
- 5 year warranty

DIMENSIONS

1x4



Dimensions and specifications subject to change without notice.





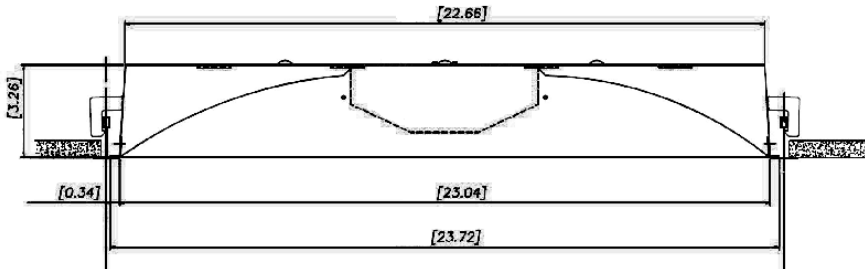
JOB NAME:

CAT#:

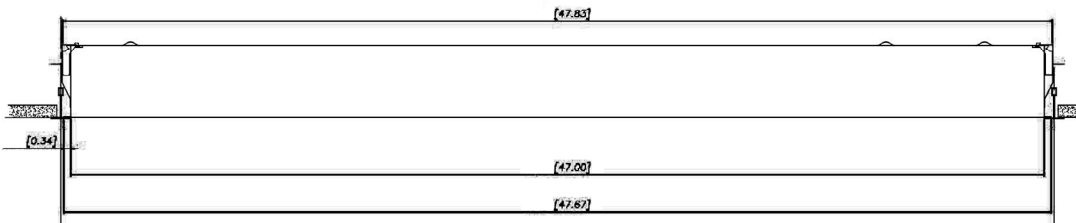
TYPE:

DIMENSIONS

2x4

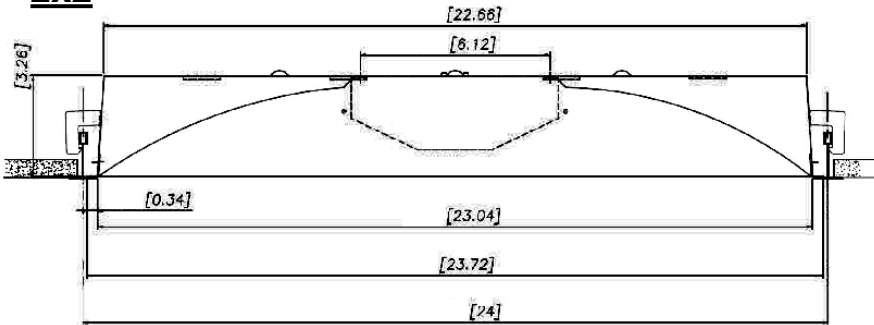


End View

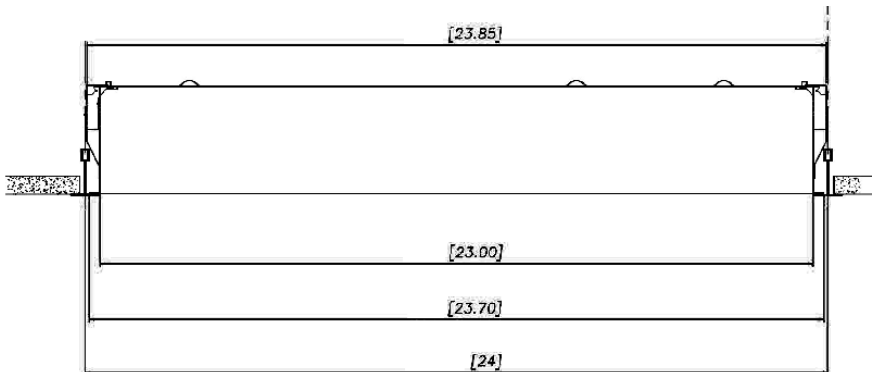


Side View

2x2



End View



Side View

Dimensions and specifications subject to change without notice.





JOB NAME:

CAT#:

TYPE:

ORDERING

EXAMPLE: REDIS 14 LED 28 DMV FR 30 EM SS WP

REDIS		LED								
1. SERIES	2. SIZE	3. GEAR	4. WATTAGE/LUMENS		5. DRIVER		6. LENS/BASKET		7. COLOR TEMP	
REDIS	14 1x4 Nominal	LED	1x4		DMV	120-277V Multivolt 0-10V Dimmable	FR	Frosted	30	3000K
	22 2x2 Nominal		28	28 Watts 3500 Lumens			PF	Perforated Basket w/ inlay	35	3500K
	24 2x4 Nominal		32	32 Watts 4000 Lumens	SDMV	Step dimming Multivolt			40	4000K
			48	48 Watts 6000 Lumens	D347	347VAC 0-10V Dimming			50	5000K
			57	57 Watts 7125 Lumens	TDMV	Triac Dimming 120-277VAC				
			60	60 Watts 7500 Lumens	D120	Triac Dimming 120VAC				
			2x4		D277	Triac Dimming 277VAC				
			28	28 Watts 3200 Lumens						
			32	32 Watts 3620 Lumens						
			48	48 Watts 5450 Lumens						
			57	57 Watts 6080 Lumens						
			60	60 Watts 6430 Lumens						
			62	62 Watts 6900 Lumens						
			72	72 Watts 7000 Lumens						
			2x2							
			20	20 Watts 2440 Lumens						
			24	24 Watts 3030 Lumer						
			28	28 Watts 3500 Lumens						
			30	30 Watts 3630 Lumens						
			35	35 Watts 4200 Lumens						
			42	42 Watts 4800 Lumens						

8. EMERGENCY (O)'		9. SENSOR (O)'		10. CORD (O)'	
EM	Emergency Battery Pack 10W ~ 1700 Lumens	SS	Integrated Sensor	WP	6' 3 Wire Flexible Conduit
EM7	Emergency Battery Pack 7W ~ 1300 Lumens				
EM5	Emergency Battery Pack 5W ~ 850 Lumens				

Notes:
'(O) is optional

Dimensions and specifications subject to change without notice.





JOB NAME:

CAT#:

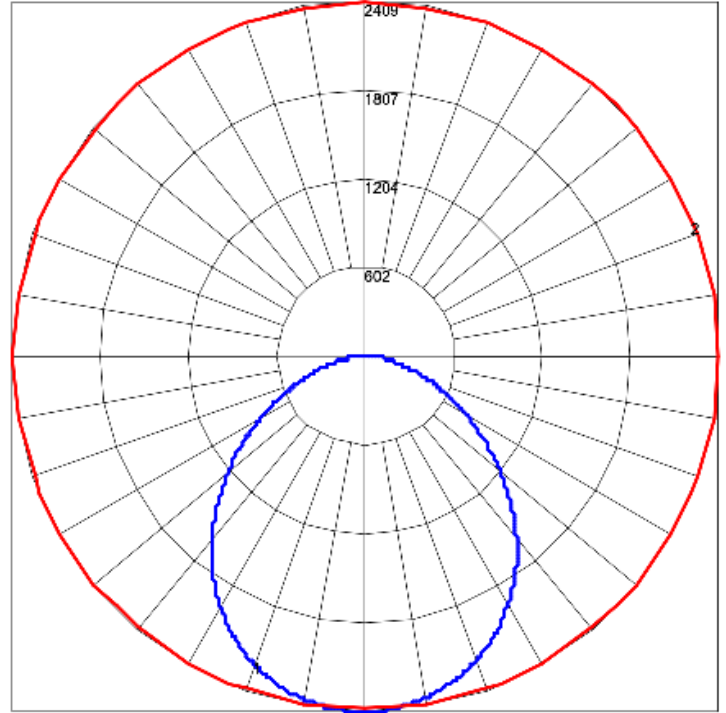
TYPE:

PHOTOMETRICS

RDIS24-LED60FRDMV40

Spacing Criterion (0-180) 1.22
Spacing Criterion (90-270) 1.22

POLAR GRAPH



Maximum Candela = 2408.743 Located At Horizontal Angle = 180, Vertical Angle = 1
1 - Vertical Plane Through Horizontal Angles (180 - 0) (Through Max. Cd.)
2 - Horizontal Cone Through Vertical Angle (1) (Through Max. Cd.)

COEFFICIENTS OF UTILIZATION - ZONAL CAVITY METHOD

Effective Floor Cavity Reflectance 0.20

RC	80				70				50			30			10			0
RW	70	50	30	10	70	50	30	10	50	30	10	50	30	10	50	30	10	0
0	119	119	119	119	116	116	116	116	111	111	111	106	106	106	102	102	102	100
1	109	105	101	97	107	103	99	96	98	95	93	95	92	90	91	89	87	85
2	100	92	86	80	97	90	84	79	87	82	78	84	79	76	81	77	74	72
3	92	82	74	68	89	80	73	67	77	71	66	74	69	65	72	67	64	61
4	84	73	64	58	82	71	63	57	69	62	57	67	61	56	64	59	55	53
5	78	65	57	50	76	64	56	50	62	55	49	60	54	49	58	53	48	46
6	72	59	50	44	70	58	50	44	56	49	43	55	48	43	53	47	43	41
7	67	54	45	39	65	53	45	39	51	44	39	50	43	38	49	43	38	36
8	62	49	41	35	61	48	40	35	47	40	35	46	39	35	45	39	34	32
9	58	45	37	32	57	45	37	32	43	36	31	42	36	31	41	35	31	29
10	55	42	34	29	53	41	34	29	40	33	29	39	33	28	38	33	28	27

Dimensions and specifications subject to change without notice.



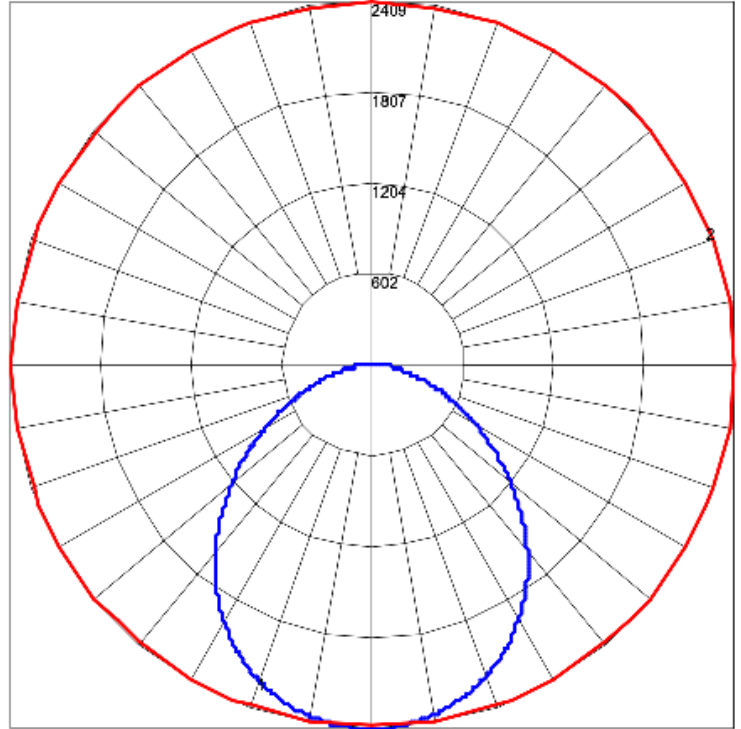
JOB NAME:

CAT#:

TYPE:

PHOTOMETRICS

POLAR GRAPH



Maximum Candela = 2408.743 Located At Horizontal Angle = 180, Vertical Angle = 1
 # 1 - Vertical Plane Through Horizontal Angles (180 - 0) (Through Max. Cd.)
 # 2 - Horizontal Cone Through Vertical Angle (1) (Through Max. Cd.)

RDIS22-LED28DMVFR40

Spacing Criterion (0-180) 1.18
 Spacing Criterion (90-270) 1.32

COEFFICIENTS OF UTILIZATION - ZONAL CAVITY METHOD

Effective Floor Cavity Reflectance 0.20

RC	80				70				50				30				10				0
	RW	70	50	30	10	70	50	30	10	50	30	10	50	30	10	50	30	10	0		
0	119	119	119	119	116	116	116	116	111	111	111	106	106	106	102	102	102	100			
1	109	105	101	97	107	103	99	96	98	95	93	95	92	90	91	89	87	85			
2	100	92	86	80	97	90	84	79	87	82	78	84	79	76	81	77	74	72			
3	92	82	74	68	89	80	73	67	77	71	66	74	69	65	72	67	64	61			
4	84	73	64	58	82	71	63	57	69	62	57	67	61	56	64	59	55	53			
5	78	65	57	50	76	64	56	50	62	55	49	60	54	49	58	53	48	46			
6	72	59	50	44	70	58	50	44	56	49	43	55	48	43	53	47	43	41			
7	67	54	45	39	65	53	45	39	51	44	39	50	43	38	49	43	38	36			
8	62	49	41	35	61	48	40	35	47	40	35	46	39	35	45	39	34	32			
9	58	45	37	32	57	45	37	32	43	36	31	42	36	31	41	35	31	29			
10	55	42	34	29	53	41	34	29	40	33	29	39	33	28	38	33	28	27			

Dimensions and specifications subject to change without notice.

