



Project	
Notes	
Type	Date
Cat. No.	

**RDL™ Series** **LED Round Disk Light**

**DESCRIPTION**  
 RDL Series LED disk light provides versatile lighting on standard line voltage, yet produces the high energy savings you desire from LED fixtures. The RDL series allows for easy upgrade your down-lighting from the traditional recessed cans to a more modern looking, energy efficient solution. This disk light can be easily mounted onto a junction box or can be retrofitted into an existing recessed can with the optional hardware mounting adapter (not included).



RDL Series	
<b>5" Housing</b>	10W, 550 Lumens
<b>7" Housing</b>	15W, 850 Lumens
<b>12" Housing</b>	22W, 2000 Lumens

**Specification Features**



**Construction**  
 Aluminium spun reflection with diffusion lens for official visual comfort while providing optional light output. Lens design and materials provide uniform appearance without pixilation.

**Electrical**  
 Equipped standard with 120V 15-100% triac dimming driver.

**Certification**  
 All luminaires are built to UL 1598 and 2108 standards, and bear appropriate ETL labels. Damp location labeling is standard. Emergency equipped fixtures labeled UL924. Adheres to LM70, LM80, and TM21 industry standards. ENERGY STAR® certified product (for 3000K and 4000K only) and Title 24 qualified. Dedicated 120V Models are FCC Title 47 CFR, Part 15, Class B for residential and commercial applications. California Title 24 Compliant, JA8 compliant.

**Installation**  
 Designed for mounting on 4" electrical J-Box.

**Warranty**  
 3-year Limited Warranty. See warranty documentation for more information.

**Rated Life 50,000 hours**  
**Limited Warranty 3 years**  
**Efficacy Up to 64 LPW**  
**Continuous Dimming**



**Quick Ship**

RDL-5-10-120D-930-BN  
 RDL-5-10-120D-930-WH  
 RDL-5-10-120D-930-BL  
 RDL-7-15-120D-930-BN  
 RDL-7-15-120D-930-WH  
 RDL-7-15-120D-930-ORB

**Ordering Information**

Example: RDL-5-10-120D-930-BN

RDL	11	10	120D	9	30	BN
<b>Series</b> RDL LED Round Disk Light	<b>Diameter</b> 5-5" <sup>2</sup> 7- 7" <sup>2</sup> 12-12" <sup>1</sup>	<b>Rated Wattage</b> <b>5" Housing</b> 10- 10W, 550 Lumens <sup>2</sup> <b>7" Housing</b> 15- 15W, 850 Lumens <sup>2</sup> <b>9" Housing</b> <b>12" Housing</b> 22- 22W, 2000 Lumens <sup>1 2</sup>	<b>Driver Type</b> 120D- 120V, Triac Dimming <sup>2</sup> 277D- 277V <sup>2</sup>	<b>CRI</b> 9 90+ CRI	<b>Color Temp</b> 30 3000 K <sup>2</sup> 40 4000 K <sup>1 2</sup>	<b>Finish</b> BL- Black BN- Brushed Nickel  WH- White

Specifications and Dimensions subject to change without notice.

## Performance Summary

Input Voltage	120V
Input Frequency	50/60 Hz
Rated Wattage	See Performance Table
Delivered Lumens	See Performance Table
Efficacy	> 64 LPW (typ.)
CRI	90+, R9 > 0
Available CCT <sup>1</sup>	3000K
Color Consistency <sup>2</sup>	5-step MacAdam Ellipse
Rated Life	50,000 hours
L70 <sup>3</sup>	> 72,000 hours or > 45,000
Power Factor	>0.99
THD	< 20%
Dimming	120V Triac Dimming(15-100%)
Operating Temp.	-18°C to 40°C

## Performance Data

Lens Type	Form Factor	Catalog No.	Rated Wattage (W)	Delivered Lumens	Efficacy (lm/W)
Acrylic	5'	<a href="#">RDL-5-10-120D-930</a>	10W	550	55
	7'	<a href="#">RDL-7-15-120D-930</a>	15W	850	56.6
	12'	<a href="#">RDL-12-22-120D-930</a>	22W	1,400	63.6

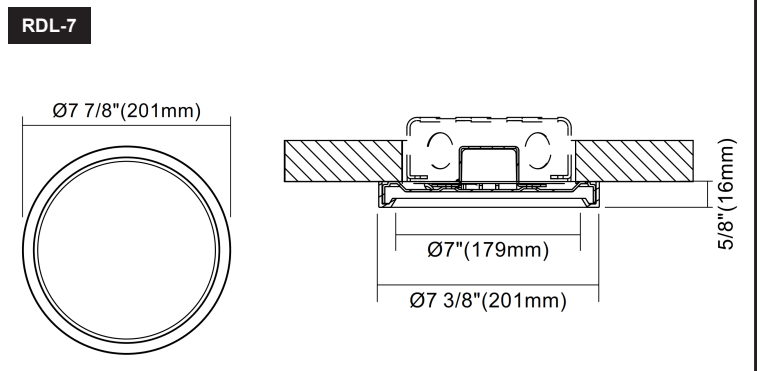
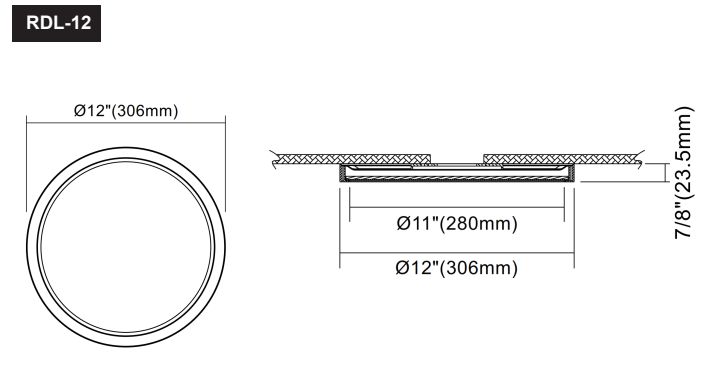
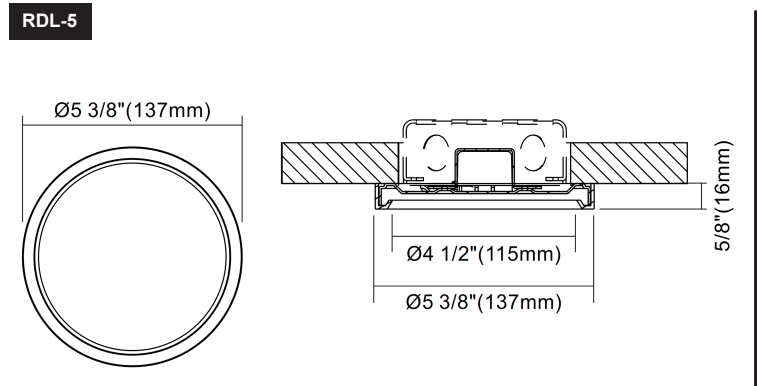
### NOTES:

- <sup>1</sup> Made to order items. Minimum 90 day lead time. Minimum 500 order quantity.
- <sup>2</sup> Energy star listed
- <sup>3</sup> Quick ship: 3000K. Other CCTs may require a lead time or be special order
- <sup>4</sup> Typical color consistency. May vary or be changed.
- <sup>5</sup> L70 hours calculated based on LED package manufacturer LM80 report and ISTMT report of LED in luminaire. Stated values are for select catalog numbers. Contact manufacturer for detailed information
- <sup>6</sup> Actual performance may differ as a result of end-user environment and application. All values are design or typical values, measured under laboratory conditions at 25 °C.

Specifications and Dimensions subject to change without notice.



Product Dimensions



© 2017 GlobalLux Lighting, LLC. All rights reserved. For informational purposes only. Reproduction in whole or part is prohibited without prior written consent of the copyright owner. The information presented in this document does not form part of any quotation or contract, is believed to be accurate and reliable and may be changed without notice. No liability will be accepted by the publisher for any consequences of its use. GlobalLux Lighting reserves the rights make changes in specification at any time without notice.

**GlobalLux Lighting LLC**  
 www.globalluxlighting.com  
 2037 S. Vineyard Ave  
 Ontario, CA 91761  
 Ph: 909-591-7506