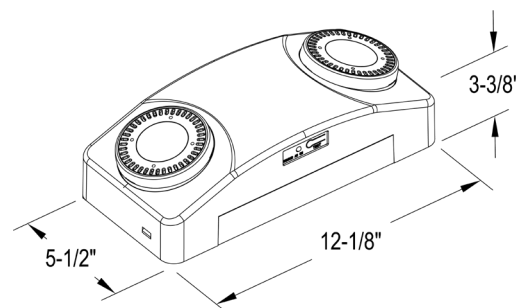


# REL6LED

120/277V

Catalog #:		Type
Project:		Date
Prepared by:		

## High Lumen Emergency Unit, Self-Diagnostic Option



### DESCRIPTION

An ultra slim profile, that comes in a standard or high output design with self-diagnostics and self-testing - make this one small emergency light, with lots of big features. The modern design is an attractive way to provide emergency lighting that increases safety, security, and visibility in commercial and industrial applications.

### DESIGN FEATURES

#### Construction

- Fire-rated thermoplastic housing
- Low-profile, adjustable polycarbonate heads

#### Electrical

- 120V-277V Universal Voltage
- Operating Temperature: 10°C to 40°C
- Test Switch and charge indicator light included
- Standard Output: 9.6V | 1500 mAh LiFePO4 Battery
- Standard Output: 2 x 2.7W | 600 lms total | 6000K
- High Output: 9.6V | 3000 mAh LiFePO4 Battery
- High Output: 2 x 5.4W | 1300 lms total | 5000K
- 24 hours recharge after 90 minutes discharge
- Long-life LEDs and electrical driver

#### Remote Head Compatibility (Std. Output Units Only)

- RH17 or RH19 - Single Wet Remote Head | 1 x 1W
- RH18 or RH20 - Double Wet Remote Heads | 2 x 1W

#### Self-Diagnostic/Self-Test Option

- Every 5 second test: battery connection, charger board, lamp, transformer diagnostic
- Each month: 3-minute self test
- Every 12th month: 90-minute self-test
- Manual Test option available

#### Installation

- Suitable for wall mount and ceiling mount
- Universal pattern knockouts on backplate for J-Box installation

#### Wet Location Option

- Includes REL-600 Wet Cover
- For Self-Diagnostic units only



#### Certifications

- UL Listed to UL924 Standard for damp location
- UL Listed for Wet Location - (-W) Option only
- CEC Title 20 Compliant
- LED Lamps: 5 Year Limited Warranty
- Battery: 1 Year Limited Warranty
- Non-Electrical Components: 1 Year Limited Warranty

### ORDERING GUIDE

Example: REL6LED-WH-HO-SD-W

Model #	
REL6LED-WH	: Standard Output
REL6LED-WH-SD	: Standard Output   Self-Diagnostic
REL6LED-WH-SD-W	: Standard Output   Self-Diagnostic   Wet Location
REL6LED-WH-HO	: High Output
REL6LED-WH-HO-SD	: High Output   Self-Diagnostic
REL6LED-WH-HO-SD-W	: High Output   Self-Diagnostic   Wet Location

Remote Heads Not Available With HO Units



UL924

LED Lamp

Battery and Non-Electrical Components

TEL: 800.937.6925 | Fax: 800.207.9509 | [www.rplighting.com](http://www.rplighting.com)

Specifications and dimensions subject to change without notice.

10/25/22 R3



RP LIGHTING · FANS

# REL6LED

120/277V

## Spacing Information

