



JOB NAME:

CAT#:

TYPE:

APPLICATIONS

Premium quality low profile troffer with an almost limitless range of applications. Ideal for all commercial and industrial buildings requiring general illumination with recessed configurations.

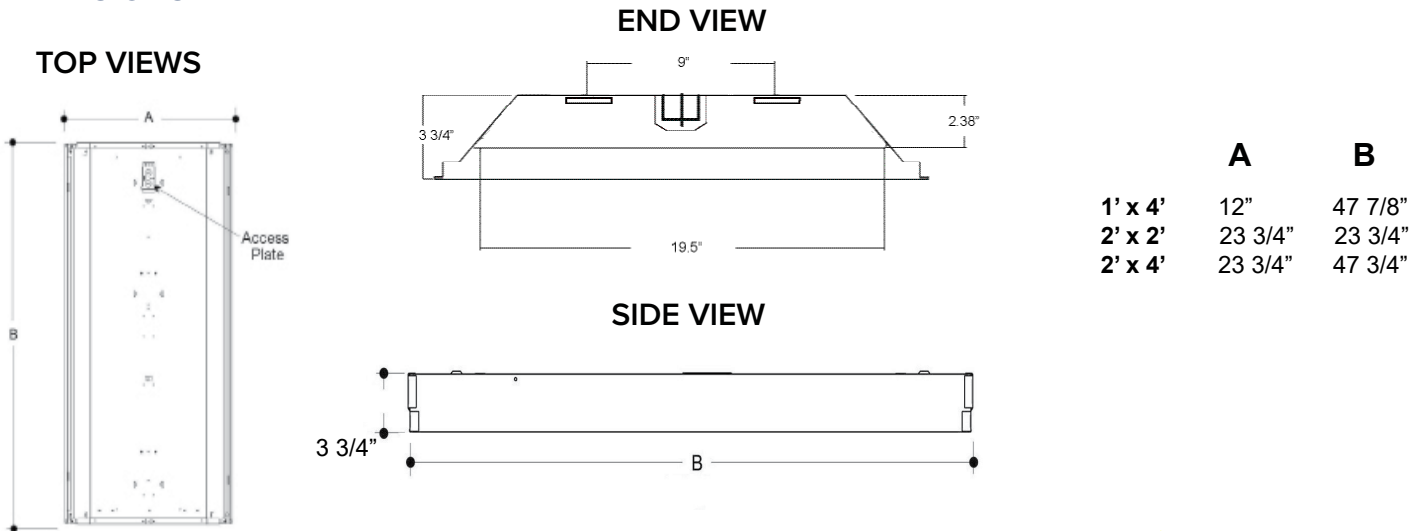
Housing is die-formed and embossed from cold rolled steel. Wiring access plate and knockouts are provided on back of housing allowing for flexible greenfield attachment. Driver cover snaps easily into place eliminating the need for tools when accessing the driver. Prismatic lens is held within a hinged steel frame door. The heavy gauge door frame hinges downward on either side and is held in the closed position by two positive cam latches. Knockouts are provided on ends for continuous wiring.



FEATURES & BENEFITS

- Min CRI 82
- L70 >60,000 hrs
- IC Rated
- Corrosion and scratch resistant
- Smooth edges for easy handling
- Ends are secured by snap-in interlocking system
- .100 acrylic prismatic lens is standard
- Exclusive "Light Lock" frame reduces light leaks
- Flush steel door with rotary action cam latches and hinges from either side
- Easy access plate for quick wiring
- Equipped with Integral Earthquake Clips
- _cETL_{us} listed for damp locations up to 95 watts
- DLC listed in certain models - consult DLC QPL for verification

DIMENSIONS



Dimensions and specifications subject to change without notice.





JOB NAME:

CAT#:

TYPE:

ORDERING

EXAMPLE: RG 14 LED 22 DMV 30 EM SSM

RG		LED								
1. SERIES	2. SIZE	3. GEAR	4. WATTAGE/LUMENS		5. DRIVER		6. LENS		7. COLOR TEMP	
RG	14 1X4	LED	1x4 Standard		DMV	120-277V Multivolt 0-10V Dimmable	Blank	A12 .100 thick lens	30	3000K
LED Grid	22 2x2		22	22 Watts 2810 Lumens	SDMV	Step dimming Multivolt	125	A12 .125 thick lens	35	3500K
	24 2x4		30	30 Watts 3585 Lumens	D347	347VAC 0-10V Dimming	156	A19 .156 thick lens	40	4000K
			35	35 Watts 4090 Lumens	D120	Triac Dimming 120VAC	CL	Clear .100 thick lens	50	5000K
			40	40 Watts 4590 Lumens	D277	Triac Dimming 277VAC	CL125	Clear .125 thick lens		
			48	48 Watts 5385 Lumens			SW	Smooth White .100 thick lens		
			57	57 Watts 6370 Lumens			S5	Specular Parabolic Louver (1/2"x1/2"x3/8")		
			2X2 Standard				S75	Specular Parabolic Louver (3/4"x3/4"x3/8")		
			20	20 Watts 2300 Lumens			S15	Specular Parabolic Louver (1 1/2"x1 1/2"x1")		
			24	24 Watts 2600 Lumens			W5	White Parabolic Louver (1/2"x1/2"x3/8")		
			28	28 Watts 3000 Lumens			NL	No Lens		
			35	35 Watts 3600 Lumens			NFL	No Frame and Lens		
			45	45 Watts 4470 Lumens			FR	High Optic Frosted		
			2X4 Standard							
			32	32 Watts 3970 Lumens						
			35	35 Watts 4345 Lumens						
			45	45 Watts 5500 Lumens						
			48	48 Watts 5900 Lumens						
			57	57 Watts 6735 Lumens						
			62	62 Watts 7000 Lumens						
			72	72 Watts 8700 Lumens						

*Consult for other wattages or
Triac Dimming options

8. EMERGENCY (O)'

- EM** Emergency Battery Pack 10W
~ 1700 lumens
- EM7** Emergency Battery Pack 7W
~ 1300 Lumens
- EM5** Emergency
Battery Pack 5W
~ 850 Lumens
- EM12K** 1200 Board Lume LED
Emergency Kit

9. SENSOR (O)'

- SSM** Microwave Sensor



DLC Listed Models	
RG14-LED22DMVxx	xx=30,35,40,50
RG14-LED30DMVxx	xx=30,35,40,50
RG14-LED35DMVxx	xx=30,35,40,50
RG14-LED40DMVxx	xx=30,35,40,50
RG14-LED48DMVxx	xx=30,35,40,50
RG14-LED57DMVxx	xx=30,35,40,50
RG22-LED20DMVxx	xx=30,35,40,50
RG22-LED24DMVxx	xx=30,35,40,50
RG22-LED28DMVxx	xx=30,35,40,50
RG22-LED35DMVxx	xx=30,35,40,50
RG22-LED45DMVxx	xx=30, 35,40,50
RG24-LED35DMVxx	xx=30,35,40,50
RG24-LED45DMVxx	xx=30,35,40,50
RG24-LED48DMVxx	xx=30,35,40,50
RG24-LED57DMVxx	xx=30,35,40,50

Notes:

'(O) is optional

Dimensions and specifications subject to change without notice.

