

# RH Series

Indoor Incandescent Remote Heads



## ILLUMINATION

- Smooth thermoplastic reflector with plastic lens for optimal light distribution.
- Adjustable lamp heads with 6V and 12V wedge base incandescent lamps provides increased center-to-center spacing.

## ELECTRICAL

- Powered from low voltage power source with low voltage wiring (not provided).

## MOUNTING

- Universal mounting base plate included with mounting hardware.
- Distance of maximum run is determined by system voltage, wire gauge and total maximum wattage on the run.
- Suitable for wall or ceiling mount.

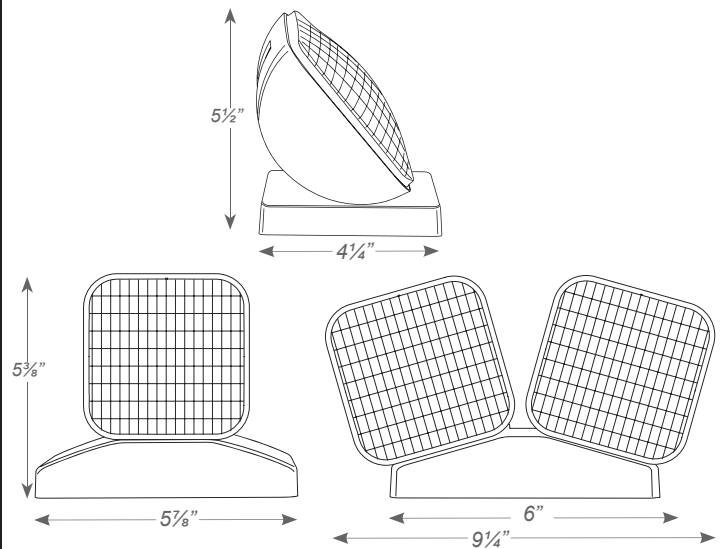
## HOUSING

- Injection-molded, engineering grade, 5VA flame retardant, high-impact resistant, thermoplastic in white or black finish.

## WARRANTY / LISTING

- Five year warranty.

## DIMENSIONS



## FIXTURE COMPATIBILITY

Reference individual unit equipment specification sheets for remote load capacity availability.

| MODEL TYPE | 6V | 12V | MODEL TYPE   | 6V | 12V |
|------------|----|-----|--------------|----|-----|
| NYDXR-50   |    | X   | TFX-2        | X  |     |
| RMR-16-65  | X  |     | NYDXR-27     | X  |     |
| RMR-16-125 |    | X   | EZXTE-RC     | X  |     |
| R-5HO      | X  |     | CXTE-RC      | X  |     |
| R-16-HO    | X  |     | DXR-125/1210 |    | X   |
| DXR-65/610 | X  |     | CALEDXTE     | X  |     |
| LEDCADXR   | X  |     |              |    |     |

## ORDERING INFORMATION

Sample Part Number: **RH-1-6V5.4W**

| MODEL | No. of HEADS  | COLOR       | VOLTAGE                        | WATTAGE <sup>1</sup>  |
|-------|---------------|-------------|--------------------------------|-----------------------|
| RH    | 1 Single Head | Blank White | 6V For use with 6V batteries   | 5.4W <sup>2</sup>     |
|       | 2 Double Head | B Black     | 12V For use with 12V batteries | 7.2W<br>9.0W<br>12.0W |

<sup>1</sup> Wattage rating stated per head.

<sup>2</sup> Available in 6V units only.

### Texas Fluorescents

2055 Luna Rd., Suite 142 Carrollton, TX 75006  
Phone: 972-247-3171 Fax: 972-247-0200  
www.texasfluorescents.com email: sales@texasfluorescents.com

Catalog Number

Notes: