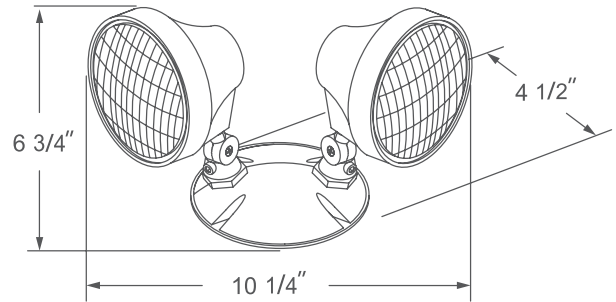


# RH18 Series

120V

Catalog #:		Type
Project:		Date
Prepared by:		

## LED Double Remote Head



LED Double Remote Head

### DESCRIPTION

This LED Double Remote Head FOR Emergency Lights is great for general purpose applications. The durable, injection molded thermoplastic material resists discoloration due to UV radiation. Heads are fully adjustable, insuring that light can be put where it is needed.

### DESIGN FEATURES

#### Construction

- Injection-molded thermoplastic ABS housing
- Fits on standard box

#### Electrical

- 120V
- DC 2.7~7.3V input
- LED lamp: 2x1W
- Full adjustable light head
- Suitable for wet location

#### Dimensions (W x D X H)

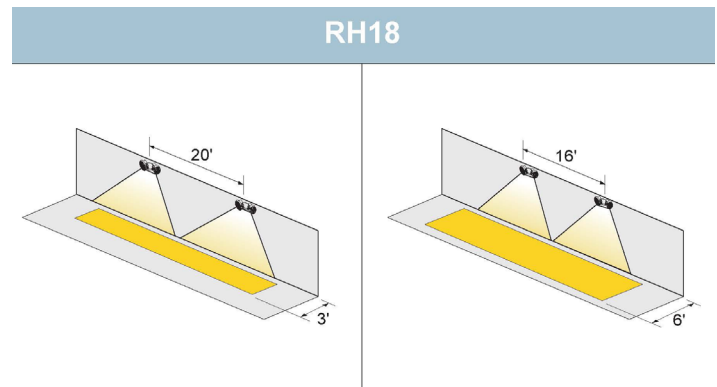
- 10-1/4" x 4-1/2" x 6-3/4"

#### Finish

- Available in white

#### Certifications

- UL listed
- 5 year limited warranty



### ORDERING

Example: RH18-WH

Model #	Finish
RH18	
RH18	WH : White

TEL: 800.937.6925 | Fax: 800.207.9509 | [www.rplighting.com](http://www.rplighting.com)

Specifications and dimensions subject to change without notice.

