

# RHR

## INCANDESCENT INDOOR ROUND THERMOPLASTIC REMOTE HEADS



ACCESSORIES

### ILLUMINATION

- Smooth chrome-plated metalized reflector with glass lens for optimal light distribution.
- Adjustable lamp heads with 6V and 12V wedge base incandescent lamps.

### ELECTRICAL

- Powered from low voltage power source with low voltage wiring (not provided).

### MOUNTING

- Universal mounting adapter plate included. Mounts to single-gang switch box.
- Distance of maximum run is determined by system voltage, wire gauge and total maximum wattage on the run.
- Suitable for wall or ceiling mount.

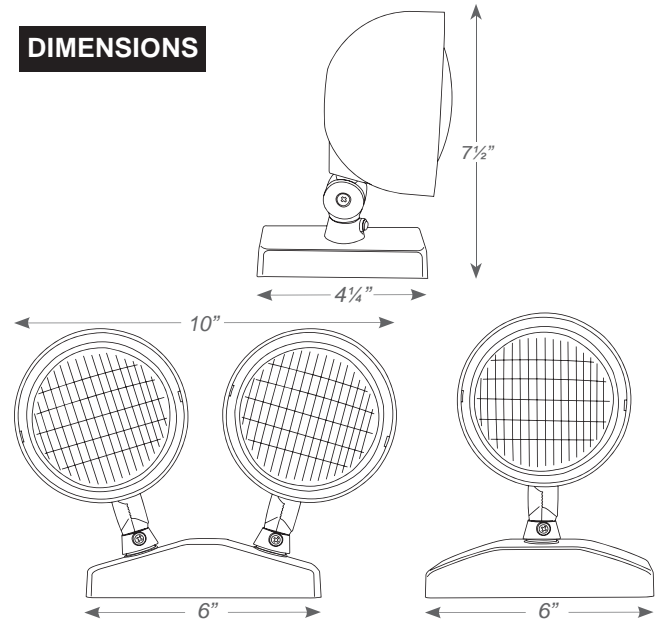
### HOUSING

- Injection-molded, engineering grade, 5VA flame retardant, high-impact resistant, thermoplastic in white or black finish.

### WARRANTY / LISTING

- Five year warranty.
- Meets UL924, NFPA 101 Life Safety Code, NEC, OSHA, Local and State Codes.

### DIMENSIONS



### FIXTURE COMPATIBILITY CHART

Reference individual unit equipment specification sheets for remote load capacity availability.

| MODEL TYPE  | 6V | 12V | MODEL TYPE     | 6V | 12V |
|-------------|----|-----|----------------|----|-----|
| NYDXR-50    |    | X   | TFX-2          | X  |     |
| RMR-16-65   | X  |     | NYDXR-27       | X  |     |
| RMR-16-125  |    | X   | EZXTE-RC       | X  |     |
| R-5HO       | X  |     | CXTE-RC        | X  |     |
| R-16-HO     | X  |     | DXR-125/1210   |    | X   |
| DXR-65/610  | X  |     | CALEDCXTE      | X  |     |
| LEDCADXR    | X  |     | CADXR-65/610   | X  |     |
| LESDXR      | X  |     | CADXR-125/1210 |    | X   |
| CWLEZXTE-RC | X  |     | LEDCADXR       | X  |     |
| CAR-65      | X  |     |                |    |     |
| CAR-125     |    | X   |                |    |     |

### ORDERING INFORMATION

Sample Part Number: RHR-1-6V5.4W

| MODEL | No. of HEADS  | COLOR         | VOLTAGE                              | WATTAGE <sup>1</sup>               |
|-------|---------------|---------------|--------------------------------------|------------------------------------|
| RHR   | 1 Single Head | (blank) White | 6V For Use With 6V DC Power Source   | 5.4W 5.4 Watts <sup>2</sup>        |
|       | 2 Double Head | B Black       | 12V For Use With 12V DC Power Source | 7.2W 7.2 Watts<br>12.0W 12.0 Watts |

<sup>1</sup> Wattage rating stated per head.

<sup>2</sup> Available in 6V units only.

RHR