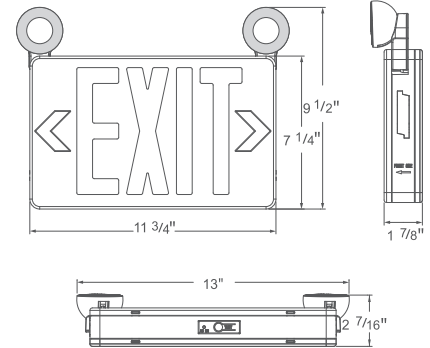


RXEL39 Series

120V/277V

Catalog #:		Type
Project:		Date
Prepared by:		

High Output Remote Capable Exit/Emergency Combo



DESCRIPTION

The RXEL39 Series LED Emergency Exit Sign features two adjustable heads, single or double face high impact thermoplastic faceplates with snap-in & out chevrons. This exit sign uses LED light bulbs and has a backup battery. Ideal for applications requiring attractive, quick-installation exit signs and low energy consumption. Remote head capable.

DESIGN FEATURES

Construction

- Includes single or double face high impact thermoplastic faceplate. Universal snap-in & out chevrons meets all state and local UL924 codes. Also has one blank face
- Thermoplastic housing w/ flame retardant housing
- Compact, low profile design

Electrical

- 120/277V AC input, 60Hz
- Operating temperature 50° F to 104°F
- Battery: NI-cd Battery, 2pcs of 3.6V 1.5Ah for high lumen output
- 3.6V 2W remote capability (RH21) and 3.6V 4W (RH22) remote capabilities are available | for wet location 2.7~7.3V 1W (RH17) or 2.7~7.3V 2x1W (RH18)
- Light source: SMD 2x2W LED, 6000K, 250lms
- 90 minutes of illumination in case of power failure
- Manual test switch and LED indicator
- Estimated 25 year LED lamp life.

Installation

- Universal mounting (wall, side and ceiling)
- Easy, one-person installation

Dimensions (W x D X H)

- 11-3/4" x 1-7/8" x 9-1/2"

Finish

- RW= Red with white housing
- GW= Green with white housing

Remote head options

- RH21: Single remote head (Wide focal)
- RH21-N: Single remote head (narrow focal)
- RH22: Double remote head (Wide focal)
- RH22-N: Double remote head (narrow focal)

Certifications

- UL listed for damp location
- 5 year limited warranty



TEL: 800.937.6925 | Fax: 800.207.9509 | www.rplighting.com

Specifications and dimensions subject to change without notice.

RXEL39 Series

120V/277V

Specification & Ordering

ORDERING

Example: RXEL39-RW

Model #	Finish
RXEL39	
RXEL39 High Output Remote Capabe Exit/ Emergency Combo	RW : Red with white housing GW : Green with white housing

RXEL39

