

CATALOG# : _____

PROJECT : _____

TYPE : _____

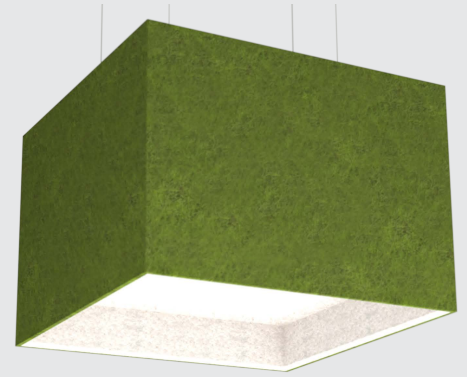
SABD Series

Square Acoustic Box Drum LED

Invigorate your space with an SABD Series fixture that perfectly fuses high performance LED lighting and superior quality acoustic materials. The simple design of the SABD Series creates a bold definition that adds an aura of class and style to any space. The contemporary fashion of the Square Acoustic Box Drum is complimented by optimized efficiency and a range of customization. Choose from over thirty colors of acoustic material to personalize each fixture in your space. The SABD Series works well in lobbies, offices, and other high traffic areas, and can be pendant mounted from most ceiling types using aircraft cables.

CONSTRUCTION

Acoustic material is 100% PET containing at least 55% recycled content. Class B fire rating and moisture resistant.



FIXTURE DIMENSIONS

25X25: 25"W x 25"L x 12"H
50X50: 50"W x 50"W x 12"H

SPECIFICATIONS

- 30+ acoustic material color options available
- 6' pendant mount hanging kit accommodates most ceiling types
- ASTM E84 Class A or B Flammability Rating
- CRI >80
- >50,000 hrs of L70 LED life
- 0-10 Volt dimmable 120-277V
- Power factor >0.90
- 5 year warranty



CATALOG#: _____
 PROJECT: _____
 TYPE: _____

SABD Series

Square Acoustic Box
 Drum LED

ORDERING GUIDE

Factory at your fingertips. Fill in the blanks to create your part number or create a custom configuration.

Sample Part Number: SABD-P-25X25-L-D30-DMV-MCT-A22

SERIES	MOUNTING	WIDTH X LENGTH		GEAR	WATTAGE		DRIVER	CCT	
SABD	P Pendant	25X25	25"W x 25"L	L	D30	Defaulted 30 Watts 3300 Lumens 20 Watts 2200 Lumens 30 Watts 3300 Lumens (default) 40 Watts 4400 Lumens	DMV 0-10V Dimming	MCT	Multiple Color Temperature 3500K, 4000K, 5000K on a 3-Positions switch
		50X50	50"W x 50"L	LP	D85	85 Watts 8000 Lumens		30K	3000K
								35K	3500K
								40K	4000K
								50K	5000K

FLAIR ¹	MATERIAL CLASS
44 Ivory	Blank Class B
36 Berry	A Class A
22 Yellow	

Note:

1. Personalize your fixture by choosing the acoustic material color from the color guide on the following page.

*Programmable LED drivers allow custom configured wattages and corresponding lumens.

We reserve the right to change design, materials, LED's and finish in any way that will not alter installed appearance or reduce function and performance.

CATALOG#: _____
 PROJECT: _____
 TYPE: _____

ACOUSTIC MATERIAL COLOR OPTIONS

						
07 White	44 Ivory	42 Cream	52 Latte	53 Smoky Beige	02 Taupe	35 Speckled Earth
						
49 Brunette	54 Espresso	45 Big Red	43 Lava	36 Berry	50 Caramel	41 Marigold
						
55 Tangerine	51 Sunkist Orange	22 Yellow	39 Green Apple	48 Avocado	12 Moss	05 Dark Green
						
47 Emerald	18 Arctic Ice	30 Blue	56 Azure	19 Denim	21 Indigo Blue	09 Deep Blue
						
08 Eggplant	03 Light Gray	34 Pure Gray	11 Steel	17 Dark Gray	10 True Black	
						
02P Pecan Medium Brown*	01P Birch Light Brown*	03P Rich Soil*	04P Grey Wash*			

* Pecan Medium Brown & Birch Light Brown PET will incur additional cost

CATALOG#: _____
 PROJECT: _____
 TYPE: _____

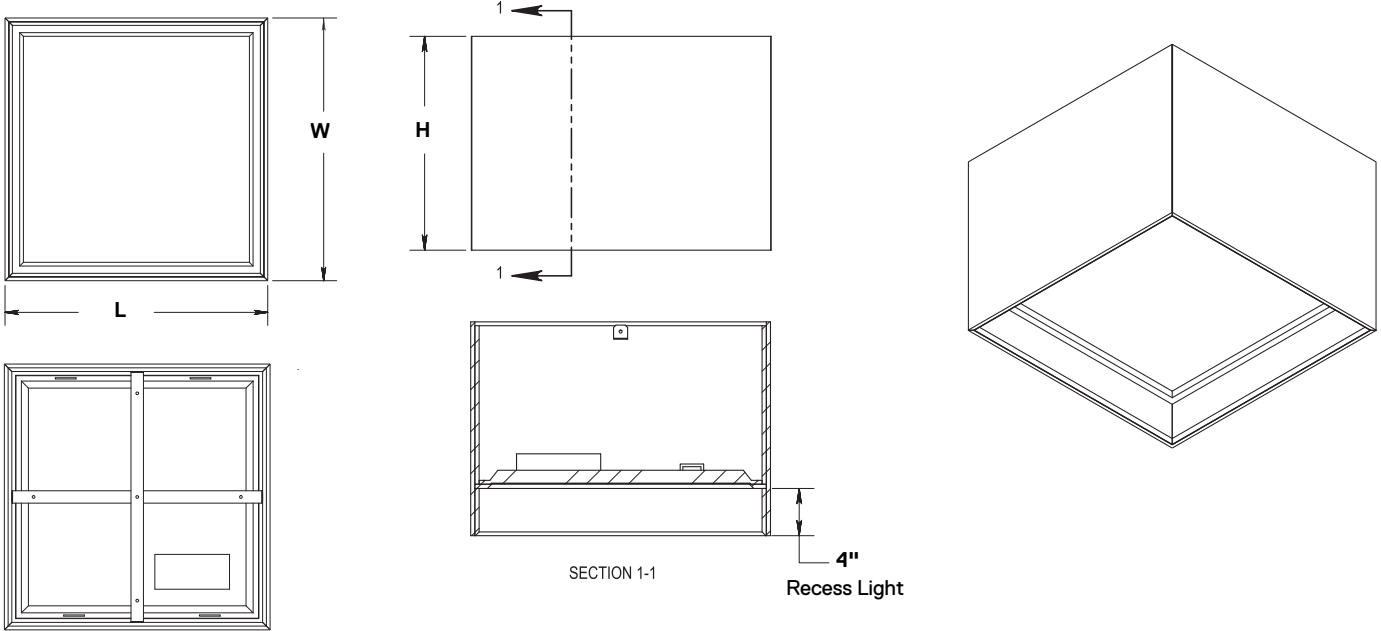
SABD Series

Square Acoustic Box
 Drum LED

PRODUCT DIMENSIONS

Sample Part Number	W	L	H
SABD25X25	25 in.	25 in.	12 in.
SABD50X50	50 in.	50 in.	12 in.

SABD25X25



SABD50X50

