



Texas Fluorescents  
Reinvented

CATALOG#: \_\_\_\_\_  
PROJECT: \_\_\_\_\_  
TYPE: \_\_\_\_\_

# Series SBC

## LED Shadow Box

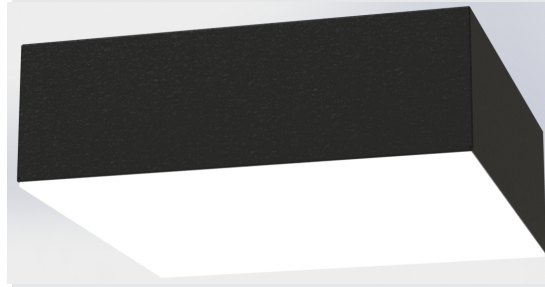
Upgrade your lighting experience with the subtle and redefining SBC shadow box. The SBC series features an ultra-thin face frame of only 1/16" for a virtually frameless appearance. Engineered stretch glow fabric produces an even, soft glow with strong color saturation. Specially designed LED strips provide bright, white and energy efficient illumination throughout the display. Five standard size options available, custom sizes and boxes can be combined to create a seamless appearance. An internal power supply makes installation easy. Designed for indoor lighting and graphics.

### CONSTRUCTION

Housing is welded, die-formed and embossed from 22 gauge cold-rolled steel. Wiring access plate and knockouts are provided for simple installation.

### OPTIONS

Emergency battery backup available in 10W, 12W (2X4 only), and 20W (remote only) options.



### DIMENSIONS

- 9X9: 9"W x 9"L x 3.5"H
- 12X12: 12"W x 12"L x 3.5"H
- 20X20: 20"W x 20"L x 3.5"H
- 24X24: 24"W x 24"L x 3.5"H
- 24X48: 24"W x 48"L x 3.5"H
- 48X48: 48"W x 48"L x 3.5"H

### SPECIFICATIONS

- 5 standard sizes: 9in x 9 in, 12in x 12in, 20in x 20in, 24in x 24in, 24in x 48in
- Custom sizes available.
- Custom printed options available.
- Surface, pendant, and stem mount available
- Many lumen package / wattage options via programmable drivers
- Multiple Kelvin temperature options (3000K, 3500K, 4000K, 5000K)
- Emergency battery backup options available
- CRI >80
- >50,000 hrs of L70 LED life
- Rated for dry and damp locations
- 0-10 Volt dimmable 120-277V (120V ELV/TRIAC avail)
- Power factor >0.90
- 5 year warranty



## ORDERING GUIDE

Factory at your fingertips. Fill in the blanks to create your part number or create a custom configuration.

Sample Part Number: SBC-SM-24X24-D22-DMV-WH-30K-W

SERIES	MOUNTING <sup>1</sup>		LENS MATERIAL <sup>2</sup>		LENGTH <sup>3</sup>		GEAR	WATTAGE & LUMENS* <sup>4</sup>	
SBC	SM	Surface Mount	Blank	Engineered Fabric Stretch Glow - White	9X9	9"W x 9"L	LP	D10	10 Watts 1000 Lumens
	P	Pendant			12X12	12"W x 12"L		D12	12 Watts 1200 Lumens
	ST	Stem Mount <sup>1</sup>			20X20	20" W x 20"L		D18	18Watts 1800 Lumens
					24X24	24"W x 24"L		D22	22 Watts 2200 Lumens
					24X48	24" W x 48"L		D44	44 Watts 4400 Lumens
					48X48	48" W x 48"L		D88	88 Watts 8800 Lumens

DRIVER		FINISH <sup>5</sup>		CCT		CONFIGURATION	
DMV	0-10V Dimming	WH	White	30K	3000K	Blank	Bolted
G120	Triac/ELV Dimming at 120V only	BK	Black	35K	3500K	-W	Welded
		SL	Silver	40K	4000K	-M	Modular
D1MV	0-10V Dimming (dim to 1%)			50K	5000K		

OPTIONS			
WP	6 ft. 3 wire 18 gauge whip	EM	10W Emergency battery backup
WP4	6 ft. 4 wire 18 gauge whip (non dimming EM)	EM12	12W Emergency battery backup (2x4 only or remote)
WP5W	6 ft. 5 wire 18 gauge whip	EM20	20W Emergency battery backup (remote only)
WP6W	6 ft. 6 wire 18 gauge whip (dimming EM)		

Note:

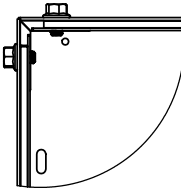
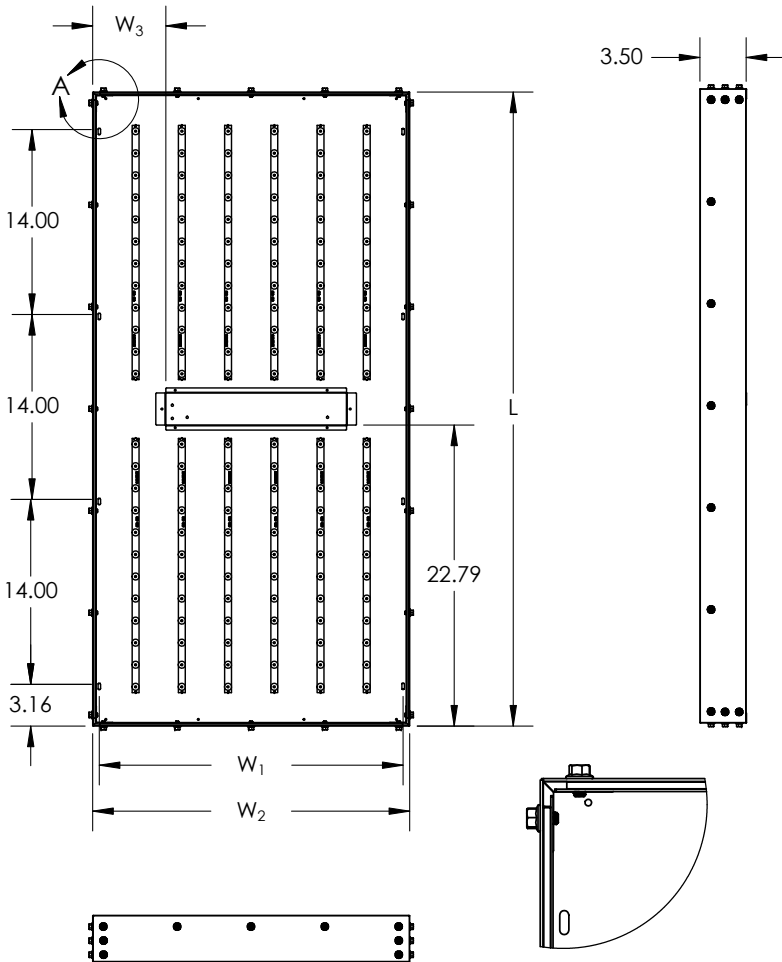
1. Stem mount only available for 20" x 20" fixtures and smaller.
2. Fabric options available for all sizes.
3. Custom fixture sizes available, please consult factory for more information. Custom designs require drawing and design approval.
4. Board level lumen.
5. Standard finishes are White, Black, and Silver. Please consult factory for more information and pricing on custom color options.

\*Programmable LED drivers allow custom configured wattages and corresponding lumens.

We reserve the right to change design, materials, LED's and finish in any way that will not alter installed appearance or reduce function and performance.

### PRODUCT DIMENSIONS

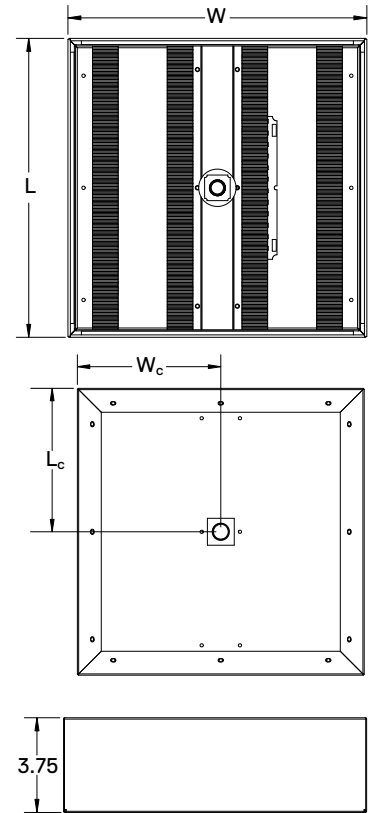
#### Surface/pendant Mount Configuration



DETAIL A  
SCALE 1 : 4

Fixture Size	W	L	W <sub>2</sub>	W <sub>3</sub>	L <sub>2</sub>
24X24	24"	24"	23"	5.5"	10.8"
24X48	24"	48"	23"	5.5"	22.8"

#### Stem Mount Configuration



Fixture Size	W	L	W <sub>c</sub>	L <sub>c</sub>
9X9	9"	9"	4.5"	4.5"
12X12	12"	12"	6"	6"
20X20	20"	20"	10"	10"