



MOUNTING

Surface mount or Pendant mount.
Horizontal or Vertical.

TYPICAL OPTIONS AND ACCESSORIES

Occupancy Sensor, Whips, fuses, and cord sets. See options page at the end of the T02Strip section, or contact factory for more details.

FEATURES & SPECIFICATIONS

INTENDED USE

Full body micro silhouette makes a bold statement with a minimal design in require clean, bright light. The matte white diffuser surrounds the LEDs for soft lighting. Fixture can be surface mounted on wall or ceiling or pendant mounted with specially engineering cable mounting kit.

SIZE H x W x L in inches

- 2.83"H x 2.36"W x 23.60"L
- 2.83"H x 2.36"W x 47.25"L
- 2.83"H x 2.36"W x 60.43"L

MATERIALS & FEATURES

- Fully assembled housing is formed and welded, 22 gauge steel, chemically treated to resist corrosion and enhance paint adhesion
- Can be mounted individually or in continuous row
- Available with smooth frosted lens
- Knock-outs on back accept standard electrical fittings (by others) Consult factory for other locations
- Dimming ballast options available (consult factory for availability and system compatibility)

ORDERING INFORMATION

Example: SSESFR24LR14W1400LSTMV40KWH

2FT

SS	SES	FR	24L	R14W1400L	STMV	40K	WH
Series	Series		Width	Wattage and Lumen		Color Temperature	Finish
SS Occupancy Sensor <small>(ON WHEN OCCUPIED, OFF WHEN NOT)</small>	SES LED Linear Surface Mounted		24L 23.60"	R14W1400L 14 System Watts, 1400 Delivered Lumens		30K 3000K 35K 3500K 40K 4000K 50K 5000K	WH White (standard) Option: BK Black SL Silver
SD Daylight Harvesting Sensor		Lens		R20W2000L 20 System Watts, 2000 Delivered Lumens	Driver		
Blank Metal Plate Cover		FR Frosted Lens			DMV 0-10V Dimming <small>*Field installed-Dimming Wire</small>		
					STMV* Step Dimming <small>*Dimming Range 50%/100% Output current</small>		

4FT

Example: SSESFR48LF31W3100LSTMV40KWH

SS	SES	FR	48L	F31W3100L	STMV	40K	WH
Series	Series		Width	Wattage and Lumen		Color Temperature	Finish
SS Occupancy Sensor <small>(ON WHEN OCCUPIED, OFF WHEN NOT)</small>	SES LED Linear Surface Mounted		48L 47.20"	F28W2800L 28 System Watts, 2800 Delivered Lumens		30K 3000K 35K 3500K 40K 4000K 50K 5000K	WH White (standard) Option: BK Black SL Silver
SD Daylight Harvesting Sensor		Lens		S31W3100L 31 System Watts, 3100 Delivered Lumens	Driver		
Blank Metal Plate Cover		FR Frosted Lens		<small>*For color consistency between fixture lengths "F31W" should pair with 8" "F62W"</small>	DMV 0-10V Dimming <small>*Field installed-Dimming Wire</small>		
				R40W4000L 40 System Watts, 4000 Delivered Lumens	STMV* Step Dimming <small>*Dimming Range 50%/100% Output current</small>		
				<small>*For color consistency between fixture lengths "R40W" should pair with 8" "R80W"</small>			

*Step Dim Recommended for bi-level lighting when using the SS occupancy sensor version.

Catalog Number:
Notes:

Texas Fluorescents
Reinvented

Occupancy Sensor

- Self-Contained Relay,
- No Power Pack Needed
- No Minimum Load Requirements
- Interchangeable Hot & Load Wires,
- Impossible to Wire Backwards
- Push-Button Programmable
- Adjustable Time Delays
- No Field Calibration or Sensitivity
- Adjustments Required
- Convenient Test Mode
- 100 hr Lamp Burn-in Timer
- Green LED Indicator

Physical Specs

SIZE 2.25" H x 1.38" W x 0.82" D
(5.715 cm x 3.51 cm x 2.08 cm)
WEIGHT 4 oz
MOUNTING Snaps into 2 3/16" H x 1 5/16" W x 1" D
cavity in fixture
COLOR White



Series UGS

Wall bracket & Surface Mount LED w/Optional Sensor

8FT

Example: SSSESFR96LF62W6200LSTMV40KWH

SS	SES	FR	96L	F62W6200L	STMV	40K	WH
Series	Series		Width	Wattage and Lumen		Color Temperature	Finish
SS	SES		96L 94.40"	S62W6200L 62 System Watts, 6200 Delivered Lumens <small>*For color consistency between fixture lengths "F61W" should pair with 4" "F31W"</small>		30K 3000K 35K 3500K 40K 4000K 50K 5000K	WH White (standard) Option: BK Black SL Silver
Occupancy Sensor <small>(ON WHEN OCCUPIED, OFF WHEN NOT)</small>	LED Linear Surface Mounted			R80W8000L 80 System Watts, 8000 Delivered Lumens <small>*For color consistency between fixture lengths "R80W" should pair with 4" "R40W"</small>			
SD Daylight Harvesting Sensor		Lens			Driver		
Blank Metal Plate Cover		FR Frosted Lens			DMV 0-10V Dimming <small>*Field installed-Dimming Wire</small>		
					STMV* Step Dimming <small>*Dimming Range 50%/100% Output current</small>		

*Step Dim Recommended for bi-level lighting when using the SS occupancy sensor version.

Accessories-Hanging Kit Options

Part Number	Descriptions
HC501WH	Cable kit with 4' Cable & 3 Wires Power Feed/Cable Incl. and White Canopy
HC502WH	Cable kit with 12' Cable & 3 Wires Power feed/Cable Incl. and White Canopy
HC5015WWH	Cable kit with 4' Cable & 5 Wires Power Feed/Cable Incl. and White Canopy
HC5025WWH	Cable kit with 12' Cable & 5 Wires Power feed/Cable Incl. and White Canopy
2SCS24WH	Two Stem kits with 24" Stem, Canopy and Mounting hardware for a 4' fixture

Plug in system Options - it's for continuous run application by simply plugging in sections together

Part Number	Descriptions
PI1	3 Wires Harness, Including White, Black and Green
PI2	4 Wires Harness, Including White, Black, Green and Blue for Emergency Battery Backup
PI3D	5 Wires Harness, Including White, Black, Green, Violet and Gray

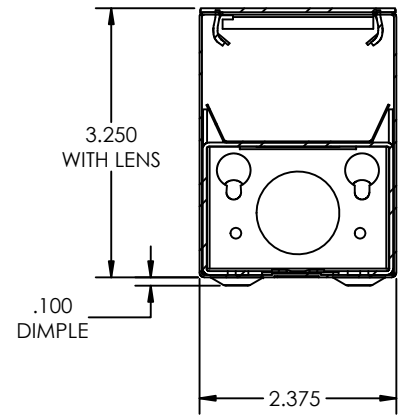
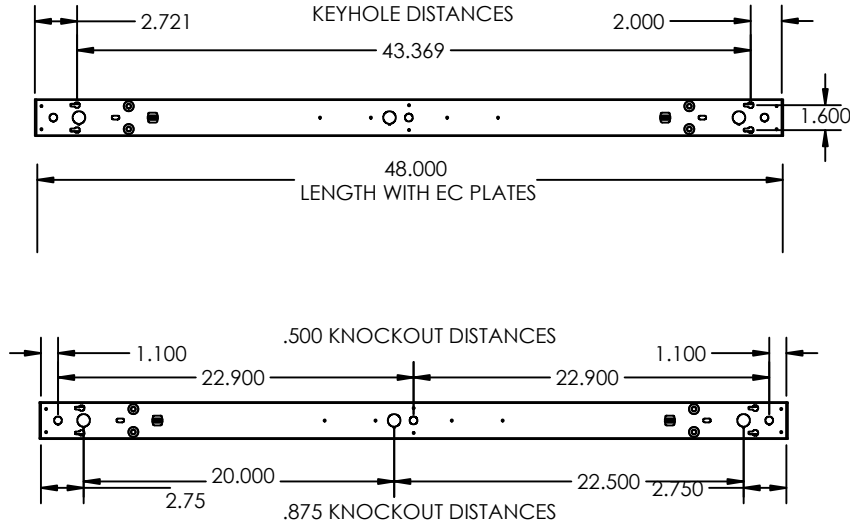
* Add the accessories part numbers at the end to be factory installed

DIMENSIONS

All dimensions are inches. Specifications subject to change without notice.

4ft Fixture Dimensions

BOTTOM VIEW



END VIEW

8ft Fixture Dimensions

