

# Series SE

## Narrow Body Strip Two Lamp



### FEATURES & SPECIFICATIONS

#### INTENDED USE

Narrow body two lamp strip for interior warehouse, retail, and utility areas requiring general illumination in a commercial quality narrow strip configuration. Economical two lamp versions also available

#### SIZE W x L x H in inches (mm)

2.75W x 1.80H (70 x 45)

Fixture length = lamp(s) length

#### MATERIALS & FEATURES

Housing is die-formed and embossed code 22 gage steel. Finish is high reflectance baked white enamel. Wiring knockouts are provided on back, side, and end of housing. Ballast covers or reflectors attach without tools to simplify ballast access.

- W3x, economical white steel reflectors, for abusive locations  
Two styles: symmetric and asymmetric
- W2x, premium full specular (mirrored) reflectors, for maximum efficiency
- W1x, high reflectance white aluminum reflectors, combine economy and efficiency

#### LAMP

2 lamp position.

#### MOUNTING

Surface mount, chain hung, double stem. See end of chapter T02Strip for accessory mount kits.

#### LISTING

Fixture and Ballast: UL Listed.

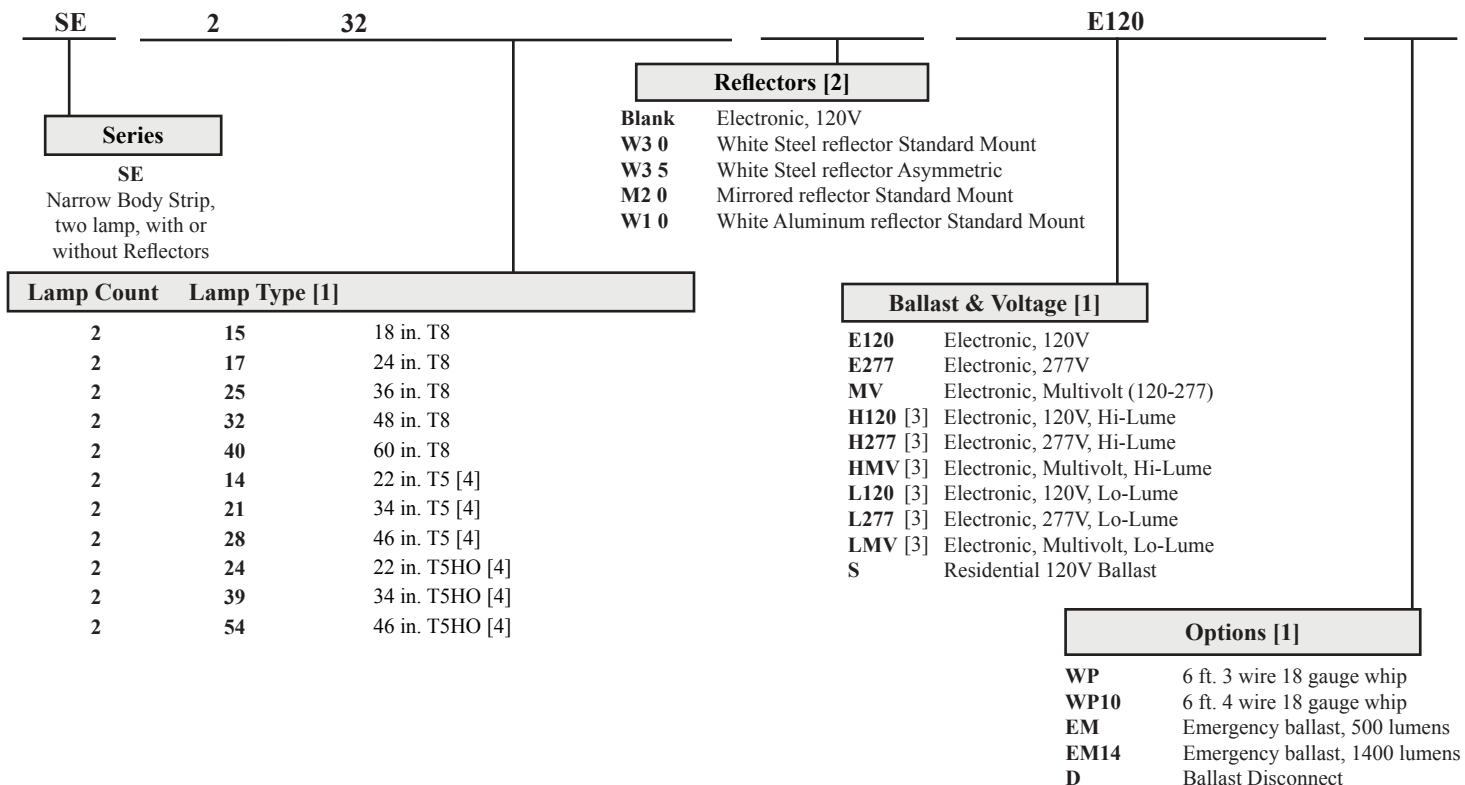
Ballast: Thermally protected, class P, HPF, Non PCB; unless specified otherwise.

#### TYPICAL OPTIONS AND ACCESSORIES

Emergency ballasts, whips, fuses, and wire guards. See options page at the end of the T02Strip section, or contact factory for more details.

Example: SE 232 E120

### ORDERING INFORMATION



#### Notes

- [1] See end of T02Strip section for many additional lamps, ballasts, finishes, and options.  
 [2] Custom reflectors available to create any light distribution.  
 [3] HiLume and LoLume ballasts available for T8 lamps only.  
 [4] T5 & T5HO S body strips are full 24/36/48/96in length. See KDS series for shorter strips.

**EM14 ballast required for T5HO lamps**

Catalog Number:
Notes:

# Series SE

Narrow Body Strip  
Two Lamp



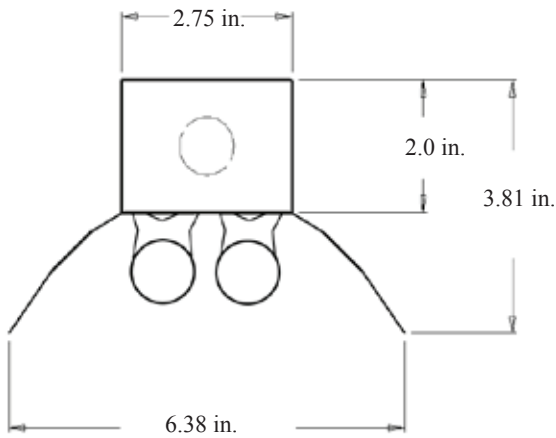
## DIMENSIONS

All dimensions are inches. Specifications subject to change without notice.

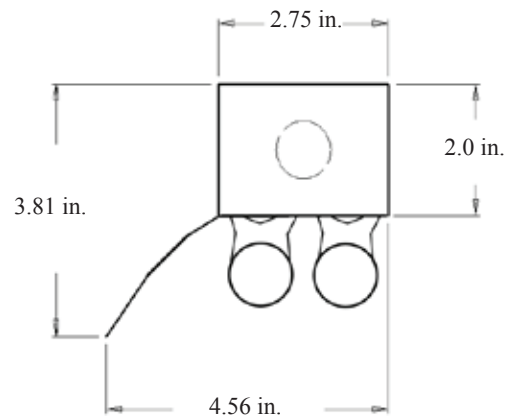


All SE series strips are full 18 in.  
2, 3, 4, or 5 ft. lengths (incl T5 & T5HO)

**Style 0**



**Style 2**



Catalog Number:
Notes: