



JOB NAME:

CAT#:

TYPE:

## APPLICATIONS

This Sky Bay Edgelit Flat Panel provides comfortable, abundant lighting with a modern design. It is available in multiple color temperatures and is 0-10V dimmable. The panel is designed for T-Bar recessed mounting with ballast box on the top side of the panel. The panel has an unobtrusive white edge. These panels are an ideal choice for many applications including offices, circulation spaces, retail, hospitality and in residential kitchens to give a skylight appearance.

Housing is white aluminum that is sealed and Non-IC type fixture. Lens is evenly diffused frosted material. The driver is Class 2 compliant design, featuring low voltage, limited power and is capable of 0-10V dimming as standard. Fixture is 80CRI minimum, multiple color temperatures, sizes and wattages are available. 5 year limited system warranty. Listed by and bears cUL<sub>us</sub> label.



## FEATURES & BENEFITS

- Environmentally friendly-mercury free
- L70 ≥ 50,000 hrs
- CRI>80
- 0-10 Volt dimmable 120-277VAC
- High efficacy and UV and IR Free
- RoHS compliant
- 5 year warranty
- PF>99
- cUL<sub>us</sub> Listed

## DIMENSIONS

- 1x4 - 12.0" x 47.65" x 3.68
- 2x2 - 23.95" x 23.95" x 3.68
- 2x4 - 23.95" x 47.86" x 3.68
- Driver - 10.625" x 3.0" x 1.7"



FRONT VIEW



BACK VIEW

Dimensions and specifications subject to change without notice.



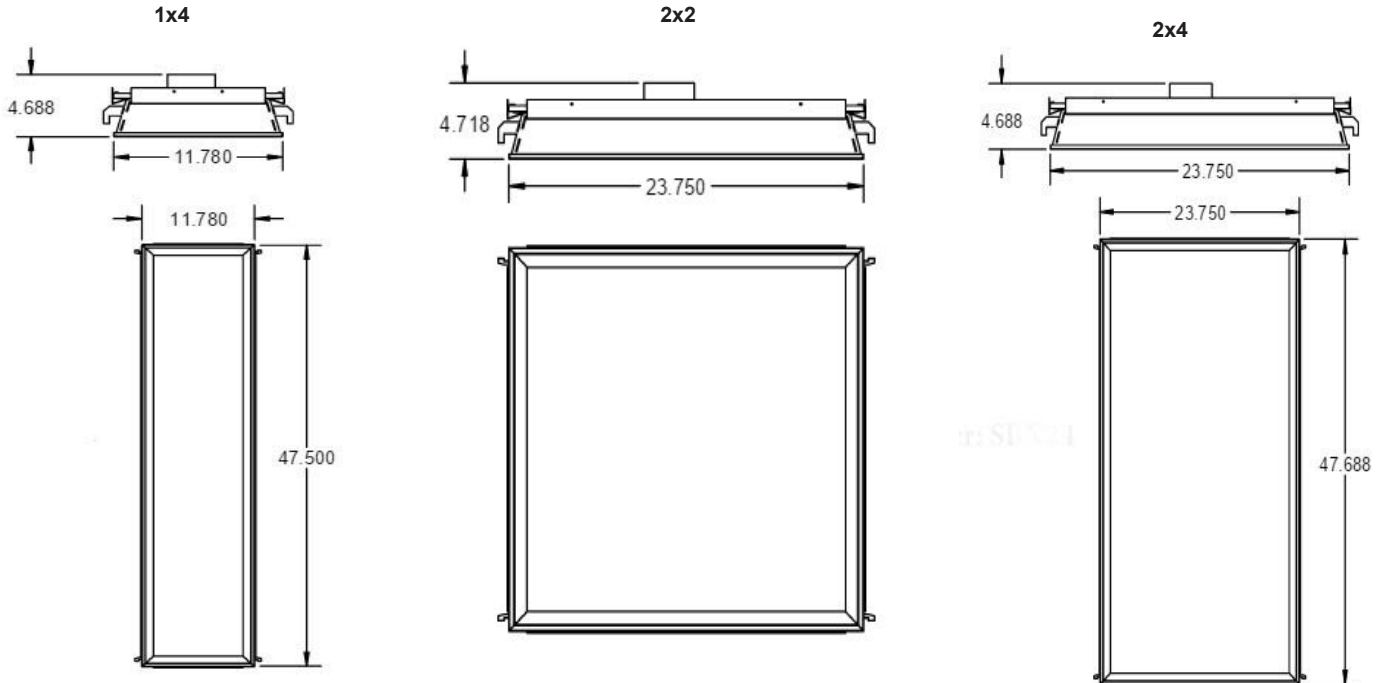


JOB NAME:

CAT#:

TYPE:

**DIMENSIONS**



**ORDERING**

EXAMPLE: SKB 14 LED 40 DMV WH 35 EM

SKB		LED							
1. SERIES	2. LENGTH	3. GEAR	4. WATTAGE/LUMENS	5. DRIVER	6. FINISH	7. COLOR TEMP	8. EM		
<b>SKB</b>	<b>14</b> 1x4 <b>22</b> 2x2 <b>24</b> 2x4	<b>LED</b>	<b>40</b> 40 Watts 5000 Lumens <b>50</b> 50 Watts 6250 Lumens <b>75</b> 75 Watts 9375 Lumens	<b>DMV</b> 0-10V Dimming 120-277V	<b>WH</b> White	<b>35</b> 3500K <b>40</b> 4000K <b>50</b> 5000K	<b>EM</b> 10W, 1300 lumen Battery backup		

Dimensions and specifications subject to change without notice.

