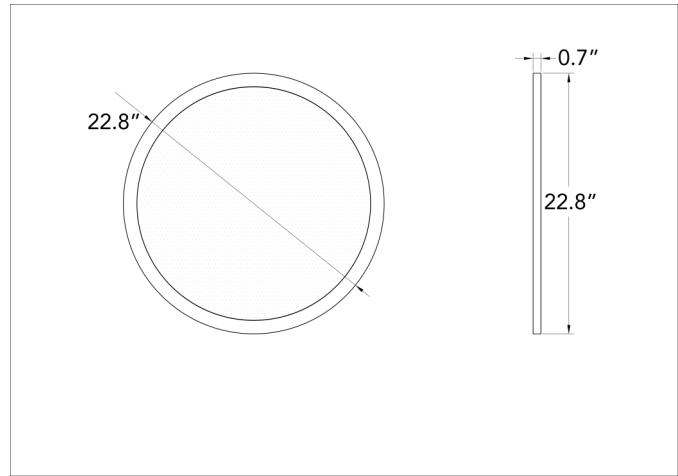


**DIMENSIONS:**



- SRPL-40W-50K-D
- SRPL-40W-40K-D
- SRPL-40W-35K-D

**LED ROUND SUSPENDED UP/DOWN PANEL LIGHTS**

Ideal for hotel, offices, retail outlets, restaurant, parking garages, storage room, conference room, education facilities and more.

**ELECTRICAL SPECIFICATIONS:**

- Voltage: 120-277VAC 50/60Hz
- Wattage: 40W
- Power factor: >0.95
- Efficacy: 110LM/W

**HOUSING SPECIFICATIONS:**

- White, Die-cast Aluminum housing
- Operating temperature: -13°F ~ 104°F
- Lifespan: 50,000 hrs.
- IP rating: IP20

**CERTIFICATIONS:** UL, DLC



MODEL	WATTS	VOLTAGE	LUMENS UP/DOWN	COLOR TEMP
SRPL-40W-50K-D	40W	120~277VAC	2100LM/2100LM	5000K
SRPL-40W-40K-D	40W	120~277VAC	2100LM/2100LM	4000K
SRPL-40W-35K-D	40W	120~277VAC	2100LM/2100LM	3500K

**LIGHTING SPECIFICATIONS:**

- Dimming: 0~10V dimmable
- Lens: Prismatic Polycarbonate
- Total lumens: 2100LM/2100LM
- Color temperature: 5000K/4000K/3500K
- Color rendering index: >80

**WARRANTY:** 5 years

