

LED PAR16 LAMP

Model No. EP16-4040ew

LED **EP16-4040ew** delivers superior brightness, valuable energy savings, long lasting performance and true color perception. These PAR16 LED spot bulbs are ideal for task lighting due to its uniform "Bright white light (4000K) and replace conventional 50 Watt incandescent light bulbs. Enjoy features such as: instant on, dimming options, shatter resistance, mercury free, 90+CRI and damp rated.



50W

REPLACEMENT



7 Watts



Bright White



90+ CRI



Energy Efficient



Dimmable



Damp Rated

Electrical Specifications

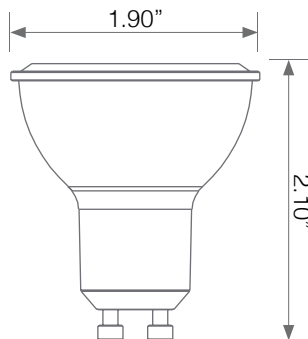
Model No.	Input Power	Input Voltage	Lumen Output	Beam Angle	Center Beam	CCT
EP16-4040ew	7 W	120V	450 lm	40°	N/A	4000 K

CRI	Luminous Efficacy	Power Factor	Input Current	Base	Lamp Lifespan	Estimated Yearly Cost
90+	64 lm/W	0.9	0.07 A	GU10	25,000 Hrs.	\$ 0.84

Mechanical Specifications

Rating	Operational Temperature	Inner Box QTY.	Master Box QTY.	Dimensions(in.)	UPC Code
Damp Rated	-4F - 104 F	10 pcs	100 pcs	1.90"(Ø) x 2.10"(H)	811174037033

Product Dimensions



Product Photometric Data

