



ATG Electronics® iBright™ LED Linear Highbay

USER GUIDE



NOTE:

Please read the entire manual to fully understand and safely use this product.

The products can be used at the voltage of 100-277V AC, 50/60Hz, suitable for indoor dry environment.

Specifications are subject to change without notice. Please visit www.atgelectronics.com for the most recent user guide versions.

UNPACKING

- 1) Unpack and carefully examine the product.
- 2) Report any damage and save all packing materials if any parts were damaged during shipping.
- 3) Do not attempt to use this apparatus if it is damaged.

INSTALLATION INSTRUCTIONS

- 1) CONSULT A QUALIFIED ELECTRICIAN TO ENSURE CORRECT BRANCH CIRCUIT CONDUCTOR.
- 2) The product should be installed and operated by a qualified electrician or technician in accordance with relevant local codes.
- 3) Risk of electric shock. Ensure that main power source is off when wiring or soldering the sections of the product.

MAINTENANCE

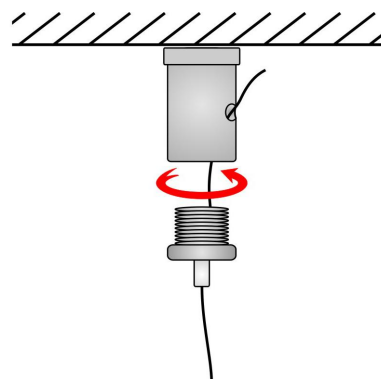
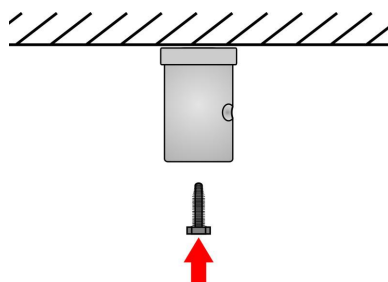
- 1) Prior to cleaning the product, make sure it has been disconnected from the power supply.
- 2) Use a dry or slightly moistened cloth for cleaning.
- 3) Never use any chemicals or abrasive materials for cleaning.

INSTALLATION STEPS

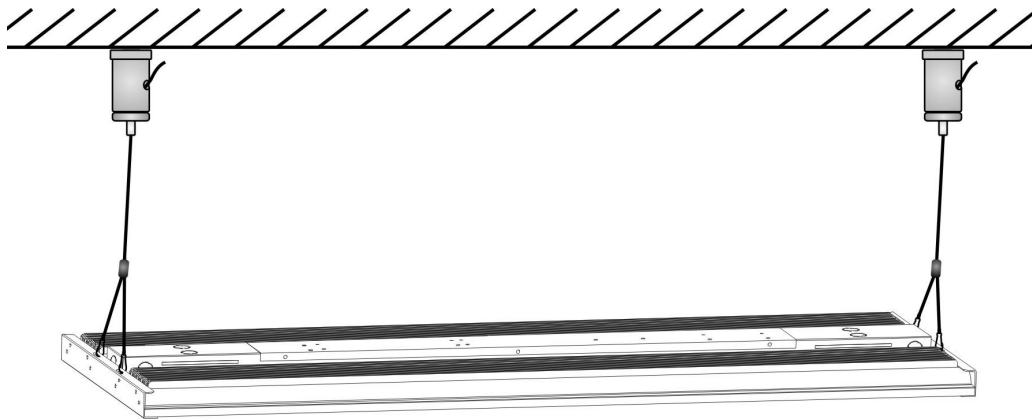
Turn off the main power before installation.

1. Suspended with rope.

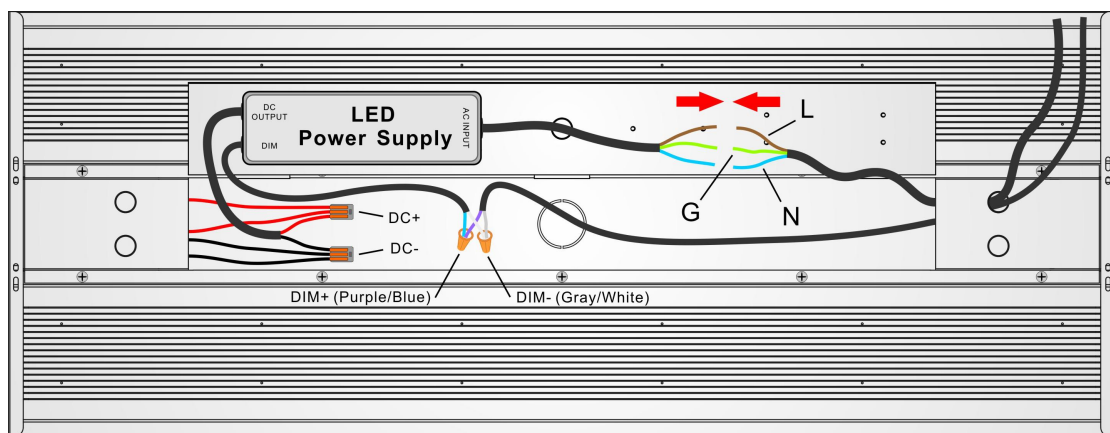
- 1) Fix the rope gripper base to the ceiling with screws.
- 2) Twist the rope gripper to the base.



- 3) Hook the luminaire with hooks from the rope.



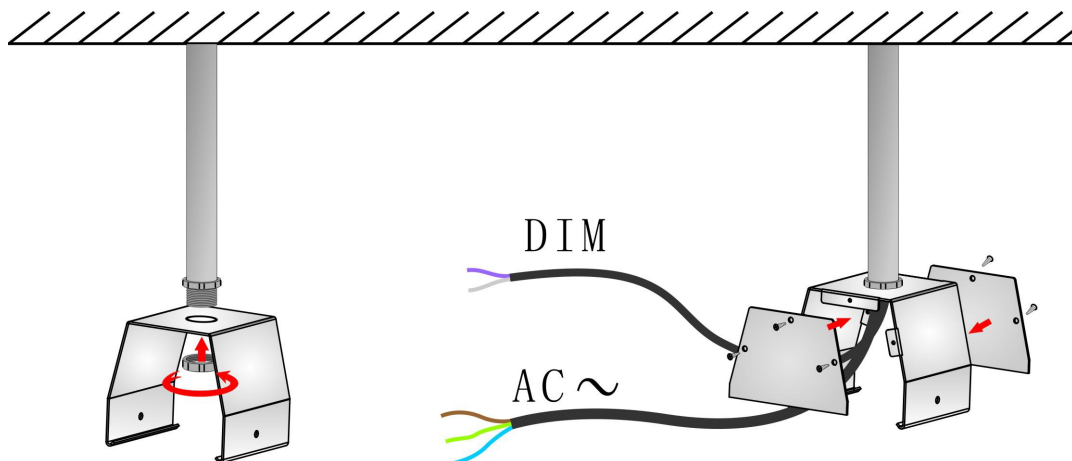
- 4) Connect the source VAC to driver VAC in and the dimming source to driver DIM in.



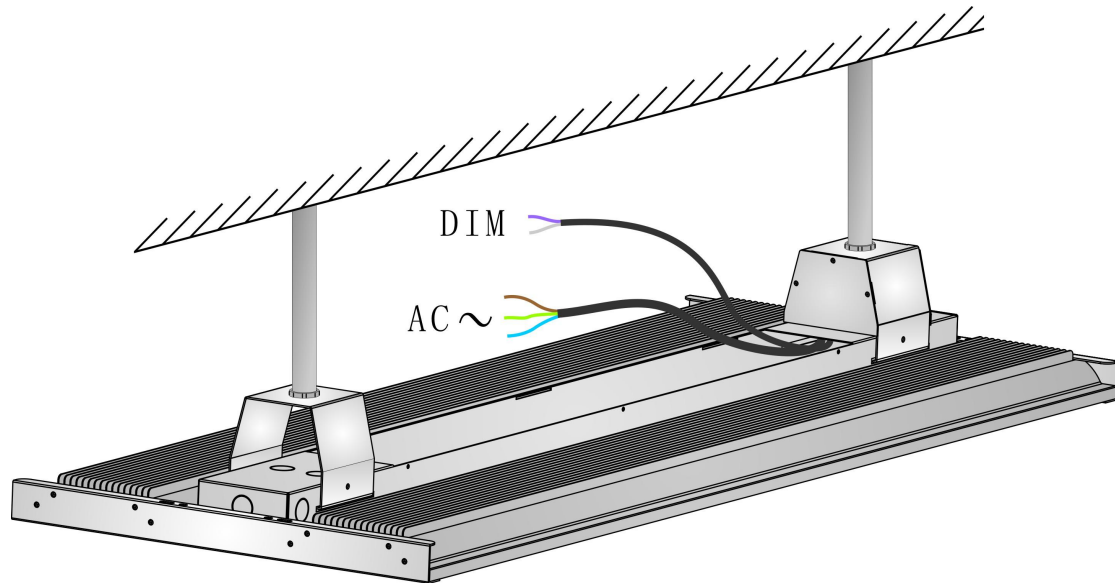
- 5) Adjust the rope length and close the driver box.

2. Suspend with conduit

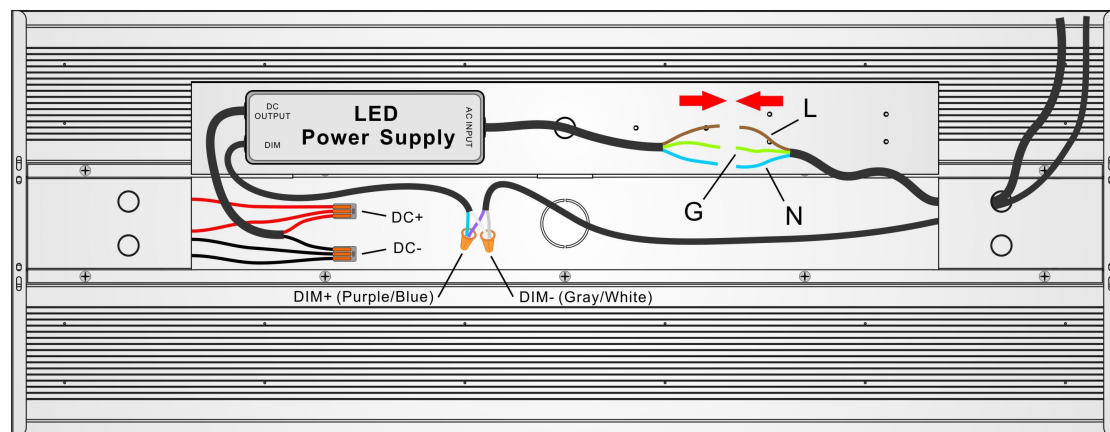
- 1) Twist the bracket onto the conduit and lock it with nut.



- 2) Fit the brackets in the back of the luminaire and fix them with screws.



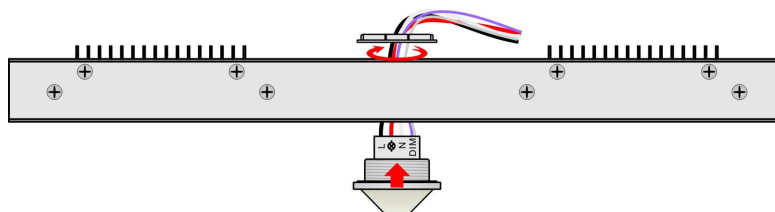
- 3) Connect the source VAC to driver VAC in and the dimming source to driver DIM in.



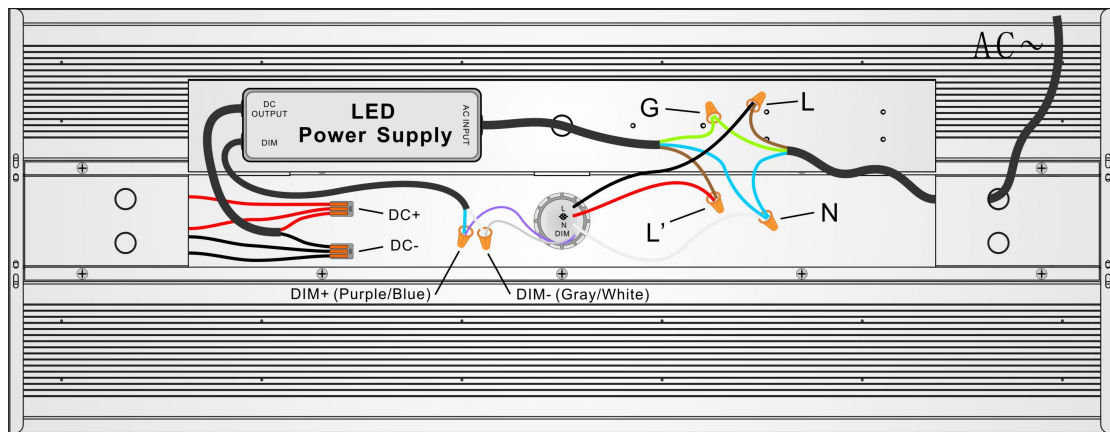
- 4) Close the driver box and twist tightly the screws.

Bi-level occupancy sensor Installation:

1. Gently pry up the lid from the luminaire surface.
2. Insert the sensor into the hole.
3. Open the driver box and lock the sensor tightly with the plastic nut from the luminaire back.



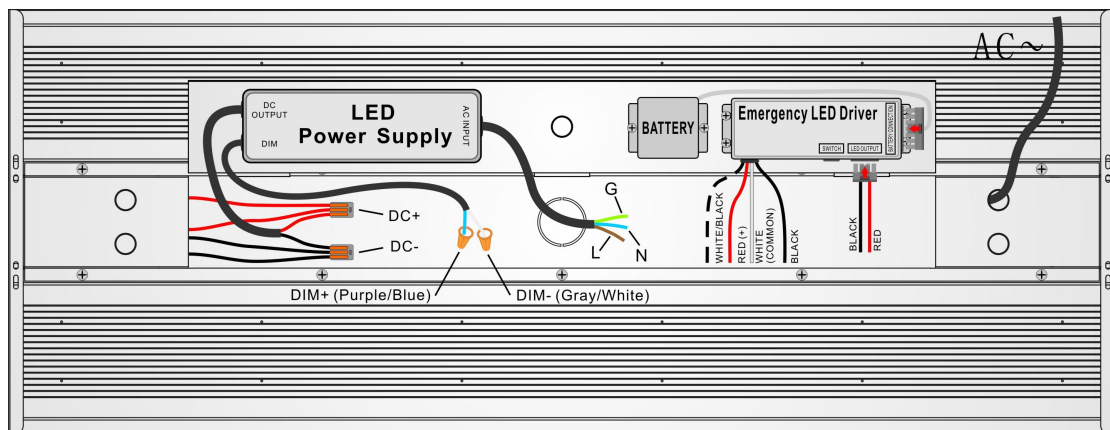
4. Wiring the Sensor to the luminaire and ensure connect the wires correctly.



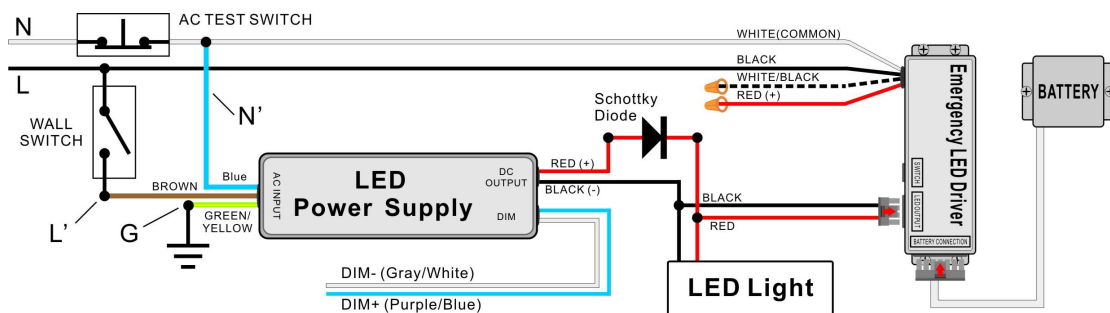
5. Close the driver box and tightly twist the screws.

Emergency kit Installation:

1. Open up the driver box on the back of the luminaire.
2. Fix the battery and Emergency LED Driver on the back of the driver box cover.



3. Ensure connect the wires correctly as following picture.



4. Close the driver box and tightly twist the screws.