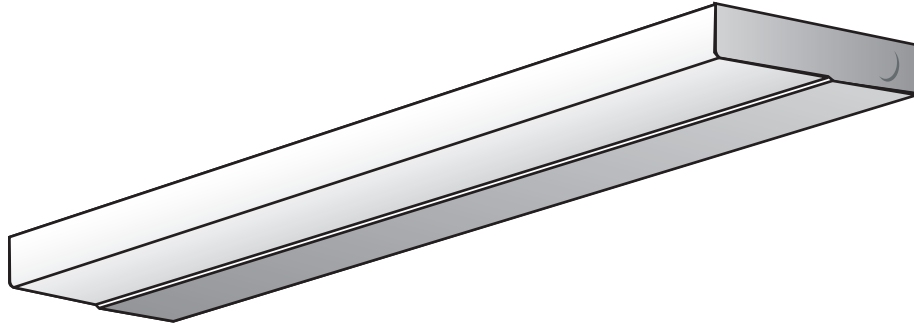


## Wall Mount Series TIE



### **Intended Use**

High Performance Undercabinet Light.

## **FEATURES & SPECIFICATIONS**

---

### **Specifications**

- Knockouts provided on cover for optional convenience outlet.
- Knockouts provided on side and back for power feed.
- Keyhole mounting slots provided on back.
- 1/2" Power connector included.
- Completely wired, ready for installation.
- Comes complete with switch in box & conduit connector with lamps.
- Made in U.S.A.

### **Electrical**

UL listed 120V power factor corrected electronic ballast.

- No annoying lamp flickering during start up - Instant On!
- Energy efficient electronic ballast - lower operating cost.
- Cooler operation - as much as 60% less than conventional pre-heat ballast.
- Quieter - eliminates ballast noise.
- No starter required.

### **Housing**

Die formed housing of sturdy 20 gauge steel.

### **Diffuser**

One piece extruded ribbed white diffuser designed to snap-out FOR easy installation and relamping.

### **Finish**

All metal surfaces are specially treated for rust resistance and better paint adhesion, then electrostatically sprayed with high white enamel of 87% reflectance and baked at 375 for maximum durability.

### **Listing**

Fixtures conform to Underwriters' Laboratories standards for production and are carefully tested prior to packing.

### **Optional Equipment**

- Grounded convenience outlet
- GLR fuse and fuse holder
- Lamps
- 6 foot, 3 conductor power cord

---

**(972) 247-3171**

Factory/Warehouse • 2055 Luna Road • Suite 142 • Carrollton, TX 75006

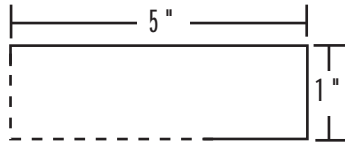
(972) 247-3171 Phone • (972) 247-0200 Fax

Email [sales@texasfluorecents.com](mailto:sales@texasfluorecents.com)

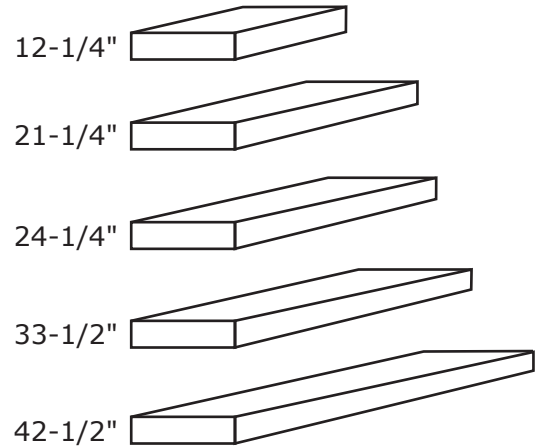
Look For Complete Internet Catalog • [www.texasfluorecents.com](http://www.texasfluorecents.com)

## Wall Mount Series TIE

### ***DIMENSIONS***



Note: Dimensions subject to change without notice.  
Please contact factory for verification



5 Lengths

### ***ORDERING INFORMATION***

<b>SERIES TIE</b>		
<b>Part Number</b>	<b>Bulb</b>	<b>Size</b>
TIE 108	1-F8T5	12-1/4" X 5" X 1"
TIE 113	1-F13T5	21-1/4" X 5" X 1"
TIE 208	2-F8T5	24-1/2" X 5" X 1"
TIE 813	1-F8T5 & 1-F13T5	33-1/2" X 5" X 1"
TIE 213	2-F13T5	42-1/2" X 5" X 1"

Also available as T1108 in pre-heat

**(972) 247-3171**

Factory/Warehouse • 2055 Luna Road • Suite 142 • Carrollton, TX 75006

(972) 247-3171 Phone • (972) 247-0200 Fax

Email [sales@texasfluorescents.com](mailto:sales@texasfluorescents.com)

Look For Complete Internet Catalog • [www.texasfluorescents.com](http://www.texasfluorescents.com)