

Catalog #:	
Project :	
Type :	Date:
Notes:	

## LED Center Basket Troffer Luminaire

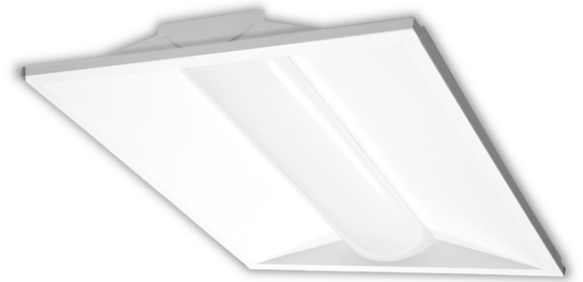
TL-CBT1™ SERIES

### DESCRIPTION

High performance lumens per watt offer deepest energy savings. Durable white Iron body & frosted lens. 100% Mercury & Lead Free.

### APPLICATIONS

Ideal for lighting offices, schools, hospitality, healthcare & other industrial applications. Easy to install, Snap-on lens, and improved aesthetics.



### QUICK SHIP:

TL-CBT1-30W-22-35K	TL-CBT1-30W-22-40K	TL-CBT1-30W-22-50K
TL-CBT1-40W-24-35K	TL-CBT1-40W-24-40K	TL-CBT1-40W-24-50K
TL-CBT1-50W-24-35K	TL-CBT1-50W-24-40K	TL-CBT1-50W-24-50K



### Specification Features

#### Controls / Dimming

High quality isolated driver; 0-10V dimming; Flicker free. Optional sensor and Emergency Battery Backup available.

#### Warranty

7 Years Limited Warranty. See warranty documentation for more information.

#### Certification

It complies with UL & cUL certification. DLC Premium listed. IP20 Rated.

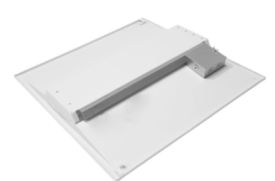
#### Installation / Mounting

Luminaire installs in Lay-in T-Bar Grid or Drop-In Ceiling Mount, Cable Install or Surface Mount install. Beam angle is >150°. Instant start w/NO humming.

### Ordering Information

Example: TL-CBT1-30W-24-35K-DN-B-I

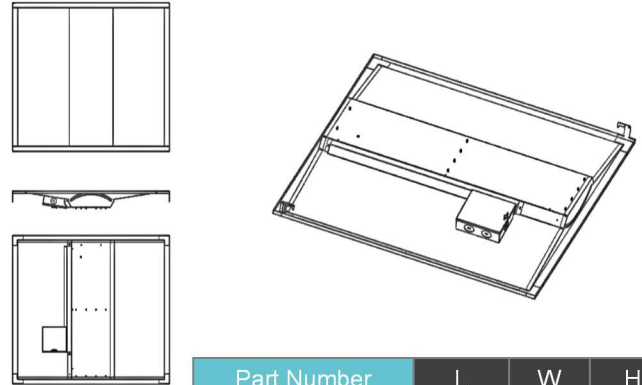
TL	CBT1	30W	24	35K	D	[BLANK]	[BLANK]	[BLANK]
Brand	Series	Nominal Wattage	Size	Color Temp	Dimmable	Sensors	Version	Body
<b>TL</b> TechnoLED	<b>CBT1</b> Center Basket Troffer	<b>20W</b> <small>(2x2 Only)</small> 20 Watt	<b>22</b> 2 x 2	<b>35K</b> 3500K	<b>D</b> [Blank] Dimmable <b>N</b> Non-Dimmable	<b>N</b> [Blank] No Sensor <b>P</b> Microwave Sensors <b>Voltage</b> <b>[Blank]</b> 120-277V	<b>B</b> Current Version	<b>I</b> Iron
		<b>30W</b> 30 Watt	<b>24</b> 2 x 4	<b>40K</b> 4000K				
		<b>40W</b> 40 Watt		<b>50K</b> 5000K				
		<b>50W</b> <small>(2x4 Only)</small> 50 Watt						
						<b>[BLANK]</b>	<b>Controls/Mounting/Options</b>	
<b>EM</b>						Emergency 90 Min. Battery Backup		
<b>SMK</b>						Surface Mounting Kit		



## Lighting Parameters

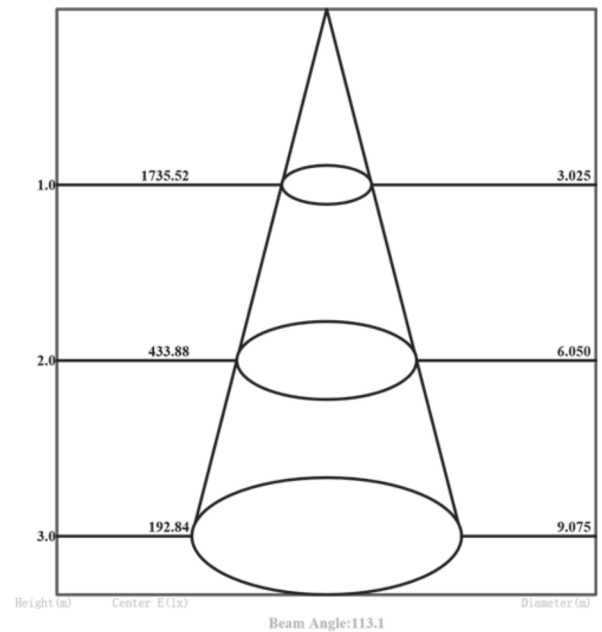
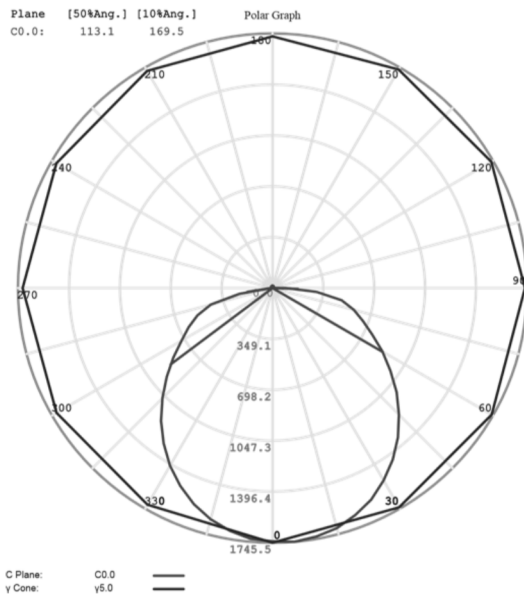
Input Voltage	AC120-277V
CCT	3500K / 4000K / 5000K
CRI	Ra>80
Luminous efficacy	125lm/w
PF	0.90
Driver Efficiency	87%
THD	15%
Working temperature	-4°F~113°F
Storage temperature	-22°F~130°F
IP Rating	IP20 Rated

## Product Dimension



Part Number	L	W	H
TL-CBT1-20W-22	23.7"	23.7"	2.6"
TL-CBT1-30W-22	23.7"	23.7"	2.6"
TL-CBT1-40W-22	23.7"	23.7"	2.6"
TL-CBT1-30W-24	47.6"	23.7"	2.6"
TL-CBT1-40W-24	47.6"	23.7"	2.6"
TL-CBT1-50W-24	47.6"	23.7"	2.6"

## Photometric data



## Packing Information

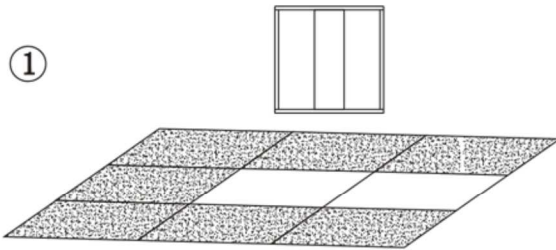
Model	Outer Carton Size (L x W x H)	Qty/Carton (pcs)	N.W./Ctn (lbs)	G.W./Ctn (lbs)
TL-CBT1- 20/30W 22 ( 2' x 2' )	26.2" x 25.4" x 3.15"	1	6.17 lbs.	8.27 lbs.
TL-CBT1- 40/50W 24 ( 2' x 4' )	49.4" x 26.2" x 3.15"	1	11.91 lbs.	14.73 lbs.

Model	Description	Watt	Lumens	Voltage	THD	PF	Weight
TL-CBT1-20W-22-xxK-XX-B-I	LED Troffer	20	2500	120-277	15%	>0.9	6.17
TL-CBT1-30W-22-xxK-XX-B-I	LED Troffer	30	3750	120-277	15%	>0.9	6.17
TL-CBT1-40W-24-xxK-XX-B-I	LED Troffer	40	5000	120-277	15%	>0.9	11.91
TL-CBT1-50W-24-xxK-XX-B-I	LED Troffer	50	6250	120-277	15%	>0.9	11.91

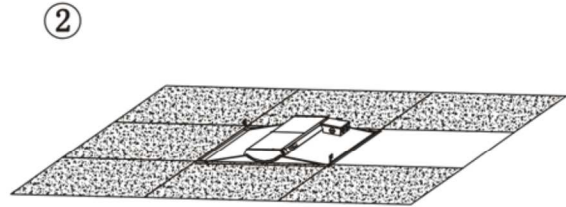
## Installation Instructions

### Lay-In Installation

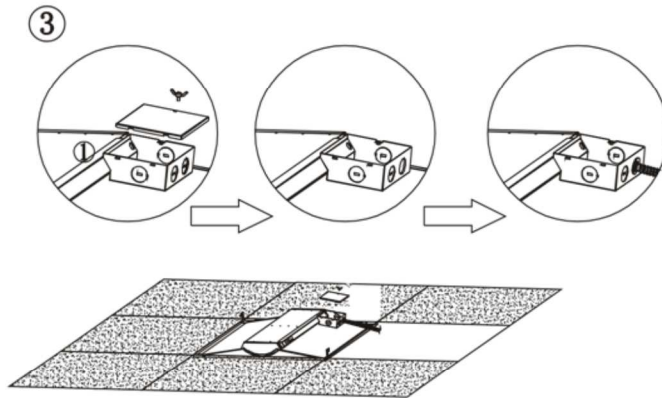
Please read the instructions carefully before installation



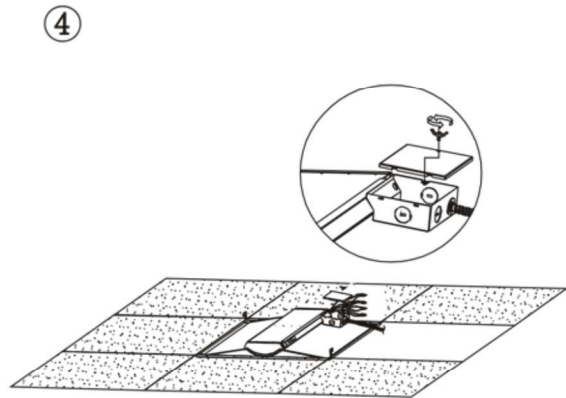
Step 1. Remove two boards.



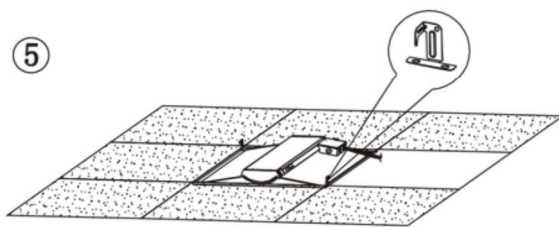
Step 2. Put the lamp on ceiling.



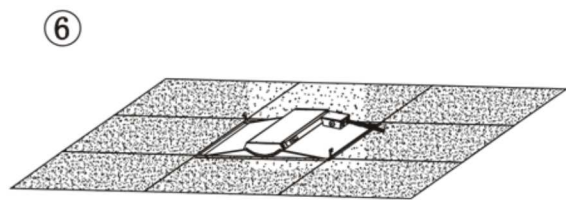
Step 3. Open the cover of junction box;  
Knock off the piece of side and let  
the wire conduit through junction box.



Step 4. Connect the wires with P2,  
Refer to wiring diagram as below.



Step 5. Lock the lamp on framework.



Step 6. Put another board back, check  
the lamp must be placed firmly.