

Catalog #:	
Project :	
Type :	Date:
Notes:	

CCT Commercial LED SMD Downlight **CDLOJXL™ SERIES**

DESCRIPTION

6" and 8" CCT commercial LED downlight comes complete with an external driver in a junction box. Commercial grade quality with architectural design. Patent design, with unique appearance, easier for marketing. Available in white, nickel and black. Scratch resistant and smooth finish.

APPLICATIONS

Designed to replace with most existing 4-1/2" - 5" aperture architectural incandescent, fluorescent and metal halide housings.



QUICK SHIP:
TL-CDLOJXL-6-25W-CCT-XX
TL-CDLOJXL-8-25W-CCT-XX



Specification Features

Controls / Dimming

Isolated LED Driver. 100-277V AC perfect dimming of Triac Dimming. Suited for damp locations. Beam angle is 110°.

Warranty

5 Years Limited Warranty. See warranty documentation for more information. Life hours 50,000 hours

Certification

It complies with ETL, cETL certification, Energy Star rated.

Installation / Mounting

Junction box included, install directly in Insulated Ceilings (IC) without any thermal housing.

Ordering Information Example: TL-CDLOJXL-6-25W-CCT-XX

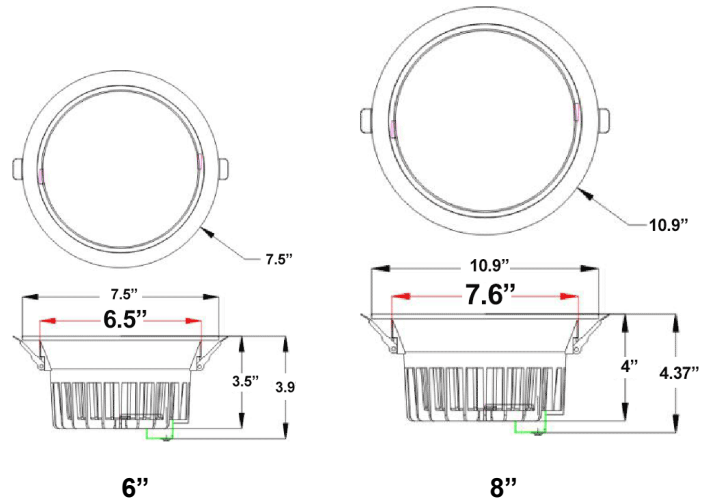
TL	CDLOJXL	6	25W	30K	[CRI]
Brand	Series	Diameter	Nominal Wattage	Color Temp	Diffuser Type
TL TechnoLED	CDLOJXL Commercial Downlight	6 6 Inch 8 8 Inch	6-inch 25W 8-inch 25W	3CCT { 3000K 4000K 5000K	[CRI] 90+



Lighting Parameters

Input Power	25W
Input Voltage	AC100-277V
CCT	3000K / 4000K / 5000K
CRI	>90
Lumens	1750lm/2000lm
Frequency	50/60hz
Beam angle	110°
Luminous efficacy	70lm/w / 80lm/w
PF	0.95
IP Rating	IP20
Life hours	50,000 hrs

Product Dimension



Other Features:

- Plenum & Type IC Rated: No housing Required
- Fast & Easy Installation: Save labor cost
- Body: Durable, die cast aluminum alloy & heavy gauge aluminum reflector allows heat dissipation
- LEDs: LM80 San'an 2835 LED (0.5W/pc), which guaranteed high lumen and high quality
- Other options: 15W | 1015 lm | 90 lm/w available.

Part Number	L	W	H
TL-CDL0JXL-6-25W	7.5 in	7.5 in	3.9 in
TL-CDL0JXL-8-25W	8.9 in	8.9 in	4.3 in

Compatible Triac Dimmers:

- Lutron: CTCL-153P / DVCL-153P / S-600P / SLV-600P / CN-600P
- Leviton: 6674 / 6672

Product Information

Model	Size	Power	Dimension	Color	System Lumens	Efficiency (Lm/W)
TL-CDL0JXL-6-25W	6 in	25W	7.5"x7.5"x3.9"	3000K / 4000K / 5000K	1750 lm	70lm/w
TL-CDL0JXL-8-25W	8 in	25W	8.9"x8.9"x4.3"	3000K / 4000K / 5000K	2000 lm	80lm/w

Photometric Data

8" Commercial LED JXL 25W 30W 40K

