

# LEHMAN LED

Architectural Indoor



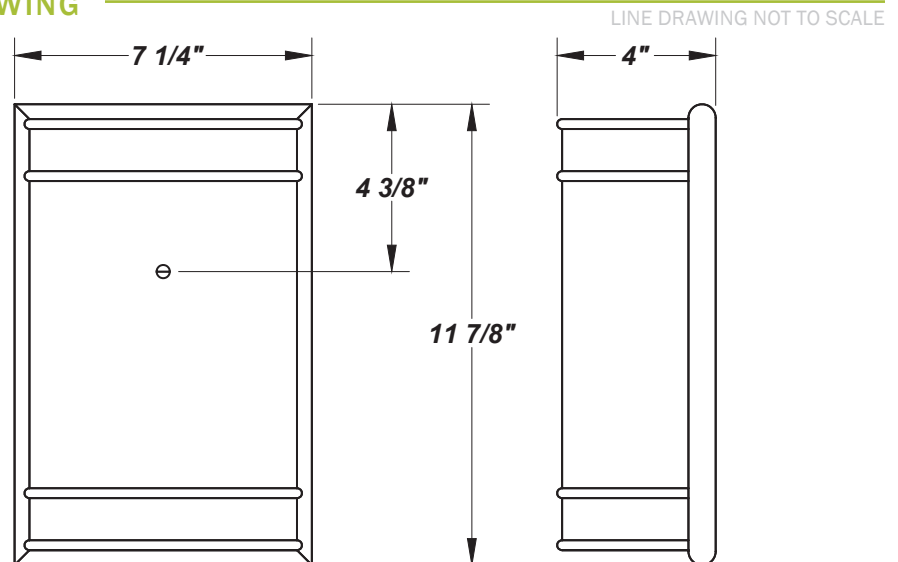
PROJECT:	
TYPE:	
PO#:	QTY:
COMMENTS:	



## FEATURES

- Steel Mounting Pan w/ Hi-Reflectance White Powder Coat Finish
- White Acrylic Lens w/ Matte Chrome Resin Trim Accents
- Open Top & Bottom
- Mounts Directly to 4" Junction Box (By Others)
- 120V 350mA Drivers Are Dimmable
- 277V 350mA Drivers Are Not Dimmable
- CSA Listed Dry Location
- Dimmable to <5%, Dimmable With Either Triac or Electronic Dimmers
- Over-Current, Over-Voltage, and Short Circuit Protection
- Constant Current at 350 Milliamps
- UL Class 2 Driver - Power Factor >.90
- Estimated 50,000 Hours Life (L70)
- ADA Compliant
- CSA Listed Dry Location For Wall Mounting
- LED Light Fixture
- Mounting Hardware Included

## LINE DRAWING



## FINISHES

For RAL Colors  
& Custom  
Match -  
Contact Teron  
Lighting Inc.

# LEHMAN LED

Architectural Indoor



Fixture Core

PROJECT:	
TYPE:	
PO#:	QTY:
COMMENTS:	

PRODUCT CODE	SOURCE/WATTAGE	VOLTAGE	DIMMING DRIVER
LN - Lehman	<b>L12.5-LT350</b> - 12.5W @ 350mA Constant Current <b>L17.0-LT500</b> - 17.0W @ 500mA Constant Current <b>L17.0-ZE500</b> - 17.0W @ 500mA Constant Current	<b>120 - 277V</b> (50 / 60Hz)	<b>Not Applicable</b>
ORDER INFO			
LN Example ^	L12.5-LT350	120 - 277V	Not Applicable

Aesthetics & Options

TRIM	FINISH	COLOR TEMP	OPTIONS
<b>Not Applicable</b>	<b>Not Applicable</b>	<b>30K</b> - 3000K Color Temp <b>35K</b> - 3500K Color Temp <b>40K</b> - 4000K Color Temp	<b>F</b> - Fused
ORDER INFO			
Not Applicable Example ^	Not Applicable	30K	F

PROD	SOURCE	30K SPECS			
LN	L12.5	<ul style="list-style-type: none"> <li>80 CRI Typ.</li> <li>1195 LED Source Lumens</li> <li>95.6 LED Source Lumens Per Watt</li> </ul>			
	L17.0	<ul style="list-style-type: none"> <li>80 CRI Typ.</li> <li>2305 LED Source Lumens</li> <li>135.6 LED Source Lumens Per Watt</li> </ul>			

REPLACEMENT PART	PART NO	NOTES
White Acrylic Lens w/ Matte Chrome Trim	3070767	Don't see the configuration you are looking for? Call us today at (513) 858-6004



**TERONLIGHTING.COM**  
 33 DONALD DR, FAIRFIELD, OH 45014  
 P: 513.858.6004 F: 513.858.6038  
 E: SALES@TERONLIGHT.COM



We reserve the right to revise the design components of any product due to parts availability or change in UL standards, without assuming any obligation or liability to modify any products previously manufactured, and without notice.