

Catalog #:	
Project :	
Type :	Date:
Notes:	

LED Square/Round Commercial Down Light

TL-CDL1MAX™ SERIES

DESCRIPTION

Broad applicability Commercial Downlight for New Construction or retrofit. Modular design square & round trim and color changeable trims. Spring-clips included for new construction.

APPLICATIONS

Ideal for lighting malls, hospitals, hotels, and retail spaces. Replaces CFL & HID or Incandescent downlights.



QUICK SHIP:

TL-CDL1MAX-6-18W-RD-SLV
TL-CDL1MAX-8-25W-RD-SLV
TL-CDL1MAX-6-18W-RD-WHT
TL-CDL1MAX-8-25W-RD-WHT



Specification Features

Controls / Dimming

High quality isolated driver; Triac Dimming; Flicker free. Frosted Lens and Non-IC, and rated for damp locations. Beam angle is 85°.

Warranty

5 Years Limited Warranty. See warranty documentation for more information.

Certification

It complies with ETL & cETL certification, Energy Star Rated, and FCC. Title 24 Compliant.

Installation / Mounting

LED recessed downlight retrofit is supplied with a quick connect-case and conduit to make an easy connection to an existing recessed fixture frame junction box. Beam angle is 85°. Instant start w/NO humming.

Ordering Information

Example: TL-CDL1MAX-6-18W-50K-RD-WHT

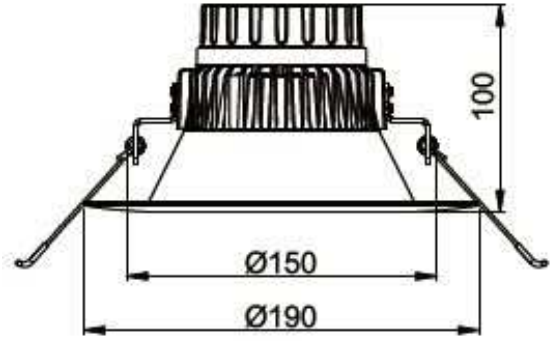
TL	CDL1MAX	6	18W	50K	RD
Brand	Series	Diameter	Nominal Wattage	Color Temp	Trim Shape
TechnoLED	CDL1MAX Commercial Downlight Retrofit	6 6 Inch	10W 10 Watt	30K 3000K	RD Round
		8 8 Inch	18W 18 Watt	40K 4000K	SQ Square
SLV					
Trim Color Optional (Square Trim only available for 6 inch housing)					
		SLV Silver			
		WHT White			
		BLK Black			
		BNZ Bronze			



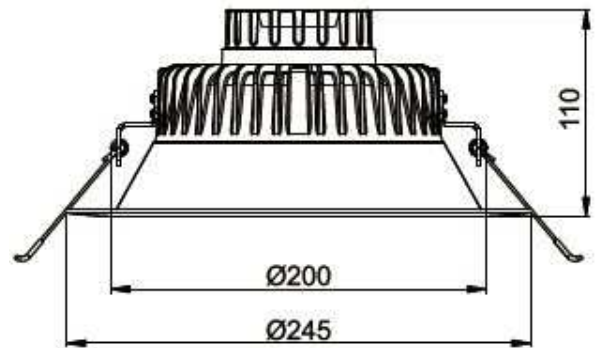
Lighting Parameters

Input Voltage	AC100-277V
CCT	3000K / 4000K / 5000K
CRI	Ra>80
Luminous efficacy	75lm/w
PF	0.90
Driver Efficiency	80%
THD	≤ 20%
Working temperature	-4°F~104°F
Storage temperature	-22°F~140°F
IP Rating	IP20

Product Dimension



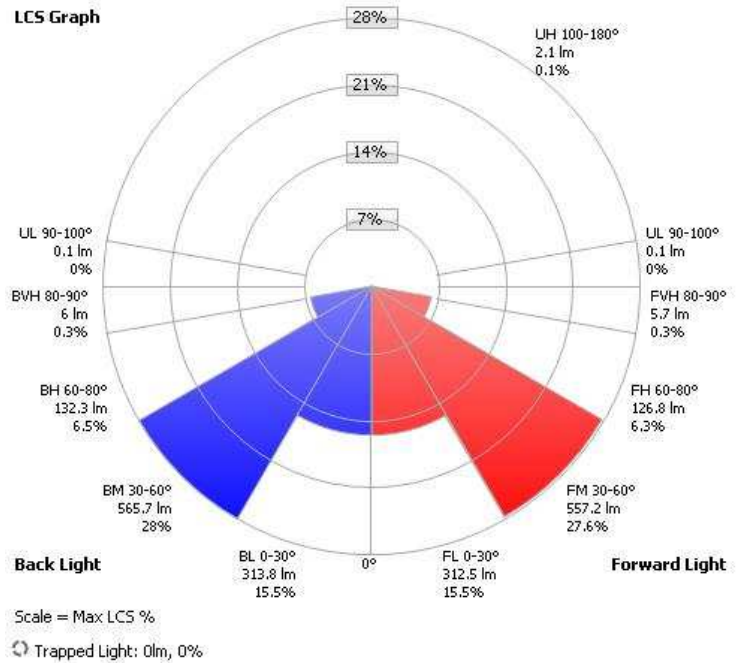
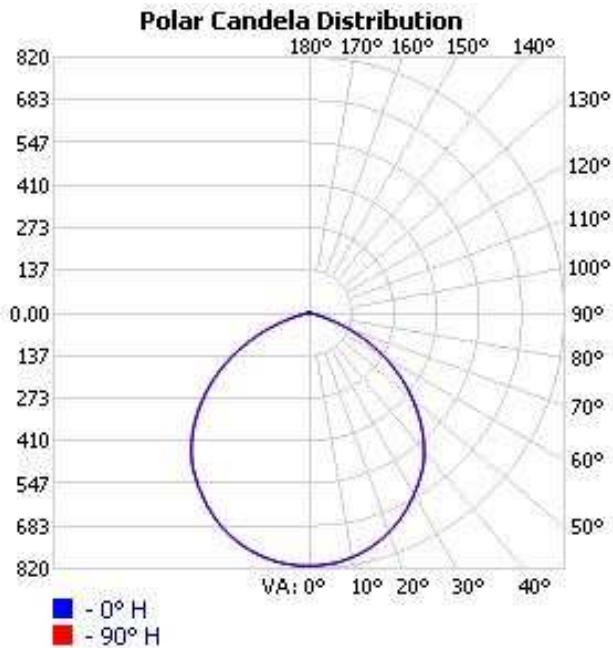
6 inch product



8 inch product

Part Number	L	W	H
TL-CDL1MAX-6"	7.48"	5.90"	3.93"
TL-CDL1MAX-8"	9.64"	7.87"	4.33"

Photometric data



Installation Instructions

For retrofit, please operate as below full steps; For new construction, pls start from Step 3:

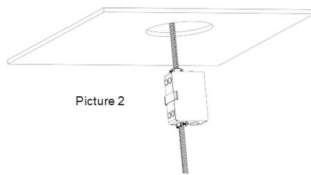
Step 1: Before installing the luminaires, please ensure that the power supply is cut off;

Step 2: Pull out the old luminaires from the ceiling, as picture 1;

Step 3: Pull out the old luminaires and it's junction box from the aperture (If for new construction, please draw and open hole on the ceiling according to the dimensions drawing);



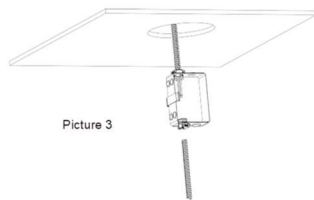
Picture 1



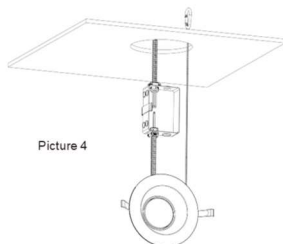
Picture 2

Step 4: Disassemble the junction box cover, remove the wiring, and loosen the metal hose connector and remove the old luminaires, as picture 3;

Step 5: Buckle well the safety cord of the new luminaires on the ceiling, insert the new luminaires' metal hose into the hose connector and lock the screw tightly (If for new construction, please insert the metal hose's connector of the new luminaires into the corresponding hole of the junction box directly); then screw the wire together with the wiring cap (the black line of the luminaires connect to hot line, the white line of the luminaires connect to the neutral line, yellow green line connect to ground line);

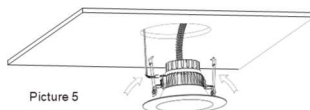


Picture 3



Picture 4

Step 6: Use your hand to straighten the spring in the direction of the arrowhead, insert the luminaire into the mounting hole to the ceiling, and hide the safety line behind the luminaire, as picture 5;

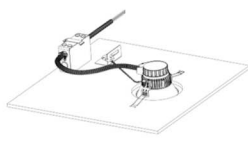


Picture 5

Step 7: After installation, the front & back effect picture as picture 6 & 7 (The two pictures are effect pictures only)



Picture 6



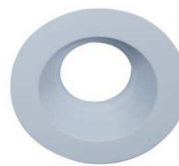
Picture 7

Step 8: The wiring of the dimmer can be wired according to the selected dimmer brand manual.

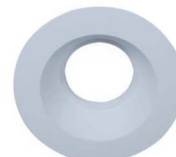
Options

- **Dimming :**
Dimmable up to 5% with most Lutron and Leviton dimmers.

- **Trim Options :**



Baffle trim



Smooth trim



Clear Anodized metal reflector

- **Modular design - trim color optional :**



Modular
White
Black
Bronze
Golden
Brushed Nickel



Modular
White
Black
Bronze
Golden
Brushed Nickel

Warning :

1. If the luminaire is not working, please send it back to the distributor for processing, It is forbidden to carry out the disassembling and maintenance for the luminaires privately so as to avoid safety accidents;
2. The luminaire should be operated and installed by a qualified electrician and installed as this manual.
3. During installation, do not cover any thermal insulation material on the product, and it's forbidden to use inflammable material around the product.
4. Use for Damp location; working temperature: -40~50°C

Product and Packing Information

Model	Outer Carton Size (L×W×H)	Qty/Carton (pcs.)	N.W./Ctn. (lbs.)	G.W./Ctn. (lbs.)
TL-CDL1MAX-6	20.47" x 17.71" x 18.11"	12 pcs.	15.84 lbs.	25.6 lbs.
TL-CDL1MAX-8	22.87" x 11.61" x 19.09"	6 pcs.	11.22 lbs.	21.3 lbs.

Model	Description	Input Watts	Delivered Lumens	Universal Voltage (VAC)	Line Current (Amp)@ 120 - 277	THD	Power Factor	Weight
TL-CDL1MAX-6-10W	Commercial Downlight (6 Inch)	10	750	120-277	0.12 - 0.05	≤20%	>0.9	1.32 lbs.
TL-CDL1MAX-6-18W	Commercial Downlight (6 Inch)	18	1,440	120-277	0.12 - 0.05	≤20%	>0.9	1.32 lbs.
TL-CDL1MAX-8-18W	Commercial Downlight (8 Inch)	18	1,440	120-277	0.17 - 0.07	≤20%	>0.9	1.87 lbs.
TL-CDL1MAX-8-25W	Commercial Downlight (8 Inch)	25	2,000	120-277	0.24 - 0.1	≤20%	>0.9	1.87 lbs.

Techno USA LLC

dba Techno LED Lights.

2763 Meadow Church Road, Suite 140, Duluth, GA-30097.

Phone: 678-456-4810 | Fax: 678-456-4810 | Toll Free: 1 844-552-8272

sales@technoledlights.com | www.technoledlights.com



© 2018 Techno USA LLC. All rights reserved. Techno LED Lights reserves the right to make changes to specifications and/or discontinue any product at anytime without the notice . Information presented in this document is reliable and accurate. It does not represent any quotation or contract. No liability will be accepted by the contributor by the publisher for any consequences for its use. Reproduction in whole or part is prohibited without prior consent of the copyright owner. TL_CD1MAX_SS_V1 Oct-18