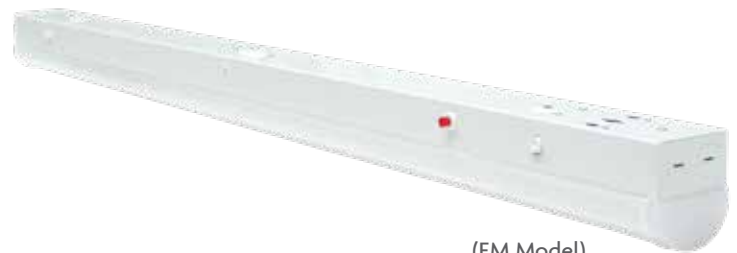


LED Linear Strips

CCT SELECTABLE



(Standard Model)



(EM Model)

CCT Selectable Linear Strip for Commercial Applications

LED Linear Strip luminaires are one of Topaz's most adaptable products, finding their way into healthcare facilities, offices and retail applications to name just a few. Adding to their versatility, our CCT Selectable models allow the choice of 3 color temperatures to be selected upon installation, matching a variety of environments or applications. Motion sensor models come pre-programmed and will be suitable for most environments but can be adjusted to cover various scenarios. Emergency battery backup models are also available and provide up to 90 minutes of illumination in the event of a power outage.



FEATURES

- 3 CCT Selectable switch: 3500K, 4000K, 5000K
- Press to release buttons allow for quick tool-less access to the wiring compartment
- Models include (2) ½" knockouts on each side panel
- Designed for surface mount with the included J-box cover plate
- End-to-end mounting and suspension mount kits sold separately
- Suitable for mounting up to 15'
- Emergency battery backup and motion sensor models available

SUGGESTED APPLICATIONS

- Ideal for use in new construction or remodeling of commercial facilities.
- Offices, healthcare facilities, educational institutions, and retail
- Suitable for use in closets, compliant with NFPA 70, NEC section 410.16 (A)(3) and 410.16 (C)(5)

LED Linear Strips

CCT SELECTABLE

GENERAL SPECIFICATIONS

Input Voltage, Frequency: 120-277V, 50/60Hz
Power Factor, THD %: <0.9, >20%
Dimmable: 0-10V¹
Efficacy: 140 LPW
Minimum CRI: 84
Functional Life (L70): 50,000 hours
CCT: 3500K | 4000K | 5000K

Location Rating: Damp
Ambient Operating Temperature: -4°F to 104°F
Mounting Options: Surface mount ready; End-to-end mounting and suspension mount options sold separately
Quick connectors, mounting hardware and 8-inch steel safety cable included



Choose your desired color temperature!

ITEM SPECIFICATIONS / ORDER INFO

Catalog Number	Order Code	UPC	Lumens ²	Wattage	Input Current @120/277	Beam Angle	Size	Linear Ambient DLC ID ⁺	Low Bay DLC ID ⁺⁺
F-L2/20W/CTS/D-87	72709	751338039407	2,800	20W	0.183/0.079A	120°	2'	PL16VVAJB8MQ	-
F-L4/40W/CTS/D-87	71104	751338036741	5,600	40W	0.367/0.159A	120°	4'	PL43G1RO25XA	PLUXJ9IPD3OP
F-L4/40W/CTS/EM-87	71105	751338036758	5,600	40W	0.367/0.159A	120°	4'	PL43G1RO25XA	PLUXJ9IPD3OP
F-L4/40W/CTS/MS-87	71106	751338036765	5,600	40W	0.367/0.159A	120°	4'	PL43G1RO25XA	PLUXJ9IPD3OP
F-L8/64W/CTS/D-87	71107	751338036772	8,960	64W	0.587/0.254A	120°	8'	PLJWIGSJIKMO	PLXIIRF2FJJZ
F-L8/64W/CTS/EM-87	71108	751338036789	8,960	64W	0.587/0.254A	120°	8'	PLJWIGSJIKMO	PLXIIRF2FJJZ
F-L8/64W/CTS/MS-87	71109	751338036796	8,960	64W	0.587/0.254A	120°	8'	PLJWIGSJIKMO	PLXIIRF2FJJZ

NOMENCLATURE

Example: **L2/20W/CTS/D-87**

F=Fixture / **L2** = LED Linear 2' / **20W** = 20W / **CTS** = Color Temperature Selectable / **D** = Dimmable
 / **L4** = LED Linear 4' / **40W** = 40W / **EM** = Emergency Battery Backup
 / **L8** = LED Linear 8' / **64W** = 64W / **MS** = Motion Sensor

ACCESSORIES (SOLD SEPARATELY)

Catalog Number	Order Code	UPC	Description
F-L4/CABLE/CTS-87	71110	751338036802	4-Ft Suspended Mount Cable Kit - Includes (2) cables and mounting hardware
F-L8/CABLE/CTS-87	71111	751338036819	8-Ft Suspended Mount Cable Kit - Includes (4) cables and mounting hardware
F-LS/COUPLER-87	71112	751338036826	End-to-End Connector Kit
*BEL4W-UNV	72764	847098046301	LED Emergency Driver

ENERGY SAVINGS

Catalog Number	LED Wattage	Fluorescent Replacement Wattage	Watts Saved	Yearly Savings	5 Year Savings
Based on 12 hours/day and \$0.11/kWh					
F-L2/20W/CTS/D-87	20W	1x 32W T8	12W	\$6	\$29
F-L4/xxW/CTS/xx-87	40W	2x 32W T8	64W	\$12	\$58
F-L8/xxW/CTS/xx-87	64W	F96 T12 (110W)	46W	\$22	\$111

NOTES:

^{*}LED Emergency Driver compatible only with: F-L2/20W/CTS/D-87, F-L4/40W/CTS/D-87, F-L4/40W/CTS/MS-87, F-L8/64W/CTS/D-87 and F-L8/64W/CTS/MS-87.

⁺DLC Primary Use Designation: Direct Linear Ambient Luminaires

⁺⁺DLC Primary Use Designation: Low-Bay Luminaires for Commercial and Industrial Buildings

¹Motion Sensor models are not dimmable via 0-10, it can be set to auto dim via motion sensor. Dimming with standard 0-10V control system or wall dimmers such as Leviton IP710, DS710 or Lutron DVSTV. Dimming complies with IEC60929 Annex E. Fixture may not be compatible with all dimmers. Visit www.topaz-usa.com for up-to-date dimmer compatibility information.

²Lumens at 4000K

Specifications subject to change without prior notice.

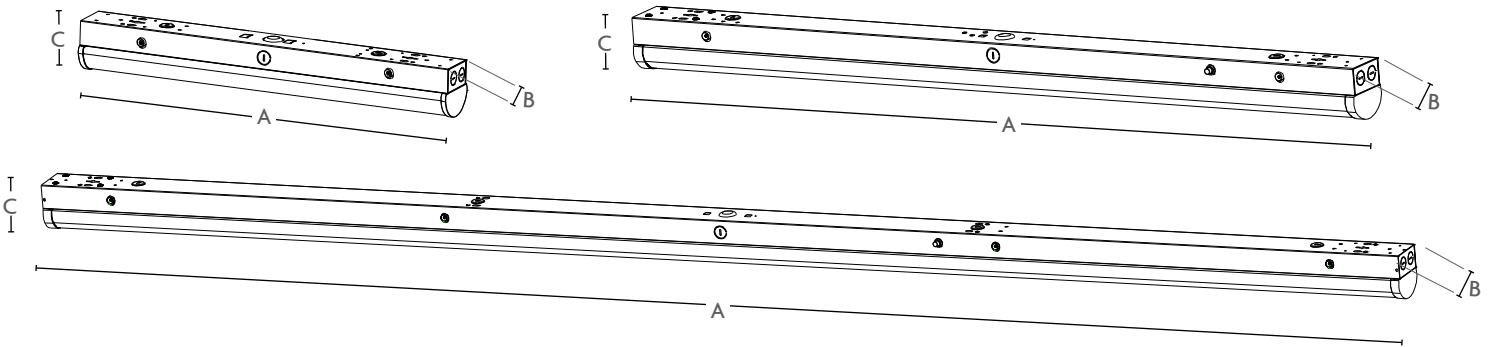
This device complies with Part 15 of the FCC Rules. Operation is subject to the following two conditions: (1) this device may not cause harmful interference, and (2) this device must accept any interference received, including interference that may cause undesired operation.

LED Linear Strips

CCT SELECTABLE

DIMENSIONS / WEIGHTS

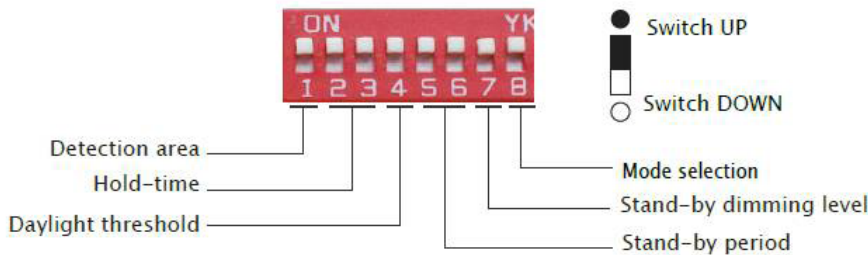
Catalog Number	(A)	(B)	(C)	Weight
F-L2/20W/CTS/D-87	23.97"	2.95"	3.26"	2.4 Lbs.
F-L4/40W/CTS/D-87	48.03"	2.95"	3.26"	3.8 Lbs.
F-L4/40W/CTS/EM-87	48.03"	2.95"	3.26"	4.9 Lbs.
F-L4/40W/CTS/MS-87	48.03"	2.95"	3.26"	4.0 Lbs.
F-L8/64W/CTS/D-87	95.98"	2.95"	3.26"	7.2 Lbs.
F-L8/64W/CTS/EM-87	95.98"	2.95"	3.26"	8.4 Lbs.
F-L8/64W/CTS/MS-87	95.98"	2.95"	3.26"	7.5 Lbs.



Models include (2) 1/2" knockouts on each side panel

MOTION SENSOR PRE-PROGRAMMED SETTINGS

Detection Area	Hold Time	Daylight Threshold	Stand-by Period	Stand-by Dimming Level	Mode Selection
100%	5 Minutes	Disable	0 Second	10%	On



Detection area
 Sets the size of the detection area. **Default = 100%**

<input checked="" type="radio"/>	100%
<input type="radio"/>	50%

Stand-by period
 The time period that the fixture will remain at the standby level before turning off. The standby period starts after the hold period. **Default = 0 Second**

<input checked="" type="radio"/>	0s
<input type="radio"/>	1min
<input type="radio"/>	5min
<input type="radio"/>	+ ∞

Hold-time
 The time period that the fixture will remain at full after motion is no longer detected. **Default = 5 Min**

<input checked="" type="radio"/>	<input checked="" type="radio"/>	30s
<input checked="" type="radio"/>	<input type="radio"/>	1min
<input type="radio"/>	<input checked="" type="radio"/>	2min
<input type="radio"/>	<input type="radio"/>	5min

Stand-by dimming level
 The light level that the fixture goes to after the hold time is complete. **Default = 10%**

<input checked="" type="radio"/>	10%
<input type="radio"/>	30%

Daylight threshold
 The light level above which the fixture will turn off and stay off regardless of motion. Typically, only used in outdoor or other locations with substantial natural light. **Default = Disable**

<input checked="" type="radio"/>	Disable
<input type="radio"/>	50lux

Mode selection
 The setting to enable or disable the sensor. **Mode Selection = On**

<input checked="" type="radio"/>	ON
<input type="radio"/>	OFF