

Linear LED T8 DUAL MODE



Significant Energy Savings and Seamless Light Distribution

Topaz's Dual Mode LED T8 tubes offer maximum flexibility by simplifying the choice of an LED tube for retrofit or new construction. These direct replacement plug-and-play lamps are compatible with instant start electronic ballasts, with the option to bypass the ballast for additional energy savings. The dual mode tubes are offered in two, three and four foot lengths for replacement of 17, 25 or 32 watt fluorescent T8 lamps.

FEATURES

- Dual-mode, works with or without ballast
- Compatible with instant start ballasts, Type A
- Single-end bypass, Type B*
- Dimmable when used with dimming ballast
- Significant energy savings versus traditional fluorescents; functional life of 50,000 hours reduces maintenance costs
- Seamless, end-to-end 240° light emitting area and frosted finish for smooth appearance
- Glass tube construction

SUGGESTED APPLICATIONS

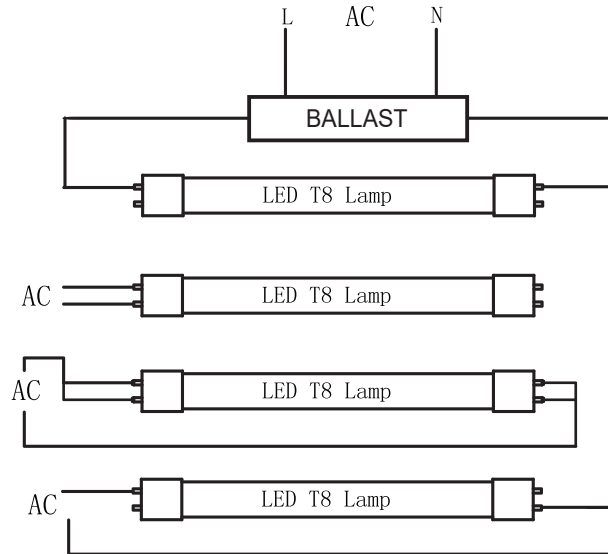
- Improved efficiency for commercial and industrial overhead lighting
- Recommended for use in educational facilities, offices, conference rooms and hallways
- Suitable for use in enclosed fixtures



Linear LED T8 DUAL MODE

GENERAL SPECIFICATIONS

Input Voltage, Frequency: 120-277V, 50/60 Hz
Functional Life (L70): 50,000 Hours
Power Factor, THD %: 0.9, <20%
Beam Angle: 160° with 240° Light Emitting Area
CRI: 80
Ambient Operating Temperature: -4°F to 113°F
Base: G13 Medium Bi-pin



ITEM SPECIFICATIONS / ORDER INFO

Catalog Number	Order Code	UPC	CCT	Wattage	System Wattage	Lumens	Lamp LPW	System LPW	MOL	Fluorescent Replacement Wattage	DLC ID	PK QTY
L2T8D/835/10/F-70	77281	751338032385	3500K	10W	12W	1,425	143	119	24"	2-FT 17W T8	PLF3ZK6251GN	1/12
L2T8D/840/10/F-70	77282	751338032378	4000K	10W	12W	1,450	145	121	24"	2-FT 17W T8	PLMTRPWBV38Y	1/12
L2T8D/850/10/F-70	77283	751338032392	5000K	10W	12W	1,450	145	121	24"	2-FT 17W T8	PLFLGJ1WGRMK	1/12
L3T8D/835/12/F-70	77197	751338033108	3500K	12W	14W	1,675	140	120	36"	3-FT 25W T8	PLQ831EG558Q	1/12
L3T8D/840/12/F-70	77198	751338033115	4000K	12W	14W	1,700	142	121	36"	3-FT 25W T8	PLA4SMR1FBIZ	1/12
L3T8D/850/12/F-70	77199	751338033122	5000K	12W	14W	1,700	142	121	36"	3-FT 25W T8	PLZL4BTYX1AS	1/12
L4T8D/835/12/F-70	77286	751338032408	3500K	12.5W	14.5W	1,775	136	117	48"	4-FT 32W T8	PLR22ANMLC40	1/12
L4T8D/840/12/F-70	77287	751338032415	4000K	12.5W	14.5W	1,800	140	121	48"	4-FT 32W T8	PL601WE0YH17	1/12
L4T8D/850/12/F-70	77288	751338032422	5000K	12.5W	14.5W	1,800	144	124	48"	4-FT 32W T8	PLVNDTY0KFJH	1/12
L4T8D/860/12/F-70	77289	751338032439	6000K	12.5W	14.5W	1,800	144	124	48"	4-FT 32W T8	-	1/12

NOMENCLATURE

Example: L2T8D/835/10/F
L2T8D = LED 2 Ft T8 Dual Mode / **835** = 3500K CCT / **10** = 10W / **F** = Frosted
L4T8D = LED 4 Ft T8 Dual Mode / **840** = 4000K CCT / **12** = 12W
 / **850** = 5000K CCT
 / **860** = 6000K CCT

ENERGY SAVINGS

	LED Wattage	Fluorescent Replacement Equivalent	Watts Saved	Yearly Savings	5 Year Savings
Based on 12 hours/day and \$0.11/kWh					
L2T8D/8XX/10/F-70	10W	17W	7W	\$2.81	\$14.05
L3T8D/8XX/12/F-70	12W	25W	13W	\$5.22	\$26.10
L4T8D/8XX/12/F-70	12.5W	32W	19W	\$7.63	\$38.15

NOTES:

*Bypass Type B operation requires non-shunted lampholders

This device complies with Part 15 of the FCC Rules. Operation is subject to the following two conditions: (1) this device may not cause harmful interference, and (2) this device must accept any interference received, including interference that may cause undesired operation. Fixture may not be compatible with all dimmers. Visit www.topaz-usa.com/led-dimmer-compatibility. for up-to-date dimmer compatibility information. Specifications subject to change without notice.

Some commercially available fixtures are sold with pre-installed ballasts. Compatibility lists represents an attempt to evaluate the compatibility of TOPAZ (ballast compatible, Type A LED tubes) with some of these ballasts. While each ballast model listed has been tested, some may have undergone changes that may affect operating parameters and impact lamp performance. Compatibility may also extend to ballast beyond this list, so performing an on-site test before installation is recommended. Contact a TOPAZ sales representative if the ballast to be used to operate the lamp is not listed in the table. Information is subject to change without notice. www.topaz-usa.com.

Revised February 2022