



ATG Electronics® UFO LED Highbay

USER GUIDE



NOTE

Please read this entire manual to fully understand and safely use this product.

Specifications are subject to change without notice. Please visit www.atgelectronics.com for the most recent user guide versions.

INCLUDED IN THIS BOX

ATG Electronics® UFO LED Highbay, 1 PCs

User Guide, 1 Set

UNPACKING

- 1) Unpack and carefully examine the product.
- 2) Report any damage and save all packing materials if any part(s) were damaged during shipping.
- 3) Do not attempt to use this apparatus if it is damaged.

INSTALLATION INSTRUCTIONS

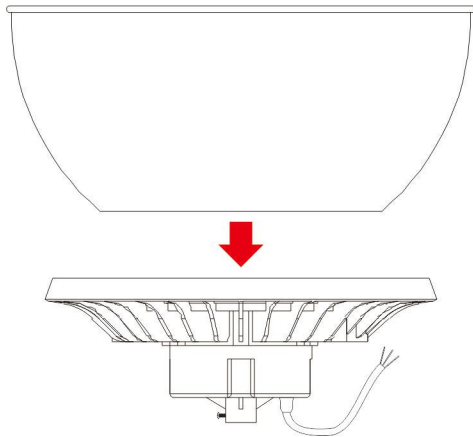
- 1) CONSULT A QUALIFIED ELECTRICIAN TO ENSURE CORRECT BRANCH CIRCUIT CONDUCTOR.
- 2) The product should be installed and operated by a qualified electrician or technician in accordance with relevant local codes.
- 3) Risk of electric shock. Ensure that main power source is off when wiring or soldering the sections of the product.

MAINTENANCE

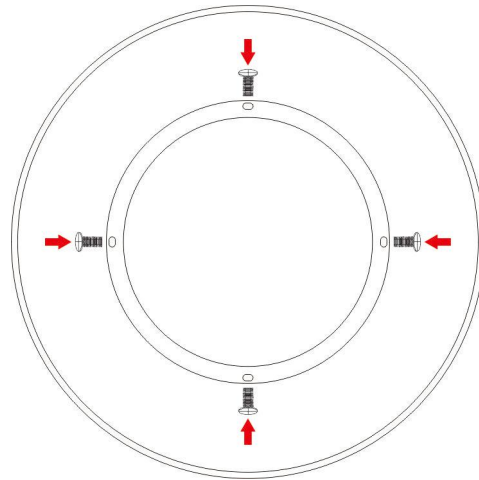
- 1) Disconnect the product from the power supply prior to cleaning.
- 2) Use a dry or slightly moistened cloth for cleaning.

INSTALLATION STEPS

1. Attach the housing (optional) to the highbay body.

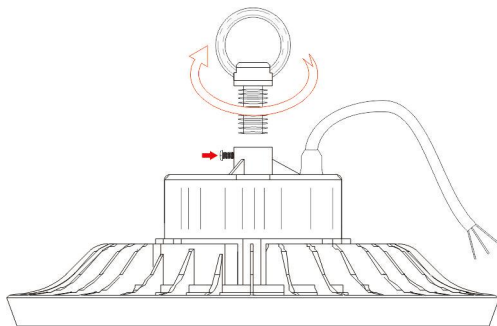


2. Tightly fix the housing on the highbay with screws.

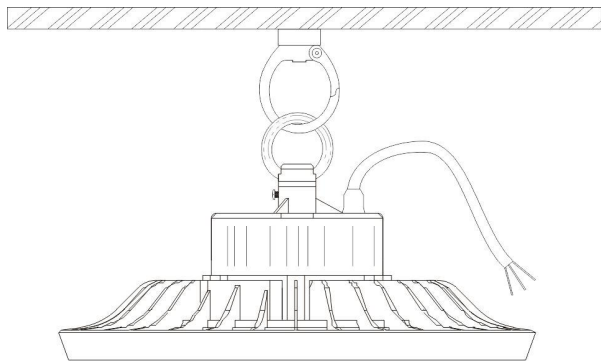


Aluminum Shroud is available at an extra charge.

3. Screw the hanging ring to the highbay and lock it with screw. (Make sure the hanging ring is properly tightened.)



4. Securely hang up the highbay to the hook from the ceiling.



5. Connect input and ground wires of the highbay to the main power outlet.

