

# VLT Series

## 2x2/2x4 LED Troffer

### FEATURES & SPECIFICATIONS

#### INTENDED USE

The VLT offers excellent luminaire - subtle soft direct elements, interest and depth across the ceiling plane - with a contemporary look that blends with today's commercial spaces.

The extruded acrylic lens with softening overlay provides a low brightness glow, with the effective combination of excellent light transmission and effective lamp obscuration.

#### APPLICATIONS

For recessed commercial applications such as offices, hospitals, schools, etc. Suitable for use in standard 15/16" inverted T-bar grid ceilings.

#### FEATURES

- High reflectance optical engine delivers main beam focus through the optically designed acrylic lens
- Linear ribbed acrylic lens with Lumieo overlay manages the balance of efficiency and aesthetics
- Reflector distributes light through both optical elements
- Linear arrayed LED modules provide soft, but effective illumination

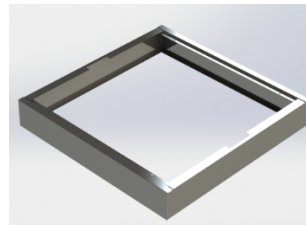
#### SPECIFICATIONS

#### HOUSING

Low Profile body with matte white sloped side members

#### DIFFUSER SURROUND

Linear ribbed acrylic lens with Lumieo



Shroud for surface mounted.

#### LUMINAIRE TYPE

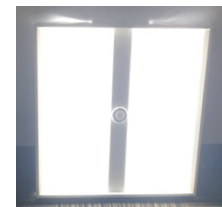
Recessed troffer fixture body assembly 2'x2' and 2'x4' size

### ORDERING INFORMATION

Example: VLT22LF24W2400LDMV40K

#### STANDARD

VLT	22L	F24W2400L	DMV	40K
<b>Series</b>	<b>Size</b>	<b>Wattage and Lumen</b>	<b>Driver</b>	<b>Color Temperature</b>
VLT LED Troffer	22L 2' x 2'	<b>F24W2600L</b> 24 System Watts, 2600 Delivered Lumens	<b>DMV</b> 0-10V Dimming *Field installed-Dimming Wire	<b>30K</b> 3000K
SSVLT LED Troffer Sensor - On/Off		<b>F28W3000L</b> 28 System Watts, 3000 Delivered Lumens	<b>DMVFID</b> 0-10V Dimming *Factory installed-Dimming Wire	<b>35K</b> 3500K
SDVLT LED Troffer Daylight Sensor	24L 2' x 4'	<b>F35W3650L</b> 35 System Watts, 3650 Delivered Lumens		<b>40K</b> 4000K
		<b>F48W5400L</b> 48 System Watts, 5400 Delivered Lumens		<b>50K</b> 5000K
		<b>F56W6050L</b> 56 System Watts, 6050 Delivered Lumens		



LED Troffer with Integrated Sensor

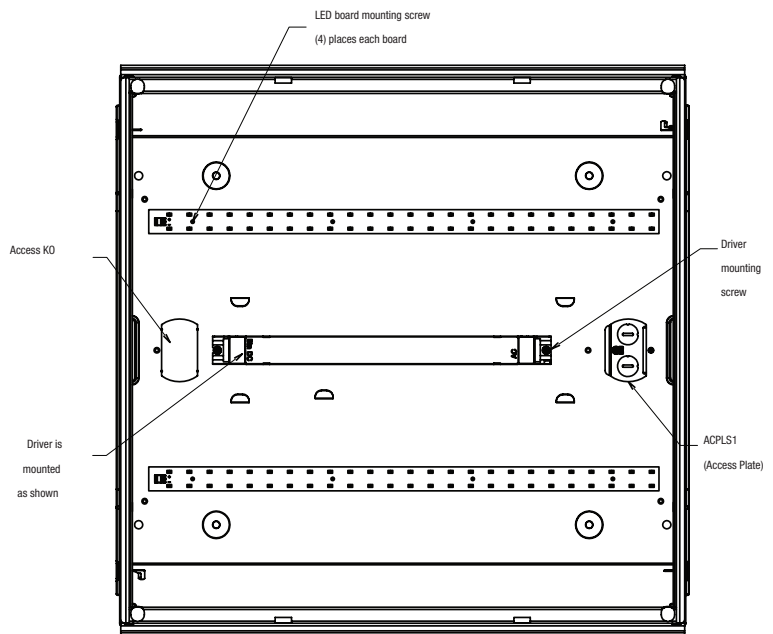
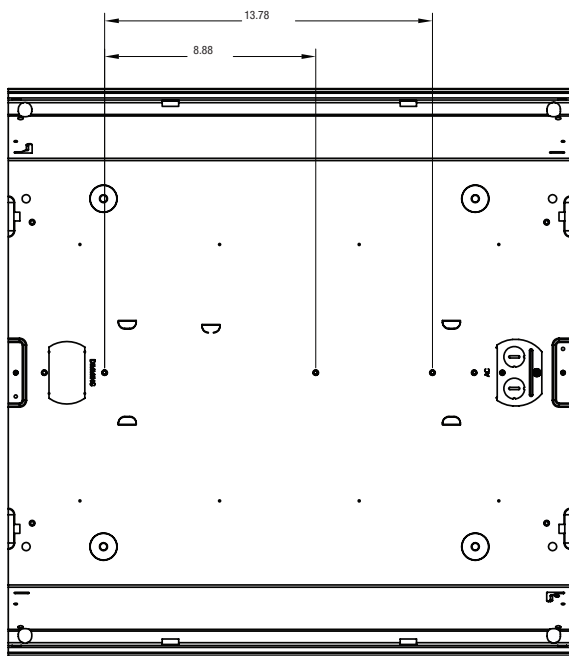
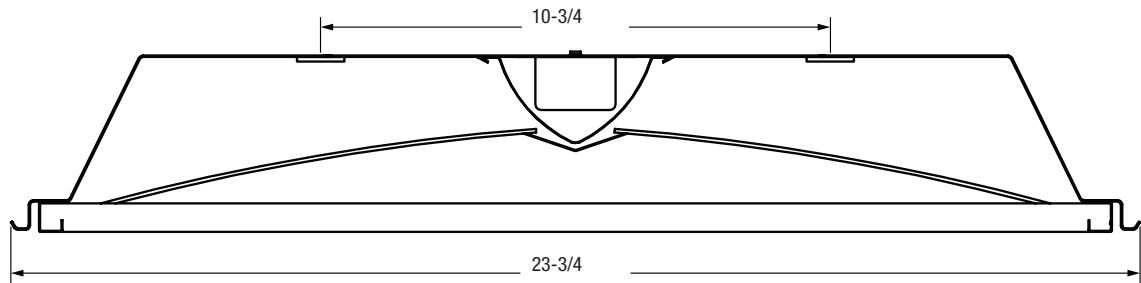
# VLT Series

2x2/2x4 LED/FLUOR

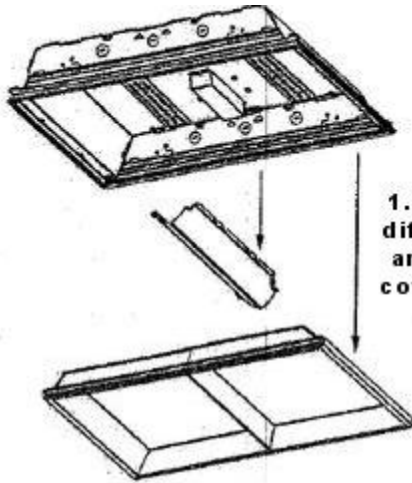


Texas Fluorecents  
Reinvented

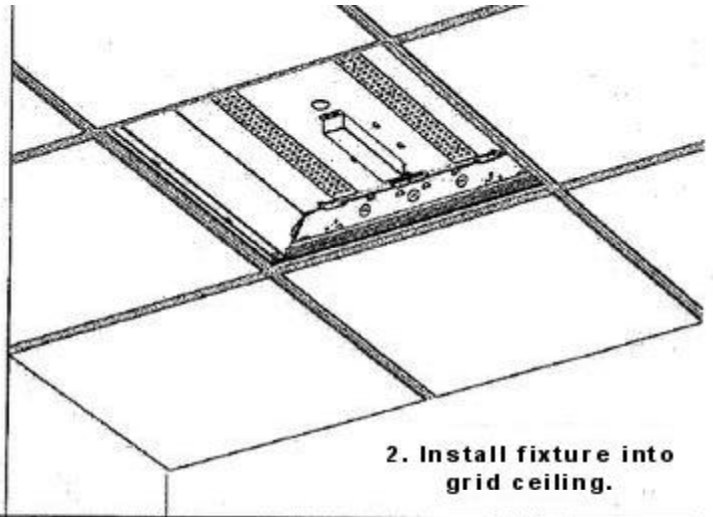
## END PROFILE



## LED Recessed 2' x 2' Troffer Installation Instructions

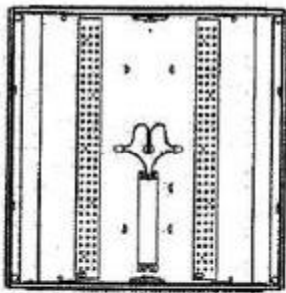


**1. Remove louver/  
diffuser assembly  
and center driver  
cover from fixture.**

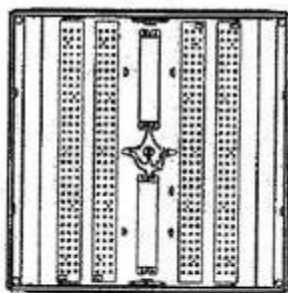


**2. Install fixture into  
grid ceiling.**

**Make sure power is turned off at the source  
to the troffer housing.**

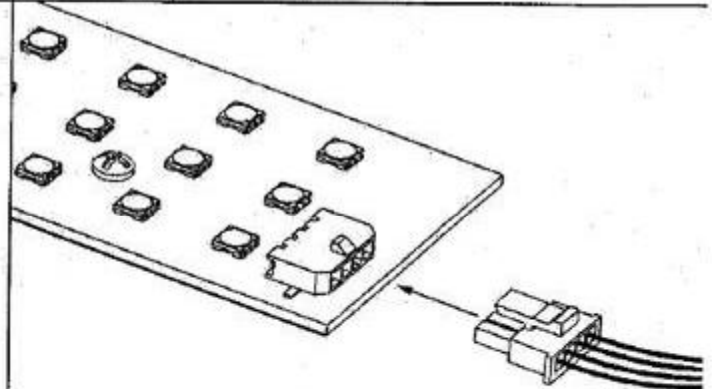


**2 boards**

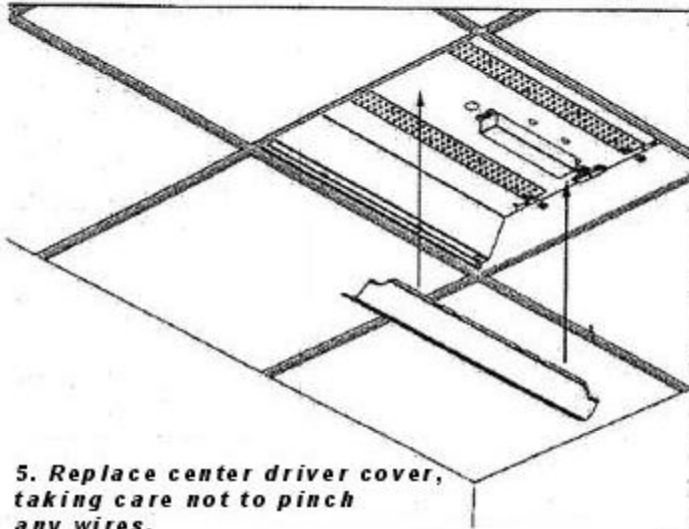


**4 boards**

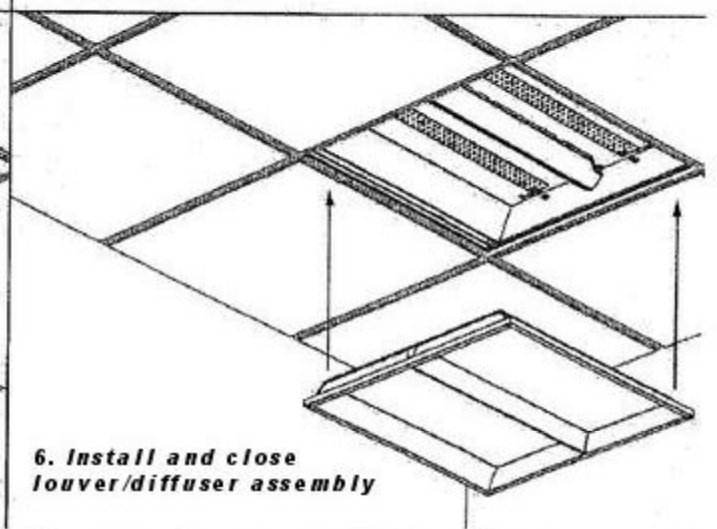
**3. Bring electric power cord in through back of  
fixture. Using wire nuts, connect cord leads to  
LED driver input wires (black/white). Driver  
can be connected to 120-277V AC input.**



**4. Ensure all microconnectors are attached  
to LED circuit boards.**



**5. Replace center driver cover,  
taking care not to pinch  
any wires.**



**6. Install and close  
louver/diffuser assembly**

**7. Restore power to fixture at fuse or circuit breaker.**