

PROJECT NAME:	
CATALOG NUMBER:	FIXTURE TYPE:
VOLTS/WATTS:	LAMPS/BOARD:



VOLUMETRIC TROFFER 2X2- 24W LED

RECESSED TROFFER

FEATURES

- Architectural Design
- Steel Housing
- White Powder Coat Finish
- 91% White Reflector
- Polycarbonate Frosted Lens
- 0-10V Dimmable Driver (100% - 10%)
- Universal Voltage
- DesignLights Consortium® Qualified



LED SYSTEM

Calculated L70 (TM-21)	>100K
Delivered Lumens	2,292 lm
Total Input Watts	24 W
Luminaire Efficacy Rating (LER)	96 lm/W
Correlated Color Temperature (CCT)	4000K
Color Rendering Index (CRI)	>80
Max Ambient Temp	110°F
Min Ambient Temp	-22°F
Universal Driver	120-277

LED System data above based on VOL22-24WLED-UNIV-40

SUITABLE APPLICATIONS

- Offices
- Hallways
- Multipurpose Rooms

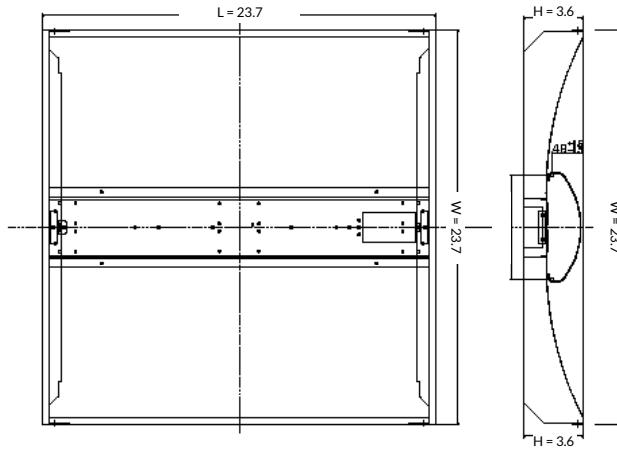


ORDERING GUIDE:

VOL22	24WLED	UNIV	40	eg: FLGK
Series	LED	Driver	Color	Options
<input type="checkbox"/> VOL22 2Troffer	<input type="checkbox"/> 24WLED	<input type="checkbox"/> UNIV 120-277	<input type="checkbox"/> 40	<input type="checkbox"/> ILBCP05 5W LED Field Installed Battery Backup <input type="checkbox"/> ILBCP07 7W LED Field Installed Battery Backup <input type="checkbox"/> ILBCP10 10W LED Field Installed Battery Backup <input type="checkbox"/> ILBCP12 12W LED Field Installed Battery Backup <input type="checkbox"/> FLGK Flange Kit

VOLUMETRIC TROFFER 2X2 - 24W LED

RECESSED TROFFER



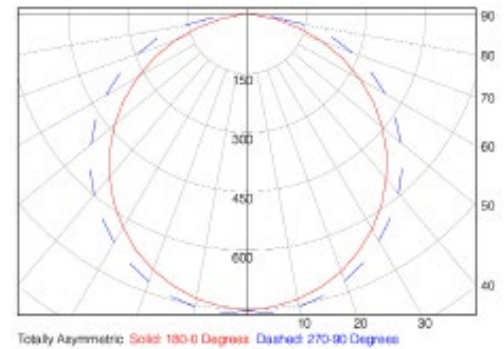
VOL22-24WLED-UNIV-40

LUMINAIRE OUTPUT = 2306 LM
120.0V 0.1973A 23.58W PF=0.996

SUMMARY DATA

HEMISPHERES TESTED:	BOTH
EFFICIENCY (Total):	99.9%
EFFICIENCY (Downlight):	99.8%
EFFICIENCY (Uplight)	0.2%
CIE CLASSIFICATION:	DIRECT
LUMENS/LAMP:	2306.787
NO. OF LAMPS:	1
LUMINOUS OPENING: RECTANGULAR	
WIDTH:	0.00(Meters)
Length:	0.00
Height:	0.00
INPUT WATTS:	22.62

PLANE AND CONE DIAGRAM



Totally Asymmetric: Solid: 180-0 Degree; Dashed: 270-90 Degree

Photometric values based upon tests performed in compliance with LM-79. IES files can be downloaded at www.ilp-inc.com

Industrial Lighting Products

LED ■ ■ ■ ■

lighting facts[®]

A Program of the U.S. DOE

Light Output (Lumens)	2299
Watts	23.39
Lumens per Watt (Efficacy)	98.32

Color Accuracy
Color Rendering Index (CRI) **84**

Light Color
Correlated Color Temperature (CCT) **4065 (Bright White)**

Warm White
Bright White
Daylight

2700K
3000K
4500K
6500K

All results are according to IESNA LM-79-2008: *Approved Method for the Electrical and Photometric Testing of Solid-State Lighting*. The U.S. Department of Energy (DOE) verifies product test data and results.

Visit www.lightingfacts.com for the Label Reference Guide.

Registration Number: -ZBWVEJ (7/15/2015)
 Model Number: VOL22-24WLED-UNIV-40
 Type: Luminaire - Troffer/Grid Ceiling