

Project Name:

Part Number:

Type:



# VPAN

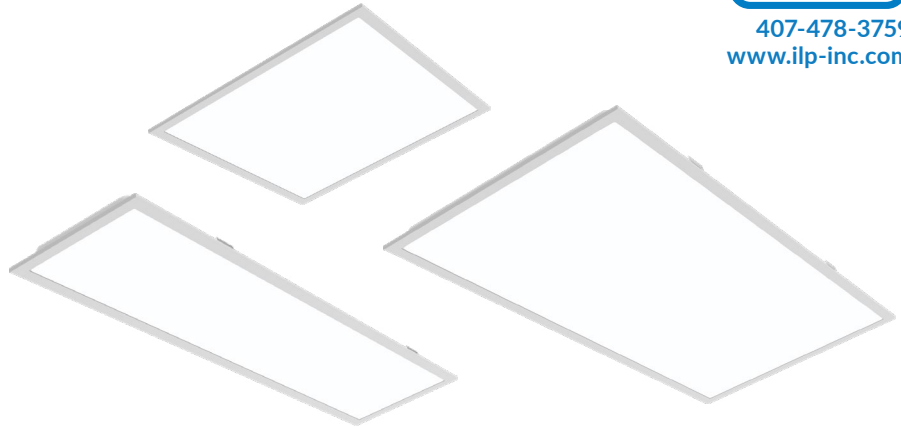
## Back-Lit Flat Panel



407-478-3759  
www.ilp-inc.com

### FEATURES

- Low Glare Smooth Uniform Illumination Back-Lit Panel
- Robust Die-Formed Housing with White Post-Paint Finish
- High Transmission PMMA Frosted lens
- Grid, Flange, Surface & Suspended Mounting Options
- 1x4, 2x2 & 2x4 Sizes
- Field Selectable or Factory Set Lumen Outputs
  - 2,700 to 7,000 Delivered Lumen Range
- 3500K & 4000K CCTs
- Enlarged Driver Box for Easy Installation
- Bi-Level Dimming Options
- >80 Color Rendering Index (CRI)
- Calculated L70 >100,000hrs
- 0-10V Dimmable Driver (100%-10%)
- 120-277V Universal Voltage
- Type IC Rated for Insulation Contact
- 5 Year Warranty
- ETL Listed for Damp Locations
- DesignLights Consortium Qualified Luminaire
- Optional NSF-certified models are listed per NSF/ANSI Standard 2 – Light Fixture for Splash Zone and Non Food Zone



### SUITABLE APPLICATIONS

- Education
- Healthcare
- Commercial Office
- Storage Facility
- Retail
- Grocery Store
- Residential
- Commercial Kitchen
- Food Prep

### ORDERING GUIDE:

SERIES	LUMENS (select one)	DRIVER	CCT
VPAN14 1x4 Back-Lit Flat Panel	22L/27L/33L - Lumen Selectable	U 120-277V	40
	22L		35
	27L		
	33L		
VPAN22 2x2 Back-Lit Flat Panel	27L/33L/44L - Lumen Selectable		
	27L		
	33L		
	44L		
VPAN24 2x4 Back-Lit Flat Panel	33L/44L/55L - Lumen Selectable		
	33L		
	44L		
	55L		
	66L		

OPTIONS		CONTROLS	
Factory Installed		Basic	
NSF <sup>6</sup>	NSF Certified model	MWS <sup>3</sup>	Bi-Level Dimming Microwave Sensor
EM5	5W LED Factory Installed Battery Backup		
EM5/HE <sup>1</sup>	5W LED Factory Installed Battery Backup		
EM7	7W LED Factory Installed Battery Backup		
EM7/HE <sup>1</sup>	7W LED Factory Installed Battery Backup		
EM10	10W LED Factory Installed Battery Backup		
EM10/HE <sup>1</sup>	10W LED Factory Installed Battery Backup		
EM10/HE-SD <sup>1</sup>	10W LED Factory Installed Self-Diagnosing Battery Backup		
EM12	12W LED Factory Installed Battery Backup		
SD347 <sup>2</sup>	347V Step Down Transformer		
WHIP/xFT	Cord (x=ft)		
WHIP/xFT/4WIRE	Cord (x=ft) 4 wire w/ 3 leads attached to power & 1 lead for battery backup (non-dimming function)		
MC6/5W	Cord (x=ft) 5 wire w/ 3 leads attached to power and 2 lead attached to dimming		
WHIP/6FT/6WIRE	Cord (x=ft) 6 wire w/ 3 leads attached to power & 2 leads to dimming and 1 to battery backup		
BLD <sup>11,12</sup>	Bi-Level Dimming Driver		
	Ship With Accessories		
FLGK	Flange Mount Kit		
SM	Surface Mount Kit		
SLM	Skylight Mount Kit		
HB-XXX-LOOP <sup>5</sup>	Aircraft Cable Loop Set for Suspension Mounting		
MW/RC <sup>4</sup>	Programming Tool for MWUSB Sensor		

### Advanced

SNS200CMP <sup>7,8,9,10</sup>	EasySense Grouping Ceiling Mount Sensor
5E/CU/CL	Enlighted 5E Connected Lighting (CL) Sensor with Control Unit
5E/CU/IOT	Enlighted 5E Internet of Things (IOT) Sensor with Control Unit
VDO	Lutron Vive DFCSJ-OEM-OCC Daylight & Occupancy Control
VRF	Lutron Vive DFCSJ-OEM-RF Radio Frequency Communication Only

<sup>1</sup>CEC Title 20 Compliant

<sup>2</sup>Must be used with MW/RC option for commissioning

<sup>3</sup>Must select this option if NSF-certification is required

<sup>4</sup>One Sensor can be wired to up to (4) fixtures with SR Sensor Ready Driver Option

<sup>5</sup>Two sets required per fixture for suspension mounting

<sup>6</sup>One needed per project

<sup>7</sup>Must be used with ES/PCD for commissioning

<sup>8</sup>Must be used with SR Sensor Ready Driver

<sup>9</sup>Not available with the lumen selectable option

# VPAN

## Back-Lit Flat Panel



### QUICK SHIP ITEMS:

SERIES	LUMENS (select one)	DRIVER	CCT
VPAN14 1x4 Back-Lit Flat Panel	22L/27L/33L - Lumen Selectable	U 120-277V	40 35
VPAN22 2x2 Back-Lit Flat Panel	27L/33L/44L - Lumen Selectable		
VPAN24 2x4 Back-Lit Flat Panel	33L/44L/55 - Lumen Selectable 66L		

LED SYSTEMS INFORMATION <sup>1</sup>	3500K		4000K		Watts <sup>2</sup>	CRI	DLC Listing	Ambient Temp. Range	Replaces
	Part Numbers	Lumens	Efficacy	Lumens					
VPAN14-22L-U-XX	2,645 lm	125 lm/W	2,719 lm	129 lm/W	21W	>80	Standard	-4°F - 104°F	1T8
VPAN14-27L-U-XX	2,982 lm	124 lm/W	3,064 lm	129 lm/W	24W				2T8
VPAN14-33L-U-XX	3,547 lm	121 lm/W	3,644 lm	126 lm/W	29W				2T8
VPAN22-27L-U-XX	3,062 lm	125 lm/W	3,131 lm	127 lm/W	24W	>80	Standard	-4°F - 104°F	2T8
VPAN22-33L-U-XX	3,581 lm	123 lm/W	3,663 lm	125 lm/W	29W				2T8
VPAN22-44L-U-XX	4,612 lm	117 lm/W	4,719 lm	119 lm/W	39W				3T8
VPAN24-33L-U-XX	3,856 lm	133 lm/W	3,864 lm	136 lm/W	29W	>80	Standard	-4°F - 104°F	2T8
VPAN24-44L-U-XX	4,490 lm	131 lm/W	5,000 lm	133 lm/W	38W				3T8
VPAN24-55L-U-XX	6,052 lm	127 lm/W	6,064 lm	129 lm/W	47W				4T8
VPAN24-66L-U-XX	7,104 lm	120 lm/W	7,290 lm	123 lm/W	59W				-4°F - 95°F

<sup>1</sup>Values are nominal, see IES file for more detail

<sup>2</sup>Electrical data at 25C (77F). Actual wattage may differ by +/-10%

## SPECIFICATIONS

### CONSTRUCTION

Robust Die-Formed Housing and lens frame with White Post-Paint Finish for rigidity and durability. Formed and tightly constructed corners seal to housing to deter entrance of outside particles. Designed to achieve maximum performance and improved aesthetics.

### ELECTRICAL

Class 2 LED light engine for high efficacy and long life. Calculated L70 > 100,000hrs. Power Factor > 0.90. Standard 120-277 Vac 0-10V dimmable (10% - 100%). Optional 347V step down transformer. Lumen Selectable fixtures allow for ease of field lumen adjustment with switch located on top side of driver. Lumen Selectable fixtures ship at the highest lumen output. Optional Bi-level dimming module (50%).

### INSTALLATION

Designed for a variety of mounting solutions including recessed grid, flange and surface mount. VPAN fits into standard 15/16" T-grid ceiling. Standard integral T-grid clips affixed to housing for secure fixture to grid ceiling. Access plate installed on top of driver housing for ease of hardwire power connections. Optional factory installed power flex conduit whip (WHIP) available to reduce installation time.

### OPTICS

High transmission extruded PMMA frosted acrylic lens with excellent shielding for durability and LED glare reduction. Individual micro optics present over each LED chip to provide smooth uniform illumination.

### CONTROLS

Factory installed bi-level dimming microwave sensor to provide maximize energy savings when area is unoccupied. Sensor requires use of programming tool to set low end trim fixture output. Sensor installed behind lens. Advanced Control options also available and would be remotely mounted in the neighboring ceiling title.

### CERTIFICATIONS

ETL Listed to US and Canadian safety standards. Suitable for damp locations. Type IC Rated for Insulation Contact. Title 24 Compliant with sensor option; see local ordinance for qualification information. DLC (DesignLights Consortium) Standard Qualified. Please refer to the DLC Qualified Products List at [www.Designlights.org/QPL](http://www.Designlights.org/QPL) to confirm specific product qualifications. NSF certified models are listed per NSF/ANSI Standard 2 – Light Fixture for Splash Zone and Non Food Zone.

### WARRANTY

5 Year Warranty (Terms and Conditions apply)

# VPAN

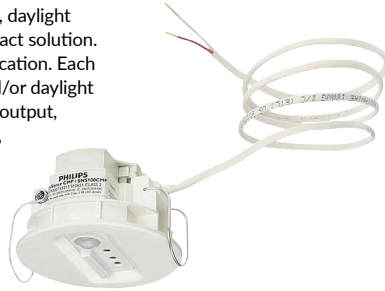
## Back-Lit Flat Panel

### ADVANCED CONTROLS OPTIONS

#### EASYSENSE

##### SNS200CMP

EasySense sensor combines occupancy sensing, daylight harvesting and institutional tuning in one compact solution. This is an ideal control for any commercial application. Each sensor allows you to turn on/off occupancy and/or daylight harvesting functions as well as set the full light output, background light level, occupancy prolong time, occupancy grace fading time & occupancy time out/hold time. Sensor designed to install in adjacent ceiling tile. Sensor can be wired to up to (4) fixtures with Sensor Ready (SR) Module. Requires use of EasySense Pre-Programmed Control Device (ES/PCD), or approved phone from compatibility list; one needed per project.



##### ES/PCD

Pre-Programmed EasySense Control Device. One needed per project. Sensor can also be programmed with the approved compatible cell phone (listed below).

##### Compatible Cell Phones:

- LG G4
- Samsung S4 Mini
- Samsung S4
- Samsung S5
- Samsung S6
- Samsung Note 4
- Samsung Note Edge 1

##### ES/WWS/DR

Optional Wireless / Batteryless Dual Rocker Wall Switch. Up to 100ft range. Functions include: On/Off, dimming and setting of (2) scenes for full room control.

##### Specifications:

- Wireless
- Batteryless
- Dual Rocker
- ZigBee®
- 30-100ft Range

##### Functions:

1. On (Hold to brighten up)
2. Off (Hold to dim down)
3. Scene 1
4. Scene 2



#### LUTRON

##### VDO

Vive DFCSJ-OEM-OCC integral fixture control sensor with daylight & occupancy. Vive provides intuitive programming allowing for maximum flexibility with wireless communication & sensing as desired. Provided with factory installed components only. Lutron system provided by others. Sensor must be used in conjunction with Pico Switch/Dimmer. Cannot be used in conjunction with mechanical on/off power switch. Contact factory for more information.



##### VRF

Vive DFCSJ-OEM-RF integral fixture control with Radio Frequency (RF) communication. Vive provides intuitive programming allowing for maximum flexibility with wireless communication as desired. Providing with factory installed components only. Lutron system provided by others. Sensor must be used in conjunction with Pico Switch/Dimmer. Cannot be used in conjunction with mechanical on/off power switch. Contact factory for more information.



#### ENLIGHTED

##### 5E/CU/CL

Bundled System with Enlighted 5E sensor (SU-5E-CL), Control Unit (CU-4E-FM) and Cable (CBL-5E-CU4-30N). Fixtures are controlled based on occupancy and ambient light. Includes individual lighting control plus connection to Enlighted Energy Manager. The Energy Manager provides data analysis for all data collected by the Enlighted Smart Sensors for energy, occupancy and environment. Provided with factory installed components only. Enlighted system provided by others. Contact factory for more information. (see image above)

##### 5E/CU/IOT

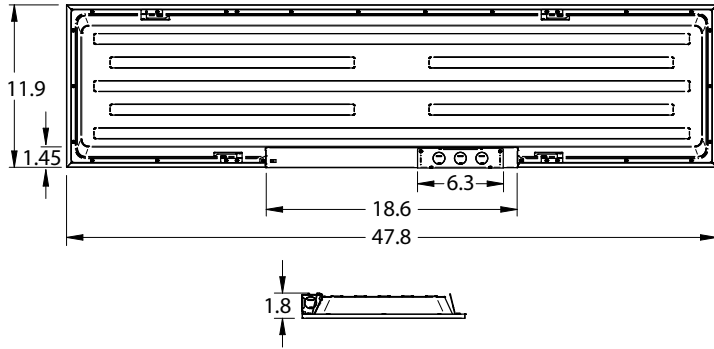
Bundled System with Enlighted 5E sensor (SU-5E-IOT), Control Unit (CU-4E-FM) and Cable (CBL-5E-CU4-30N). Fixtures are controlled based on occupancy and ambient light. Includes individual lighting control plus connection to Enlighted Energy Manager. Energy Manager provides data analysis for all data collected by Enlighted Smart Sensors for energy, occupancy & environment. Additionally, the IOT functionality takes the data access and function beyond just lighting to a wide range of applications beyond the standard connected lighting controls. Provided with factory installed components only. Enlighted system provided by others. Contact factory for more information. (see image above)

# VPAN

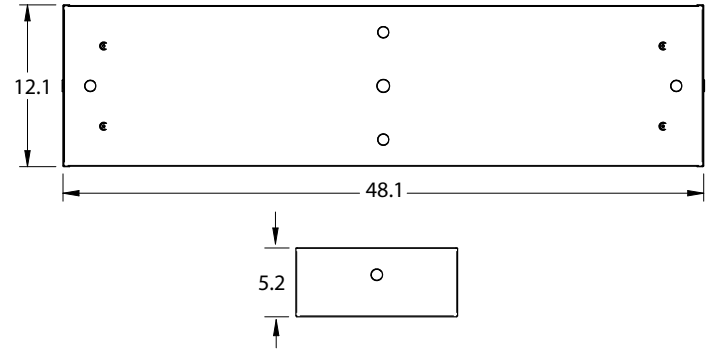
## Back-Lit Flat Panel

### LINE DRAWINGS

#### 1x4 Dimensions

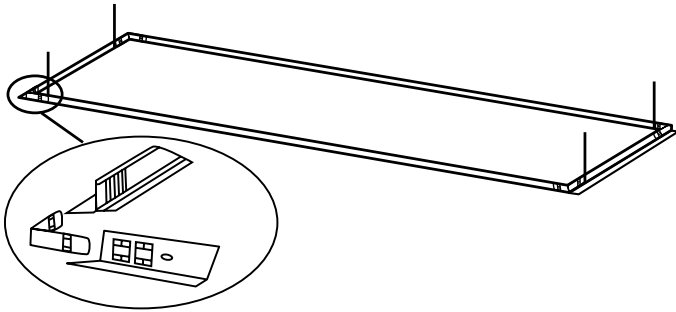


#### 1x4 Surface Mount Dimensions

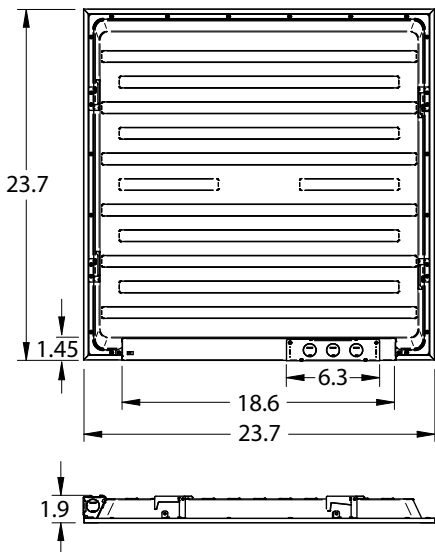


#### 1x4 Flange Kit

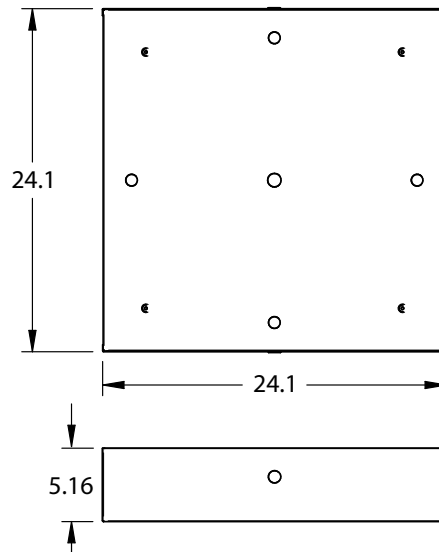
Ceiling opening is 12.25" x 48.25"



#### 2x2 Dimensions

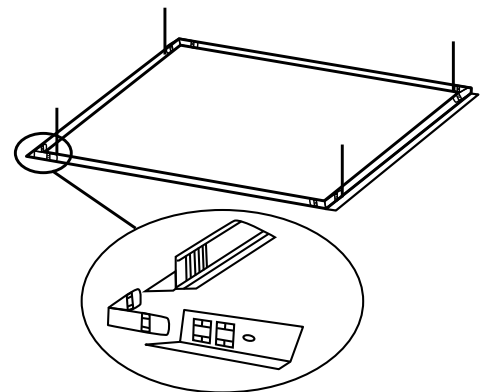


#### 2x2 Surface Mount Dimensions



#### 2x2 Flange Kit

Ceiling opening is 24.25" x 24.25"

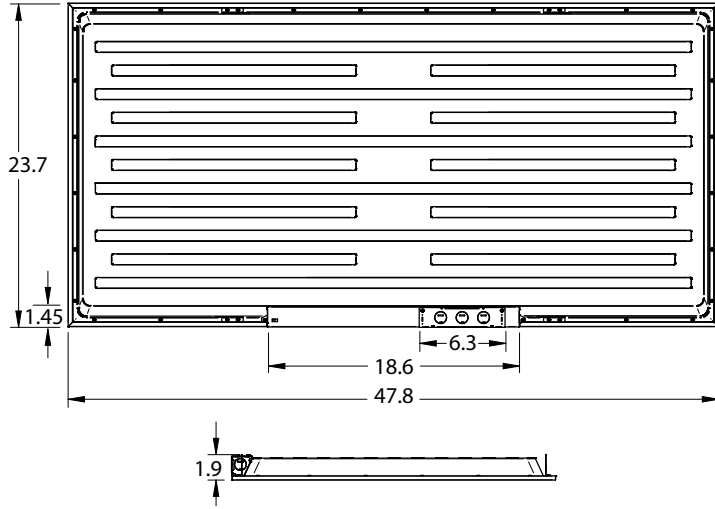


# VPAN

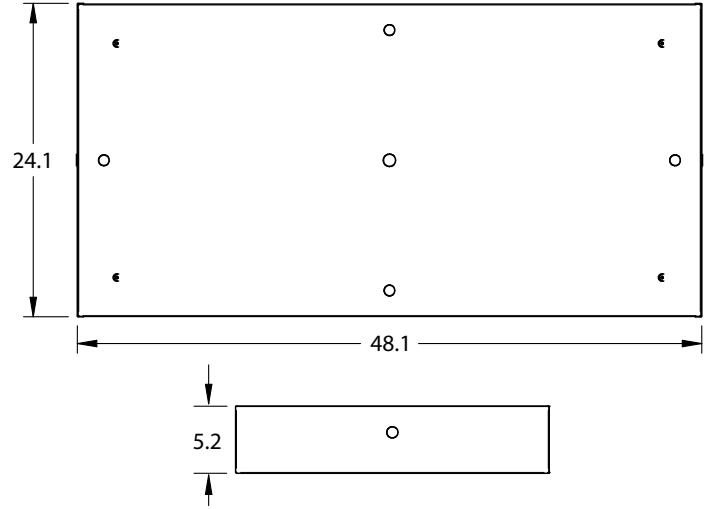
## Back-Lit Flat Panel

### LINE DRAWINGS

#### 2x4 Dimensions

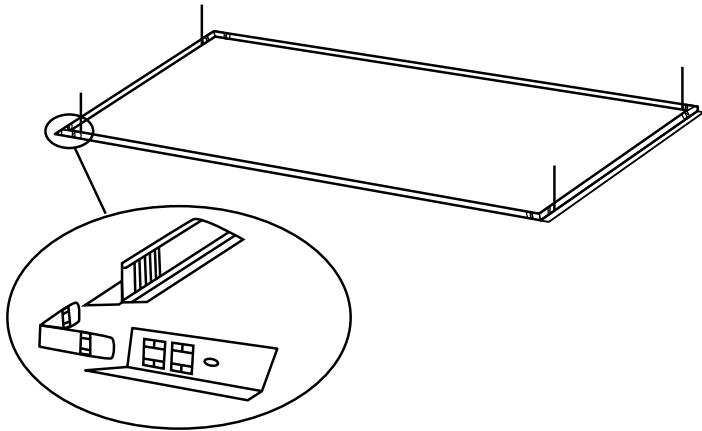


#### 2x4 Surface Mount Dimensions



#### 2x4 Flange Kit

Ceiling opening is 24.25" x 48.25"



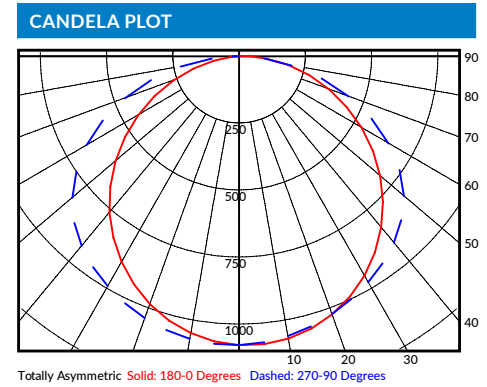
# VPAN

## Back-Lit Flat Panel

### PHOTOMETRIC DATA

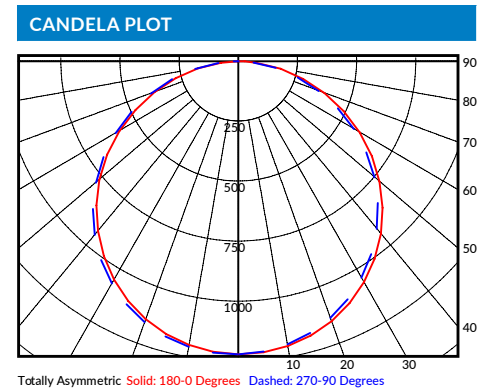
LUMINAIRE DATA	
Part Number	VPAN14-27L-U-40
Description	1x4 Back-Lit Flat Panel, 3,000 Lumens, 4000K
Fixture Lumens (lm)	3,098 lm
Wattage (W)	25 W
Efficacy (lm/W)	125 lm/W
Mounting	Recessed

ZONAL LUMEN SUMMARY		
Zone	Lumens (lm)	% Fixture
0° - 40°	1,271	41%
0° - 60°	2,337	75%
0° - 90°	3,098	100%
90° - 180°	0	0%
0° - 180°	3,098	100%



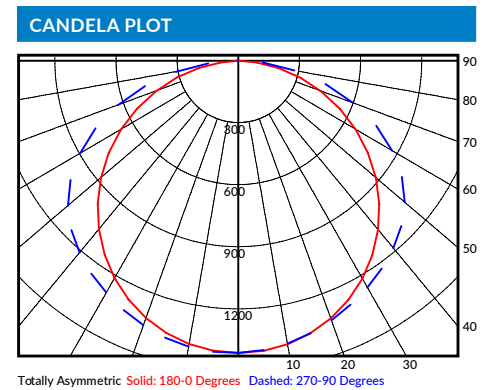
LUMINAIRE DATA	
Part Number	VPAN22-33L-U-40
Description	2x2 Back-Lit Flat Panel, 3,700 Lumens, 4000K
Fixture Lumens (lm)	3,724 lm
Wattage (W)	30 W
Efficacy (lm/W)	126 lm/W
Mounting	Recessed

ZONAL LUMEN SUMMARY		
Zone	Lumens (lm)	% Fixture
0° - 40°	1,585	43%
0° - 60°	2,855	77%
0° - 90°	3,724	100%
90° - 180°	0	0%
0° - 180°	3,724	100%



LUMINAIRE DATA	
Part Number	VPAN24-44L-U-40
Description	2x4 Back-Lit Flat Panel, 4,700 Lumens, 4000K
Fixture Lumens (lm)	4,638 lm
Wattage (W)	37 W
Efficacy (lm/W)	124 lm/W
Mounting	Recessed

ZONAL LUMEN SUMMARY		
Zone	Lumens (lm)	% Fixture
0° - 40°	1,866	40%
0° - 60°	3,464	75%
0° - 90°	4,638	100%
90° - 180°	0	0%
0° - 180°	4,638	100%



LUMINAIRE DATA	
Part Number	VPAN24-66L-U-40
Description	2x4 Back-Lit Flat Panel, 6,900 Lumens, 4000K
Fixture Lumens (lm)	6,945 lm
Wattage (W)	60 W
Efficacy (lm/W)	117 lm/W
Mounting	Recessed

ZONAL LUMEN SUMMARY		
Zone	Lumens (lm)	% Fixture
0° - 40°	2,803	40%
0° - 60°	5,194	75%
0° - 90°	6,945	100%
90° - 180°	0	0%
0° - 180°	6,945	100%

